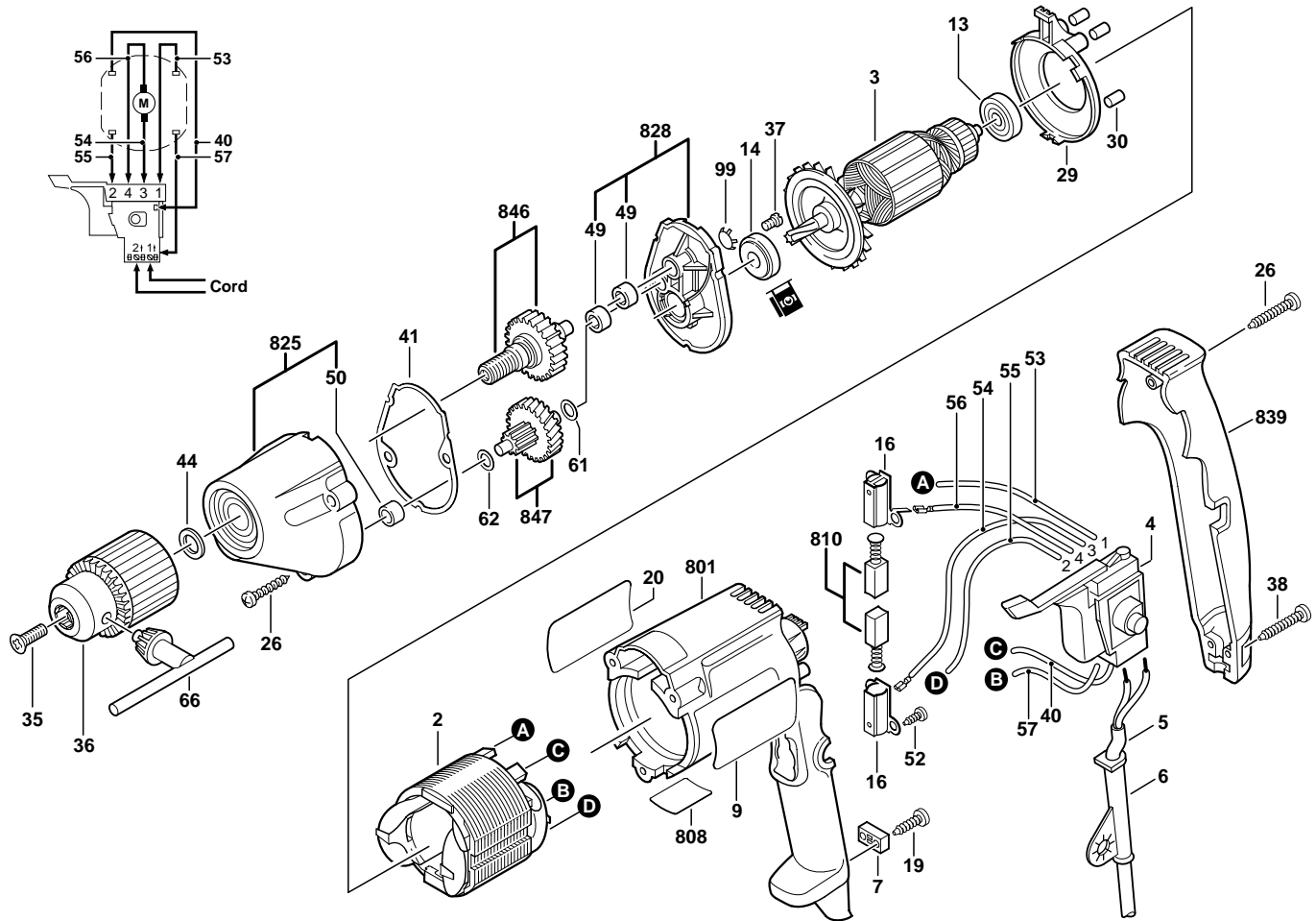


BOSCH

August 1997
INDUSTRIAL

3/8" DRILL
Model 0601020734

1020VSR
(.734)



Pos.	Part Number	Description {Qty}	F/C	Pos.	Part Number	Description {Qty}	F/C
2	2 610 910 309	Field 120V		49	3 600 910 505	Needle Bearing {2}	56
3	2 610 910 307	Armature w/Fan 120V	AW	50	3 600 910 506	Needle Bearing	56
4	3 607 200 523	Switch VSR	17	52	2 910 611 405	Screw {4}	89
5	3 604 460 555	Cord 120V 18/2	11	53	3 604 448 501	Cable 117mm	10
6	2 600 707 060	Strain Relief	11	54	3 604 448 502	Cable 48mm	10
7	2 601 035 001	Cord Clamp	89	55	3 604 448 503	Cable 78mm	10
9	2 610 906 804	Label "1020VSR"	9	56	3 604 448 504	Cable 88mm	10
13	1 900 905 018	Ball Bearing	60	57	3 604 448 505	Cable 122mm	10
14	2 600 905 021	Ball Bearing	61	61	2 600 100 607	Shim 0.3mm	65
16	2 604 337 003	Brush Holder {2}	25	62	2 600 101 654	Washer	65
19	2 910 611 019	Screw {2}	89	66	3 608 571 539	Chuck Key	9
20	2 610 906 850	Label "Caution"	9	99	3 600 171 504	Lock Washer	89
26	2 910 615 082	Screw {4}	89	801	3 605 108 557	Motor Housing	71
29	3 600 590 505	Baffle	24	808	3 601 119 718	Nameplate	9
30	3 602 391 503	Rubber Buffer {3}	24	810	2 604 321 914	Brush Set	26
35	3 603 430 507	Rev. Screw	85	825	3 605 190 513	Gear Housing Assembly w/pos. 50	72
36	3 608 571 538	3/8" Keyed Chuck	91	828	3 605 806 537	Intermediate Plate Assy. w/pos. 49	38
37	2 914 411 045	Screw {2}	89	839	3 605 133 521	Handle Cover	74
38	2 910 615 022	Screw {2}	89	846	3 606 120 553	Spindle 3/8"-24 w/Gear	32
40	3 604 448 500	Cable 162mm	10	847	3 606 319 520	Gear w/Pinion	31
41	3 601 016 502	Gasket	79				
44	3 600 102 505	Washer	65				

+ = Not Illustrated * = As Required F/C = Failure Code AW = Refer to AW Labor Time Chart

S-B Power Tool Company Chicago IL 60646-5999

To: All Authorized and Factory Service Centers,
 Field Sales and Internal Support Personnel

Re: Switch Change for models

1000VSR	1021VSR	1028VSR	1420VSR	B6100
1001VSR	1022VSR	1029VSR	1420VSRSL	B6270
1002VSR	1023VSR	1404VSR	1421VSR	B6280
1003VSR	1026VSR	1404VSRSL	1422VSR	B6950
1020VSR	1027VSR	1405VSR	1422VSRQ	B6980

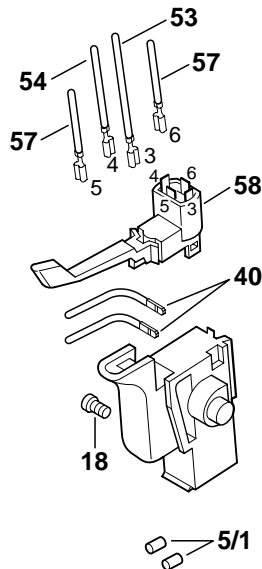
Please insert this bulletin into the "Technical Bulletins" section of your Bosch Parts Manual, only after making any additions or notes to your Illustrated Parts List(s).

Please be advised that a new switch configuration has been introduced for the above listed models. This change will take place in newer produced versions and effects all service requirements.

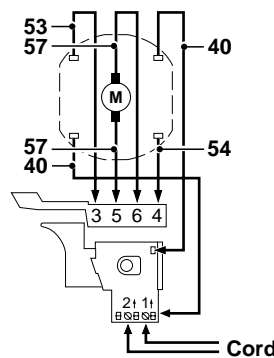
Switch Kit 2 610 994 891 contains:

<u>Pos.</u>	<u>Part Number</u>	<u>Description</u>
5/1	1 900 452 012	Terminal Sleeve {2}
18	2 603 410 001	Screw {2}
40	2 604 448 146	Cable 110mm {2}
53	2 604 448 137	Cable 80mm
54	2 604 448 100	Cable 68mm
57	2 604 448 104	Cable 60mm {2}
58	2 607 200 338	Reverse Switch

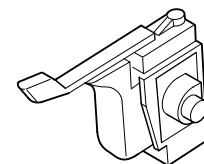
Use 2 610 994 891
 Switch Kit



New Wiring Diagram



Old 3 607 200 523
 No Longer Available



Note: The terminal sleeves (pos. 5/1) need to be installed on the tips of the power cord to insure a good connection with the switch. Rotation adjustments are accomplished by swapping the brush cables on the reverse switch (locations 5 & 6).

All questions should be directed to your Authorized Service Manager.

Product Service Department