



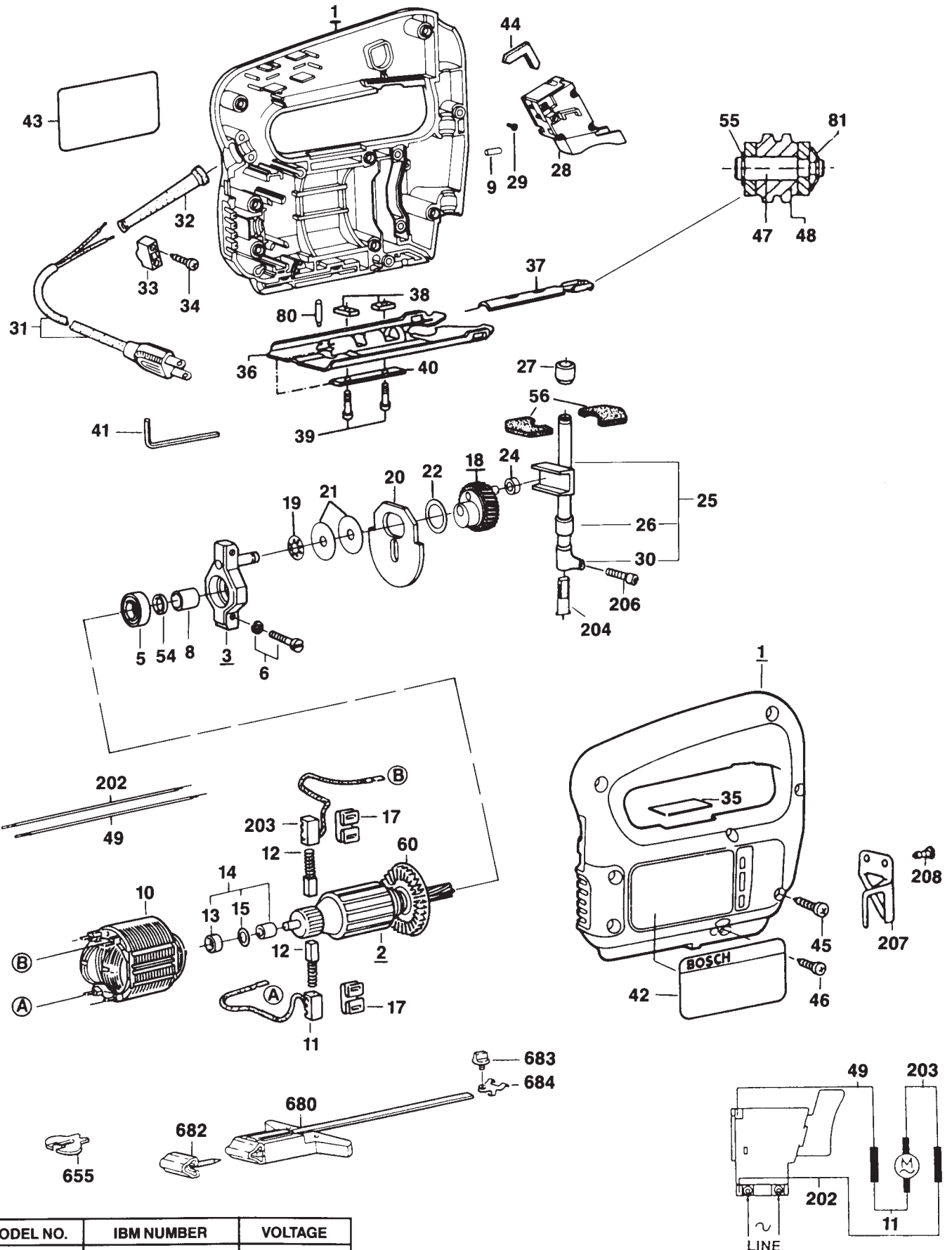
BOSCH

UNIVERSAL SHANK JIGSAW 3230 VS

PARTS LIST

DOUBLE INSULATED

ISSUED JUNE 1990



MODEL NO.	IBM NUMBER	VOLTAGE
3230 VS	060 3230 439	115V

Universal Shank Jigsaw 3230 VS

POS. NO.	PART NO.	QTY.	DESCRIPTION	POS. NO.	PART NO.	QTY.	DESCRIPTION
1	2 605 104 149	1	Housing	36	2 601 016 014	1	Foot plate
2	2 604 010 557	1	Armature w/fan	37	2 608 135 901	1	Roller guide ass'y w/Pos #47, 48, 55, 81
3	2 605 807 905	1	Flange w/Pos #5	38	2 601 030 006	2	Square nut
5	2 600 905 021	1	Bearing	39	2 910 141 126	2	Screw
6	2 914 500 009	2	Screw/washer	40	2 601 032 017	1	Plate
8	2 600 400 024	1	Sleeve	A41	1 907 950 004	1	Allen key 3mm
9	2 603 201 020	2	Needle	42	2 601 110 916	1	Label (caution)
10	2 604 220 391	1	Field	43	2 601 110 915	1	Label (3230VS)
11	1 604 449 002	1	Brush holder w/cable	44	2 601 022 000	1	Foam buffer
12	2 604 321 904	1	Brush set	45	2 910 611 020	8	Screw
13	1 600 205 023	1	Felt	46	2 910 611 018	1	Screw
14	1 600 301 900	1	Bushing w/Pos #13,15	47	See Pos #37	1	Axle
15	1 610 210 014	1	O-ring	48	See Pos #37	1	Roller
17	2 604 690 007	2	Spring clip	49	2 604 448 120	1	Cable 213mm
18	2 606 319 073	1	Gear	54	2 600 103 013	1	Washer
19	2 600 150 050	1	Disc washer	55	2 916 080 006	1	Circlip
20	2 601 098 004	1	Counterweight	56	2 601 020 007	4	Felt
*21	2 600 102 658	1	Shim 0.5mm	60	2 606 610 022	1	Fan
*21.1	2 600 102 656	1	Shim 0.2mm	80	2 603 120 019	1	Pin
22	2 600 101 673	1	Shim 0.9mm	81	2 600 116 011	1	Spring clip
24	2 600 311 018	1	Bushing	202	2 604 448 121	1	Cable 268mm
25	2 600 780 040	1	Plunger ass'y w/Pos #26, 30	203	2 604 449 006	1	Brush holder w/cable
26	See Pos #25	1	Bushing	204	2 603 104 002	1	Clamping piece
27	2 600 301 049	1	Bushing	206	2 603 414 004	1	Screw
28	2 607 200 208	1	VS switch	207	2 601 322 009	1	Blade guard
29	2 603 410 001	2	Screw	208	2 910 611 017	2	Screw
30	See Pos #25	1	Blade clamp	+ A651	3 605 438 509	1	Metal case
31	1 604 460 022	1	Cord	A655	2 607 010 079	1	Anti-splinter device
32	2 600 703 008	1	Strain relief	A680	2 607 001 069	1	Cutting guide
33	2 601 035 001	1	Cord clamp	682	2 608 040 028	1	Bumper
34	2 910 611 019	2	Screw	683	2 603 490 001	1	Thumb screw
35	2 601 105 052	1	Name plate	684	2 601 314 004	1	Clip

Service Notes