

BOSCH

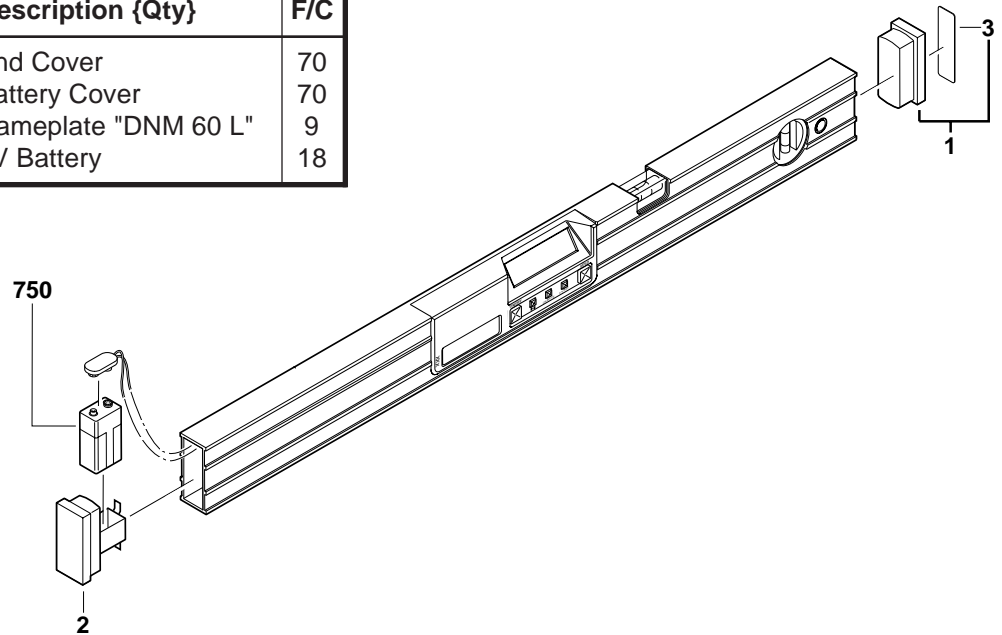
May 1997
INDUSTRIAL

24" DIGITAL LEVEL

Model 0603096107

DNM 60 L

Pos.	Part Number	Description {Qty}	F/C
1	1 607 000 313	End Cover	70
2	1 609 203 525	Battery Cover	70
3	1 601 118 733	Nameplate "DNM 60 L"	9
750	local purchase	9V Battery	18



BOSCH

May 1997
INDUSTRIAL

48" DIGITAL LEVEL

Model 0603096108

DNM 120 L

Pos.	Part Number	Description {Qty}	F/C
1	1 607 000 314	End Cover	70
2	1 609 203 525	Battery Cover	70
3	1 601 118 734	Nameplate "DNM 120 L"	9
750	local purchase	9V Battery	18

