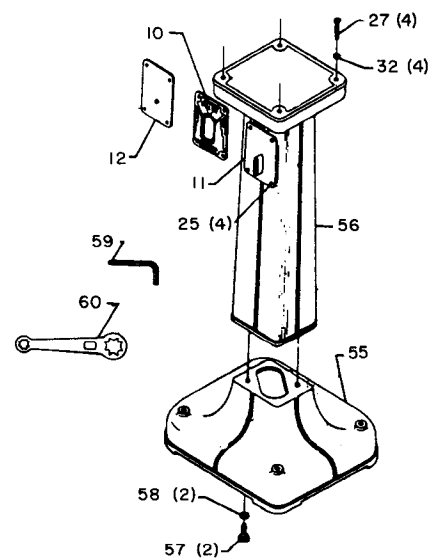


23-025 TWIN-LITE SAFETY SHIELD
(WITHOUT BULBS) 2 REQUIRED



23-805 PEDESTAL

REPLACEMENT PARTS

Ref. No.	Part No.	Description	Ref. No.	Part No.	Description
1	Cannot Furnish	Base	35	904-02-010-1716	7/16" Split Lockwasher
2	412-01-054-5005	Wheel Guard (L.H.)	36	438-01-629-5001	2 Pole Toggle Switch
3	412-01-054-5004	Wheel Guard (R.H.)	38	1201141	Power Cord 115-V
4	406-01-103-0002	Inner Flange	39	438-01-004-0004	1/2" Box Connector
5	412-01-054-5003	Guard Plate	*	23-025	Lamp Attachment Const. OF:
6	412-01-036-5002	Deflector Plate	40	Cannot Furnish	Insulating Bushing
7	412-01-103-5004	Flange	41	412-01-053-5001	Lamp Shade Glass
8	902-01-200-9848	.656-12, L.H. Acme Thd. Nut	42	412-01-054-5006	Lamp Shade
9	412-01-031-5006	Base Shield	43	Cannot Furnish	Cord and Socket
10	Cannot Furnish	3 Phase Switch Nameplate	44	438-01-307-0005	Lamp Socket Assy.
11	412-01-331-5001	Switch Plate w/Shield	45	Cannot Furnish	Reflector
12	Cannot Furnish	Switch Plate for Toggle	46	412-01-031-5003	Bottom Cover Plate
13	412-01-379-5001	Felt Retainer, Incl:	47	412-01-079-5001	Bow Spring
14	904-01-021-3551	1-1/8" X 1-17/32 X .025 Washer	48	438-01-004-0022	Cord Clamp
15	908-01-010-5255	7/8" Felt Washer	49	438-01-002-0020	Rubber Cable, 27" Long
*	412-01-391-5003	Tool Rest Const. Of:	50	904-01-031-2925	29/64 X 3/4 X 1/16" Washer
17	904-07-010-5560	Fiber Washer	51	901-02-010-0554	#8-32 X 1/2" Rd. Hd. Scr.
18	412-01-014-5002	Tool Rest Slide Arm	52	901-02-010-0571	#8-32 X 1-1/2" Hd. Scr.
19	412-01-091-5001	Tool Rest	53	901-01-060-0675	7/16-20 X 3" Hex Hd. Scr.
20	901-01-060-0658	3/8-24 X 1" Hex Hd. Scr.	54	438-01-007-0003	#73 Ideal Wire Nut
21	412-01-376-5001	Water Pot	*	23-805	Pedestal, Const. Of:
22	412-01-014-5001	Water Pot Bracket	55	412-01-055-5002	Base
23	Nameplate	By Request Only	56	Cannot Furnish	Center Section
24	902-01-201-2571	5/8"-12 Acme Thread, Hex Jam Nut	57	901-01-060-0672	1/2-20 X 1-1/4" Hex Hd. Scr.
25	901-02-010-0551	#10-32 X 1/4" Rd. Hd. Scr.	58	904-02-020-1705	1/2" Split Lockwasher
27	901-01-060-0613	5/16-18 X 1-3/4" Hex Hd. Scr.	59	Cannot Furnish	7/32" Hex Wrench
28	901-01-060-0663	5/16-24 X 11/16" Hex Hd. Scr.	60	43-524	9/16 and 7/8" Hex Box Wrench
29	901-02-050-0709	#10-32 X 1/4" Fil. Machine Scr.	61	23-280	Lamp Bulb
30	901-03-010-0750	5/16-18 X 1" Hex Hd. Scr.	62	Cannot Furnish	Motor
31	902-01-040-1026	3/8"-16 Hex Nut	63	23-815	Grinding Wheel
32	904-01-010-1604	5/16" Steel Washer	64	23-816	Grinding Wheel
33	904-01-010-1605	3/8" Steel Washer			
34	904-02-010-1701	3/16" Lockwasher	*	NOT SHOWN ASSEMBLED	