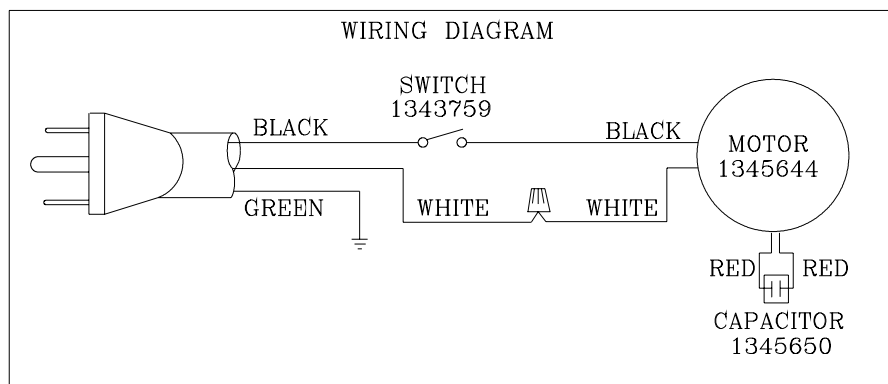


REPLACEMENT PARTS

Ref.	No.	Part No.	Description	Ref.	No.	Part No.	Description
	1	1345624	LEVER		37	1243394	M5 X 10MM CHEESE HD SCREW
	2	1310135	M4 X 8MM FLAT HD SCREW		38	1343538	M5.1 LOCK WASHER
	3	1343545	M4.1 FLAT WASHER		39	1246102	M5.3 FLAT WASHER
	4	1345625	SPRING		40	1345645	POWER CORD
	5	1310155	M5 X 8MM CHEESE HD SCREW		41	1345646	GROMMET
	6	1343538	M5.1 LOCK WASHER		42	1345647	PLATE
	7	1246102	M5.3 FLAT WASHER		43	1345648	SWITCH PLATE
	8	1347657	M5 X 8MM HEX SOC SET SCREW		44	901-06-121-7383	#10-24 X 3/8" PAN HD SCREW
	9	1345626	BRACKET		45	1320101	M5.3 EXT TOOTH WASHER
	10	1348206	M4 X 30MM SPRING PIN		46	1343759	SWITCH, INCL:
	11	1345628	BRAKE		47	400-06-068-0002	SWITCH KEY
	12	n 900898	LEVER, T2		48	1348002	KEY
		1345635	LEVER, T1		49	1086894	BALL BEARING
	13	1243526	M8.4 FLAT WASHER		50	1345649	COVER
	14	n 900963	SCALE, T2		**	1345650	CAPACITOR (200 UF)
		1345634	SCALE, T1		51	1246177	M4 X 6MM CHEESE HD SCREW
	15	1310016	5MM DRIVE SCREW		52	1320102	M4.3 EXT TOOTH WASHER
	16	1340243	M4 X 10MM HEX SOC HD SCREW		53	1243456	M6 HEX NUT
	17	1345633	GLIDE		54	1246140	M6.4 FLAT WASHER
	18	n 900897	TRUNNION, T2		55	1246140	M6.4 FLAT WASHER
		1345632	TRUNNION, T1		56	1243456	M6 HEX NUT
	19	1345631	SPECIAL SCREW		57	1345637	FOOT
	20	1330151	M6 X 35MM HEX HD SCREW		58	1246090	M6 X 30MM CHEESE HD SCREW
	21	1243456	M6 HEX NUT		60	n 31-264	DISC
	22	1345630	BLOCK		61	1345639	SEAL
	23	1330151	M6 X 35MM HEX HD SCREW		62	1345640	SPECIAL WASHER
	24	1243456	M6 HEX NUT		63	1345600	M6 X 22MM FLAT HD SCREW
	25	1345629	STOP BRACKET		64	1345642	HOSE ASSY
	26	1246177	M4 X 6MM CHEESE HD SCREW		65	1345641	DUST CHUTE
	27	1345636	POINTER		66	1246140	M6.4 FLAT WASHER
	28	1246153	M6 X 25MM HEX HD SCREW		67	1246045	M6 X 10MM CHEESE HD SCREW
	29	n 900895	FRAME, INCL.; T2		68	n 900896	TABLE, INCL.; T2
		1345627	FRAME, INCL.; T1			1345643	TABLE, INCL.; T1
	30	n 900905	WARNING LABEL, T2		69	1346109	NAMEPLATE, T1 ONLY
		1346108	WARNING LABEL, T1		69A	1310016	5MM DRIVE SCREW
	30A	1310016	5MM DRIVE SCREW		70	1343451	M6 X 25MM FLAT HD SCREW
	31	n 900903	NAMEPLATE, T2		71	422-29-101-0002	4MM HEX WRENCH
		1346109	NAMEPLATE, T1		72	n 1343918	8MM X 10MM OPEN END WRENCH
	31A	1310016	5MM DRIVE SCREW		**	NOT SHOWN	
	32	1346144	ROTATION LABEL				
	32A	1310016	5MM DRIVE SCREW				
	35	1345644	MOTOR ASSY, INCL:				
	36	1345606	M5 X 160MM HEX HD SCREW				



STANDARD SAFETY EQUIPMENT

In order to promote tool safety, Delta Machinery strictly enforces the policy of repairing or replacing any damaged or missing standard safety equipment on machines presented to Delta Authorized Service Centers for service/repairs. Any product that is presented to a Delta Authorized Service Centers for repairs which contains missing or damaged standard safety equipment will have that equipment repaired or replaced and the customer will be charged for any such service/repairs. Customers can avoid such charges only if the missing safety component is supplied to the service center at the time of repair.

This parts list is provided to aid in obtaining service parts. Copies of the instruction and maintenance literature can be obtained through the Delta Technical Publications Department or through your service outlet.