



SERVICE PARTS LIST

BUL. 54-00-0410

ALTERNATOR BASE

REVISED BUL
6386-1

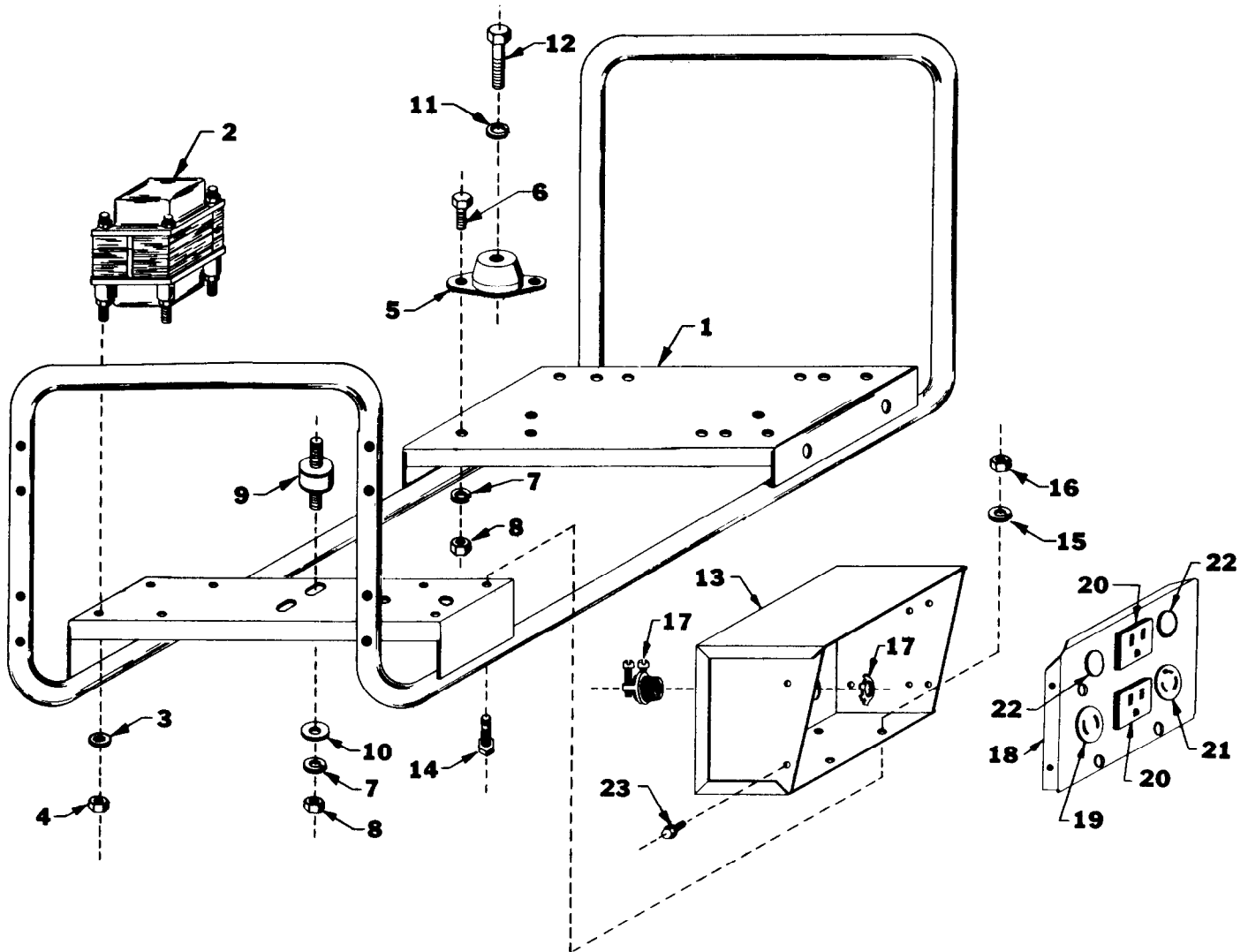
DATE
Nov. '68

Catalog No. **4710**

Starting
Serial No. **386-1001**

WIRING INSTR.

Both Model and Serial No. must be furnished to obtain correct parts.



Item	Part No.	Description	Req'd	Item	Part No.	Description	Req'd
1	42-20-0260	Mounting Base	1	13	22-12-0110	Outlet Box - Back	1
★2	23-81-0140	Reactor Assembly	1	★14	06-75-0100	1/4-20x3/4" Hex. Hd. Capscrew	4
3	06-97-3400	No. 10 Shakeproof - Internal	4	15	06-97-3800	1/4 Lockwasher	4
4	06-55-1100	No. 10 - 32 Hex Nut	4	16	06-55-1500	1/4 - 20 Hex. Nut	4
5	43-33-0270	Vibration Dampner	4	17	22-56-0140	3/8 Straight Connector	2
6	06-75-0300	5/16-18x3/4 Hex. Hd. Capscrew	8	18	22-68-0100	Outlet Box - Front	1
7	06-97-4100	5/16 Lockwasher	9	19	23-33-0150	115-V. Twist Lock Outlet	1
8	06-55-1980	5/16-18 Hex. Nut	9	20	23-33-0130	115-V. Outlet	2
9	43-33-0275	Vibration Dampner	1	21	23-33-0160	230-V. Twist Lock Outlet	1
10	45-88-5245	5/16 Flat Washer	1	22	44-68-0090	Plug Button	2
11	06-97-4125	3/8 Lockwasher	4	23	06-81-4650	No. 10-32x3/8 Rd. Hd. Scr.	4
12	06-75-0575	3/8-16x1-1/2" Hex. Hd. Capscrew	4				