



SERVICE PARTS LIST

BUL. 54-32-1001

7" POLISHER

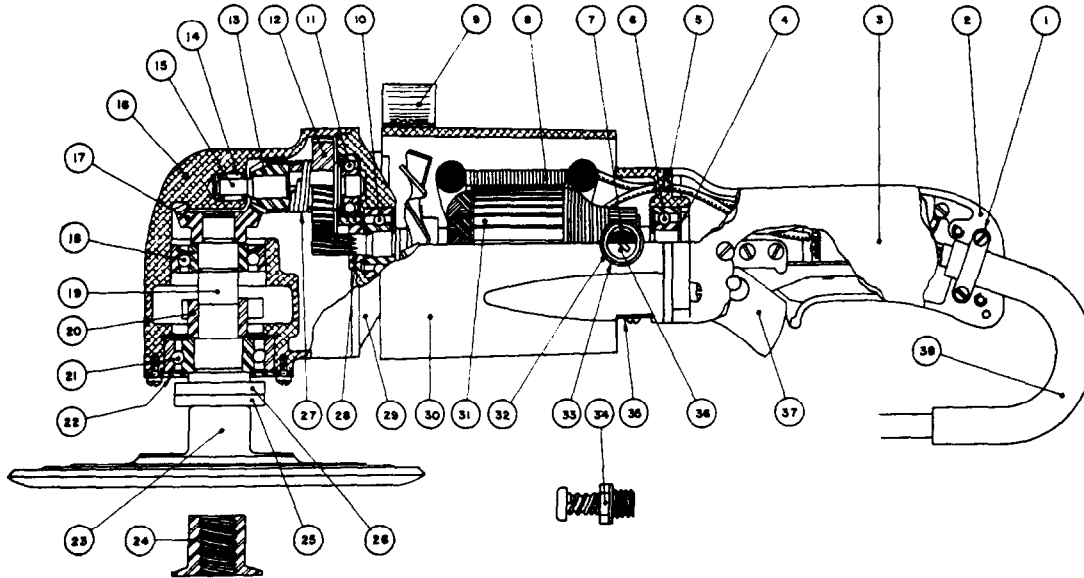
REVISED BUL 6100-2 DATE Feb. '68

MODEL NO. P-175

Starting Serial No. **100-1425**

WIRING INSTR.

Both Model and Serial No. must be furnished to obtain correct parts.



| Item | Part No. | Name of Part | Price | Item | Part No. | Name of Part | Price |
|------|----------|--|-------|------|----------|-------------------------------------|-------|
| 1 | 7UPV1-5 | Cord Clamp Strap | | 20 | 3UP8-3 | Spindle Locking Cog | |
| 2 | 7UPV1-1 | Handle (Switch Mounting Side) | | 21 | WC87504 | Spindle Ball Bearing (lower) | |
| 3 | 7UPV1-2 | Handle (Switch Cover Side) | | 22 | 3UP8-3 | Ball Bearing Retaining Washer | |
| 4 | 6UPV1-9 | Body End Play Disc | | 23 | 75P-180 | Rubber Backing Pad | |
| 5 | 6UPV1-3 | Handle Insulator | | 24 | 75P16-2 | Disc Nut (5/8-11 thr'd) | |
| 6 | WC8009 | Armature Ball Bearing (Comm. End) | | 25 | 3UP8-2A | Hub Rubber Washer | |
| 7 | 38M-370 | Carbon Brush Assemblies (per set) | | 26 | 3UP8-1A | Hub Steel Washer | |
| 8 | 38M-700 | Field Assembly | | 27 | 75P13-2 | Drive Spring | |
| ★ 9 | 75P1-1A | Tool Rest | | 28 | 75P6-9 | Grease Slinger | |
| 10 | WC8500 | Armature Ball Bearing (Pinion End) | | 29 | 75P-2 | Diaphragm | |
| 11 | N.D.7039 | Intermediate Shaft Ball Bearing | | ★ 30 | 75P-1A | Motor Housing | |
| 12 | 75P-14 | Intermediate Gear | | 31 | 75P-600 | Armature Assembly | |
| 13 | 75P13-1 | Pinion Gear (Sold only with 75P-11 as a set) per set | | 32 | 38M-320 | Brush Holder Assemblies (per set 2) | |
| 14 | B-47 | Intr. Shaft Needle Bearing | | 33 | 38M-33 | Brush Holder Bushing | |
| 15 | 75P-13 | Intermediate Shaft | | 34 | 3UP-900 | Spindle Lock Assembly | |
| 16 | 75P-3 | Gear Case | | 35 | 75P1-2 | Commutator Cover Plate | |
| 17 | 75P-11 | Bevel Gear (see item 13) | | 36 | 3A-40 | Brush Retaining Cap | (2) |
| 18 | N.D.3203 | Spindle Ball Bearing (upper) | | 37 | 8909K200 | Switch Assembly | |
| 19 | 75P-8 | Spindle | | 38 | 88D-28 | Cord Protector Tube | |

MISCELLANEOUS PARTS (NOT SHOWN)

| Size or Part No. | Description of Part | Price | Size or Part No. | Description of Part | Price |
|-----------------------|---|-------|-----------------------|-----------------------------------|-------|
| P-175 | Name Plate | | #8-32x5/16" Bind. Hd. | Switch Mounting Screws | (2) |
| #16 | Cord (3-wire) per foot | | #6-32x1/4" (Brass) | Rd. Hd. Ground Wire Screw | (1) |
| 75P-41 | Wooden Side Handle Assembly | | #3-32x1" Oval Hd. | Handle Cover Screw | (1) |
| 3 Prong | Attachment Plug | (1) | #8-32x7/16" Fil.Hd. | Cord Clamp Strap Screws | (2) |
| 10-24x1/2" Fil. Hd. | Sem. Tool Rest Screw | (2) | #8-32x2-1/8" Fil.Hd. | Field Screws | (2) |
| #12-24x3/4" Fil. Hd. | Switch Handle Screws | (4) | #6-32x1/4" Rd. Hd. | Commutator Cover Screws | (2) |
| 10-24x1-3/4" Fil. Hd. | Gear Case Screws | (4) | #6-32x5/16" Fil. Hd. | Ball Brg. Retaining Washer Screws | (6) |
| #8-32x7/8" Oval Hd. | Handle Cover Screws | (2) | #4-36x3/16" Rd. Hd. | Name Plate Screws | (2) |
| 1/4-20x3/8" Unbrako | Knurled Point Socket Hd., Hd'less Brush Holder Set Screws | (2) | | | |