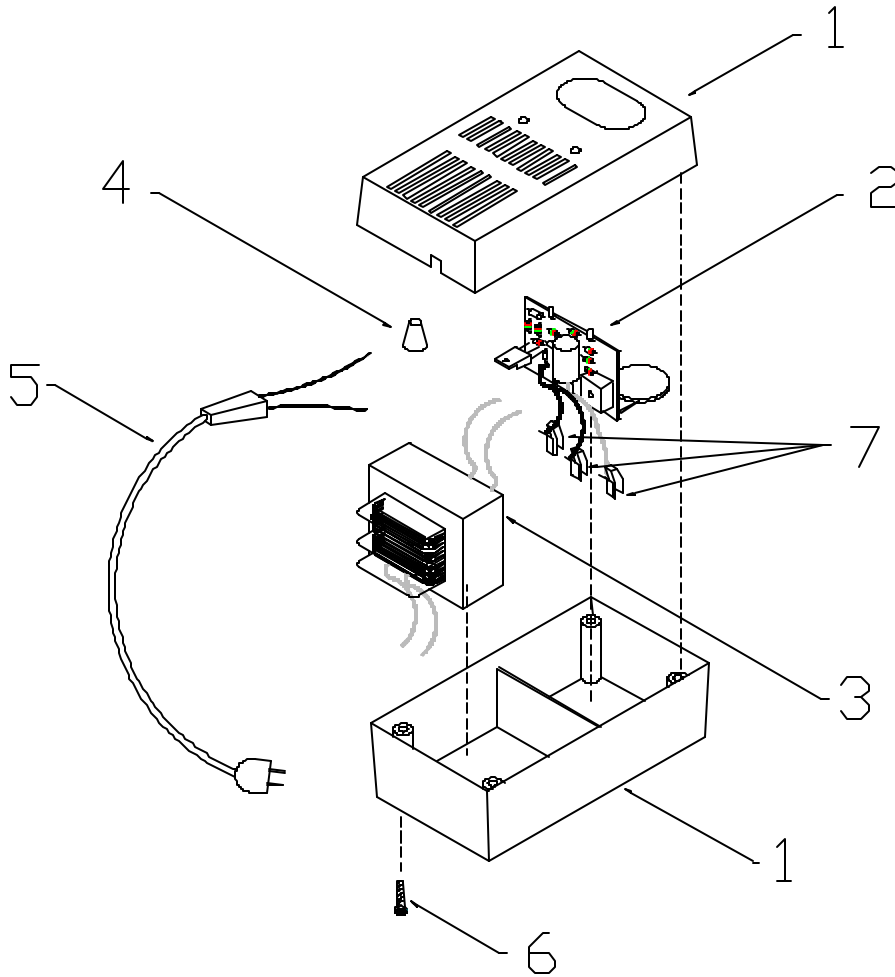


## BATTERY CHARGER

For Use With P-C Model 8500 Only



Ref. No.	Part No.	Description
1	877655	Housing Set
2	877527	Circuit Board Assy., Incl. Ref. 7
3	877526	Transformer
4	682063	Wire Connector
5	n 885051	Cord
6	694015	Screw
7	877530	Contact