

# PORTER-CABLE

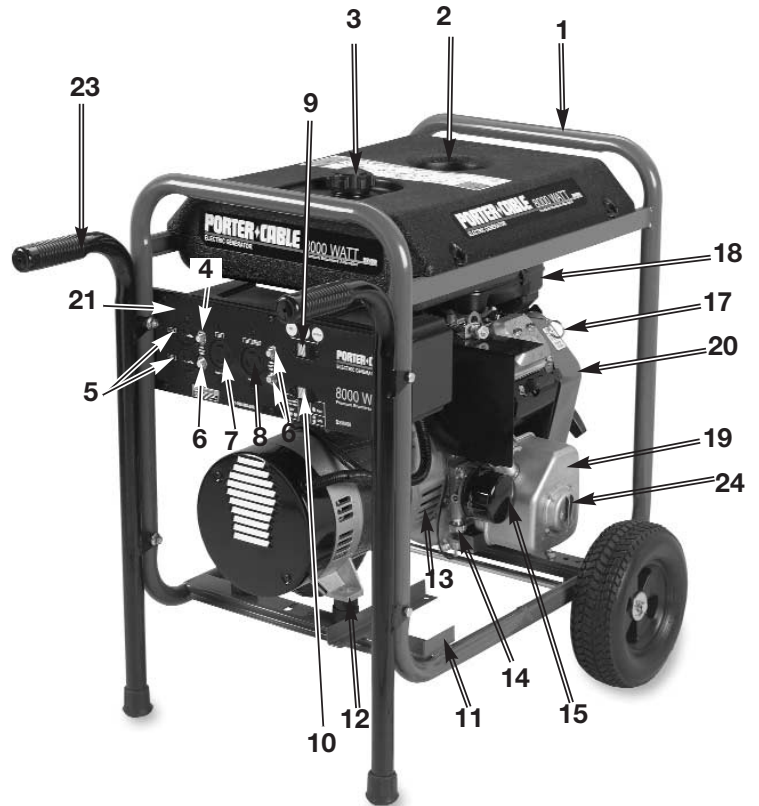
## GENERATOR

# BSV800-1

**WARNING:** Electrical repairs should only be attempted by trained repairmen. Contact the nearest Porter-Cable Service Center or other competent repair center.

### Parts Identification

1. **Frame Assembly**
2. **Fuel Tank**
3. **Fuel Cap**
4. **Circuit Breaker-120/240V 20 AMP**
5. **Receptacle-120V 20 Amp Duplex**
6. **Circuit Breaker-120/240V 30 Amp**
7. **Receptacle-120V 30 Amp Single 3-Prong Twist Lock**
8. **Receptacle-120/240V 30 Amp Single 4-Prong Twist Lock**
9. **"Off"/"Run"/"Start" Switch-** Switch must be set to "Run" position to start engine manually, depress "Start" if battery starter is to be used, and in "Off" position to shut engine "Off".
10. **Full Power Switch-** Allows use of 120V only or combination of 120V and 240V use.
11. **Battery Frame**
12. **Vibration Isolator**
13. **Generator Housing**
14. **Low oil sensor**
15. **Oil Filter**
17. **Choke**
18. **Air Filter**
19. **Exhaust Muffler**
20. **14 HP Briggs & Stratton Vanguard Engine-** Included with this generator is a copy of the Engine Manufacturer's Operator's Manual. See this manual for more detail on the engine.
21. **Cover Panel**
22. **Grounding Lug-** (not shown) This is the attachment point for a ground wire to an external earth ground.
23. **Wheel/Hand Kit-** Included with this generator to make portability easier.
24. **Heat Deflector**



### Maintenance and Accessory Parts

Part No.	Qty.	Description
GS-0232	1	Air Filter
GS-0404	1	Pre-cleaner
GS-0408	1	Fuel Filter
GS-0225	2	Fuel Line
GS-0227	2	Fuel Line Clamps
GS-0444	1	Gas Tank
91895680	4	Gas Tank Screws
GS-0443	1	Gas Cap
GS-0033	4	Isolators
GS-0235	1	Spark Arrester
GA200	1	Wheel/Handle Kit