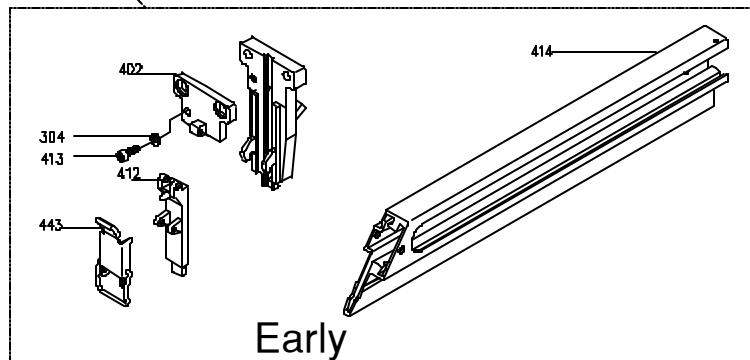
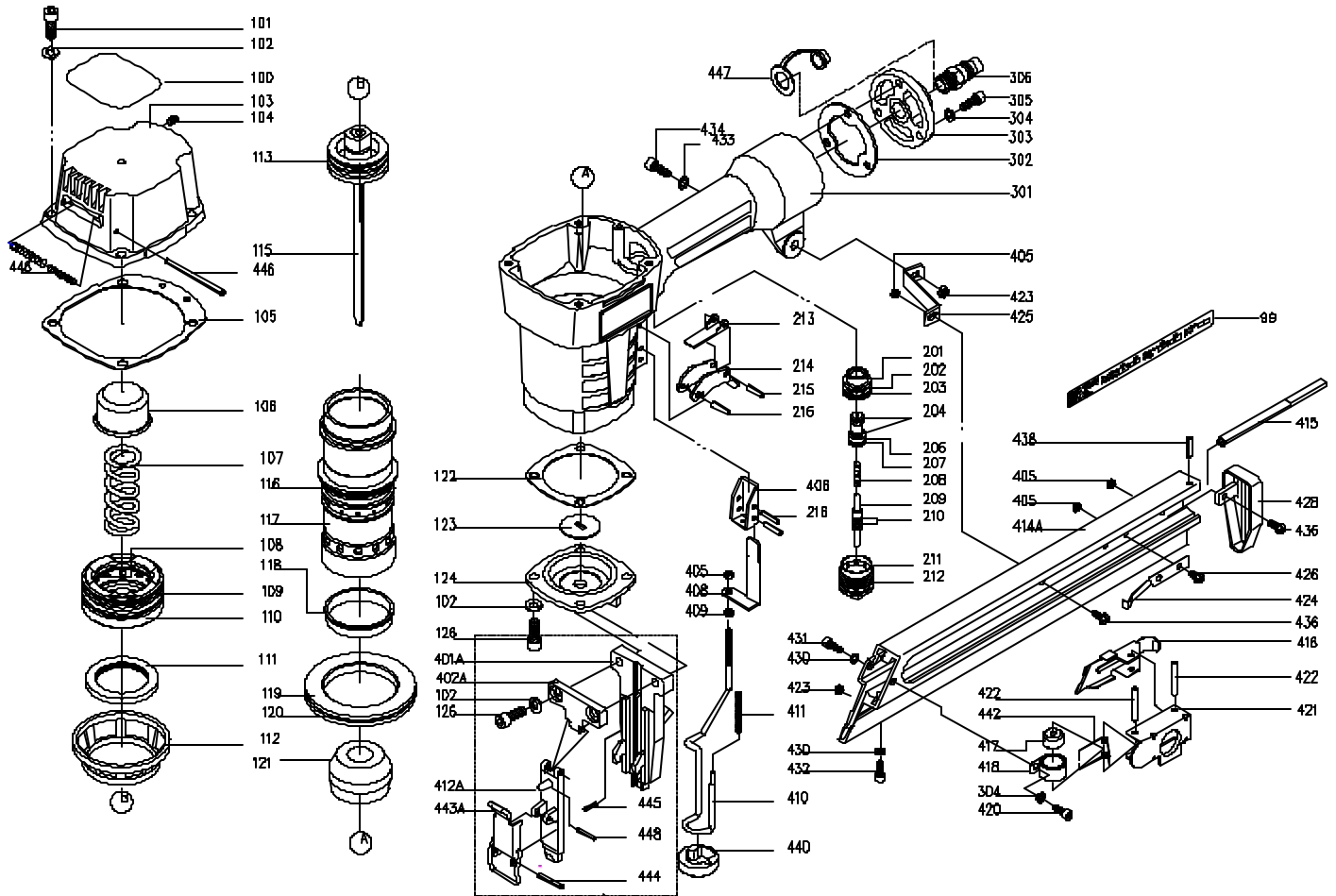


PORTER-CABLE FINISH NAILER

WARNING: Repairs should only be attempted by trained repairmen. Contact the nearest Porter-Cable Service Center or other competent repair

DA250



DA250

Ref. No.	Part No.	Description
99	883594	Information Plate
100	883586	Warning Plate
101	883909	Bolt
102	883910	Lock Washer
103	884537	Cap, Incl.: Ref. 446
104	883912	Screw
105	883913	Gasket
106	883914	Seal
107	883915	Spring
108	883916	O-Ring
109	883917	O-Ring
110	884536	Valve Piston
111	883919	Collar
112	883920	Cylinder Press Ring
113	883921	O-Ring
115	884648	"DRIVER",Maintenance Kit, Before S/N 12000, Incl.: Ref. 105, 113, 121
	60014	"DRIVER",Maintenance Kit, After S/N 12000, Incl.: Ref. 105, 113, 121
	885080	Driver Unit W/ O-Ring
116	883924	O-Ring
117	883977	Cylinder
118	883926	Cylinder Ring
119	883927	Cylinder Spacer
120	883928	O-Ring
121	885074	Bumper
122	883930	Gasket
123	883979	Driver Guide
124	883980	Base
126	883933	Bolt
201	883934	Valve
202	883831	O-Ring
203	883935	O-Ring
204	883936	O-Ring
206	883937	Valve Plunger
207	883938	O-Ring
208	883939	Spring
209	883940	Plunger
210	883848	O-Ring
211	883941	Plunger Cap
212	883942	O-Ring
213	883943	Safety Lever
214	883944	Trigger
215	883945	Spring Pin
216	883884	Spring Pin
217	n 883884	Roll Pin, Early Units
	n 890724	Pin, Current Units Use With Ref. 218
218	n 890725	Retainer, Current Units Use With Ref. 217
301	883947	Body
302	883948	Gasket
303	883949	End Cap
304	883827	Lock Washer
305	883826	Bolt
306	883859	1/4" Male Quick Coupler
401	883981	Driver Guide, Before S/N 12000
401A	884580	Driver Guide, After S/N 12000
402	883982	Plate, Before S/N 12000
402A	884581	Plate, After S/N 12000
405	883882	Lock Nut
406	883973	Safety Guide
408	883984	Safety Driver Guide
409	883985	Nut
410	883986	Safety Contact
411	883987	Safety Spring
412	883988	Driver Guide Cover, Before S/N 12000
412A	884582	Driver Guide Cover, After S/N 12000
413	883955	Bolt
414	883989	Magazine, Before S/N 12000
414A	884583	Magazine, After S/N 12000
415	883990	Steel Channel
416	883991	Pusher
417	883992	Roller
418	883993	Spring
420	883994	Bolt

Ref. No.	Part No.	Description
421	883995	Handle
422	883996	Spring Pin
423	883970	Lock Nut
424	883997	Nail Stop Plate
425	883998	Mounting Bracket
426	883999	Bolt
428	884000	End Plate
430	883867	Lock Washer
431	883866	Bolt
432	883898	Bolt
433	883971	Flat Washer
434	884541	Bolt
436	884001	Bolt
438	884002	Rolled Pin
440	884003	Rubber Pad
442	884004	Spring
443	884005	Quick Release Latch Assy., Before S/N 12000
443A	884641	Quick Release Latch Assy., After S/N 12000
444	884006	Spring Pin
445	884404	Rolled Pin
446	884407	Muffler Assy.
447	884443	Protective Cover (Air Inlet)
448	884584	Rolled Pin

ACCESSORIES: (Optional)

*	884299	Hex Wrench (5 mm)
*	884297	Hex Wrench (3 mm)
*	884298	Hex Wrench (4 mm)
*	883983	Carrying Case
	887712	Latch Carrying Case
n	893077	Sequential Tripper
*	884293	Air Tool Oil (18 cc)
*	883763	Safety Glasses
*	60003	TOP Maintenance Kit, Incl.: Ref. 105, 108, 109, 111, 113, 202, 203, 204, 207, 210, 212
*	60008	BOTTOM Maintenance Kit, Incl.: Ref. 105, 113, 116, 118, 120, 121
*	60014	DRIVER Maintenance Kit, After S/N 12000, Incl.: Ref. 105, 113, 115, 121
*		Porter-Cable 15 ga. Finish Nails in various lengths from 1 1/4" to 2 1/2" (See Catalog).
n		Not Shown