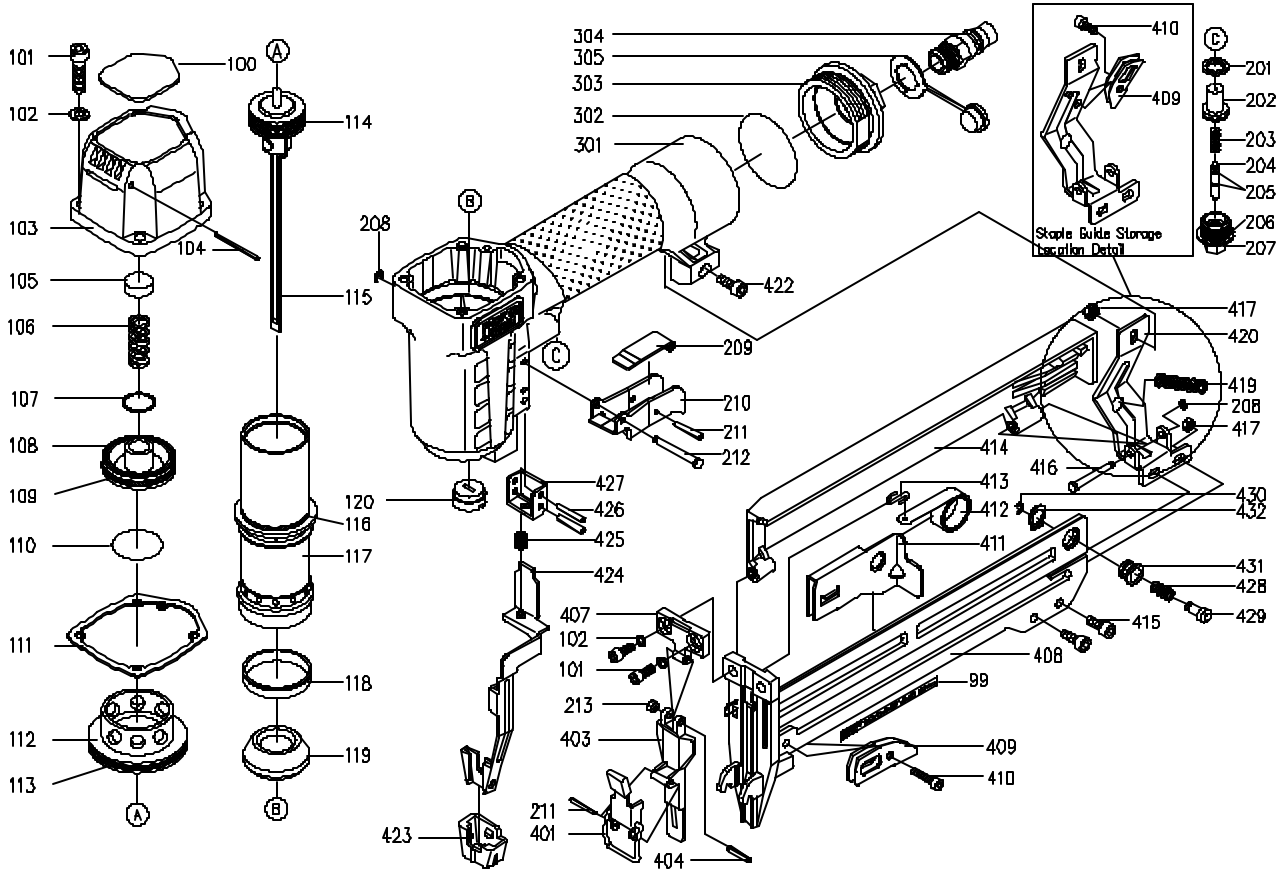


# PORTER-CABLE

## NARROW CROWN STAPLER

WARNING: Repairs should only be attempted by trained repairmen. Contact the nearest Porter-Cable Service Center or other competent repair center.

# NS150



# NS150

Ref. No.	Part No.	Description
99	886311	Information Plate
100	883588	Warning Plate
101	883826	Bolt
102	883827	Lock Washer
103	883887	Cap
104	884169	Rolled Pin
105	891469	Seal
106	883830	Spring
107	883831	O-Ring
108	883832	Head Valve Piston
109	883833	O-Ring
110	883834	O-Ring
111	883835	Gasket Cap
112	883836	Collar
113	883837	O-Ring
114	883838	O-Ring
115	60021	"DRIVER" Maintenance Kit, Incl.: Ref.11 Ref., 114, 119
	886250	Driver Unit W/ O-Ring
116	883840	O-Ring
117	886449	Cylinder
118	886450	Check Seal
119	883892	Bumper
120	883843	Joint Guide
201	883844	Seal
202	883845	Trigger Valve Head
203	888890	Spring
204	883847	Trigger Valve Stem
205	883848	O-Ring
206	883849	O-Ring
207	883850	Trigger Valve Guide
208	883877	E-Ring, Before S/N 37522
	890725**	Retainer, After S/N 37522
209	883852	Secondary Trigger
210	891023	Standard Trigger
	890855	Restrictive Fire Trigger - Optional
211	883851	Rolled Pin
212	890724**	Pin
213	890725	Retainer , After S/N 42142
301	886557	Housing W/Soft Grip
302	884529	O-Ring
303	883858	End Cap
304	883859	¼" Male Quick Coupler
305	884443	Protective Cover (Air Inlet)
401	883895	Lock Handle Unit
403	886219	Guide Cover A, Before S/N 42142
	891646	Guide Cover A, After S/N 42142
404	883851	Rolled Pin, Before S/N 42142
	891537	Pin , After S/N 42142
407	886220	Guide Cover B, Before S/N 42142
	891535	Guide Cover B, After S/N 42142
408	886251	Magazine / Driver Guide
409	886227	Staple Guide
410	883866	Bolt
411	886221	Pusher
412	886222	Spring
413	891536	Spring Ret.
414	n 893802	Magazine Cover
415	884592	Bolt
416	886558	Latch Pin
417	883882	Lock Nut
419	883885	Spring
420	886223	Magazine Bracket
422	883878	Bolt
423	886559	Nose Cushion
424	886225	Safety, Before S/N 42842
	893045	Safety, After S/N 42842
425	883885	Spring
426	883884	Rolled Pin
427	883883	Safety Guide
428	886452	Spring
429	886453	Door Latch
430	886069	E-Ring
431	886454	Latch Pin Cover

Ref. No.	Part No.	Description
432	886455	Ret. Ring
*	884293	Air Tool Oil (18cc)
*	883763	Safety Glasses
*	884297	Hex wrench (3mm)
*	884298	Hex wrench (4mm)
*	886642	Carrying Case
*	887712	Latch Carrying Case

## ACCESSORIES: (Optional)

*	60001	"TOP" Maintenance Kit, Incl.: Ref. 107, 109, 110, 111, 114, 203, 205, 206, 208
*	60005	"BOTTOM" Maintenance Kit, Incl.: Ref. 111, 113, 114, 118, 119
*		Porter-Cable Narrow Crown (¼") Staples in various lengths from ½" to 1½" (See Catalog)
*		Not Shown
*		See Service Notes

# SERVICE NOTES

# NS150

## TRIGGER PIN AND RETAINER - REF. 208 & 212

Early units used a Stepped Pin # 883855 (Ref. 212) and E-ring # 883877 (Ref. 208) to retain the trigger, current units use a Stepped Pin (Ref. 212) and O-ring (Ref. 208) to retain the trigger. The original Stepped Pin # 883855 is no longer available and it should be replaced with the new Stepped Pin # 890724 and O-ring # 890725 as a set.