

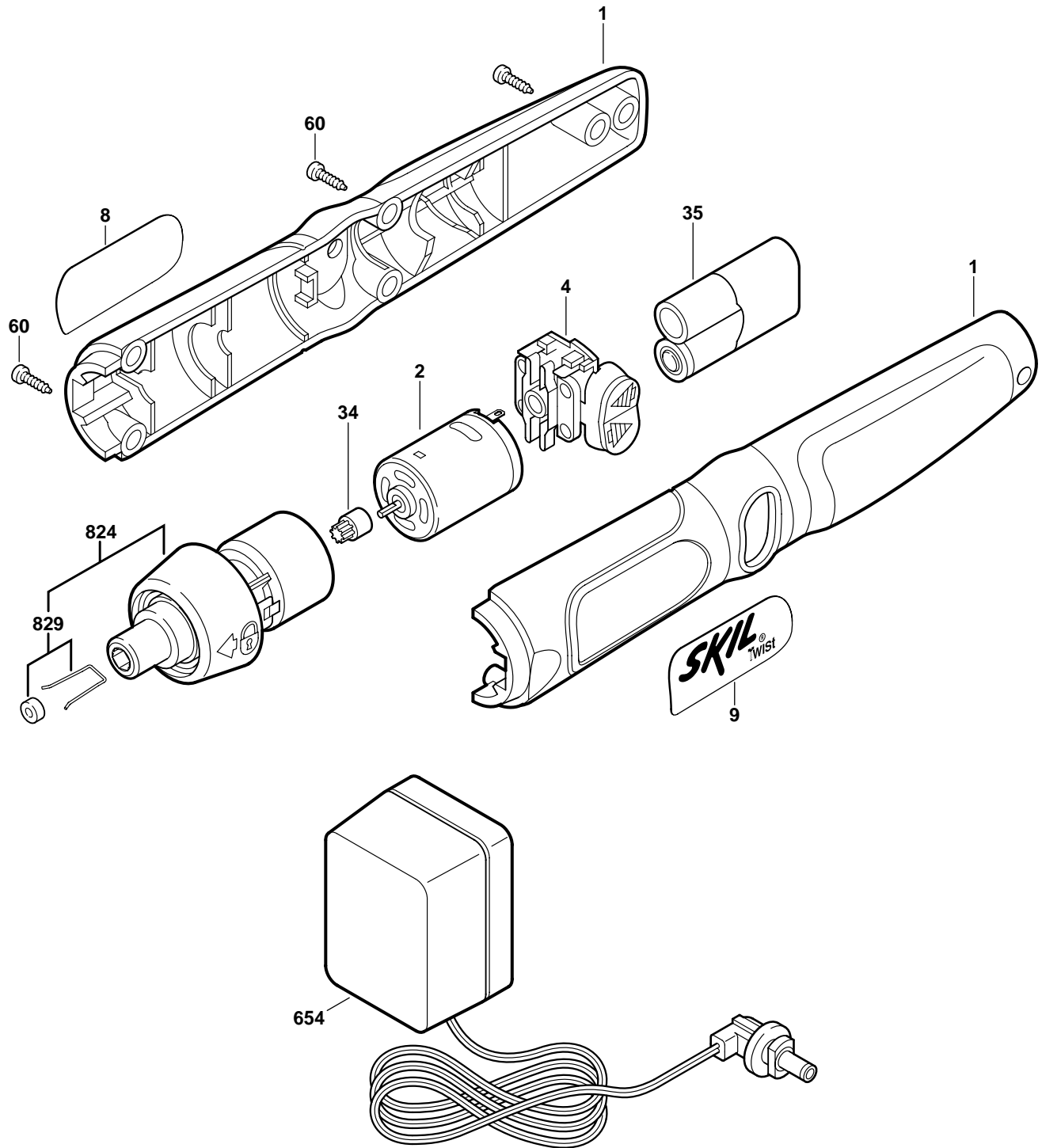
SKIL

October 2000
CONSUMER

2.4V SCREWDRIVER

Model F012210605

2106R



Pos.	Part Number	Description {Qty.}	F/C	Pos.	Part Number	Description {Qty.}	F/C
1	2 610 993 300	Housing Assembly	71	35	2 610 993 310	Battery 2.4V	18
2	2 610 352 716	Motor 2.4V	19	60	2 610 347 948	Screw	89
4	2 610 993 306	Switch On/Off	17	654	2 610 993 317	Charger 2.4V	18
8	2 610 907 876	Nameplate	9	824	2 610 991 239	Drive Assembly	40
9	2 610 907 915	Label	9			w/pos. 829	
34	2 610 993 305	Pinion Gear	33	829	2 610 354 744	Bit Retainer Spring Kit	27

+ = Not Illustrated * = As Required F/C = Failure Code AW = Refer to AW Labor Time Chart