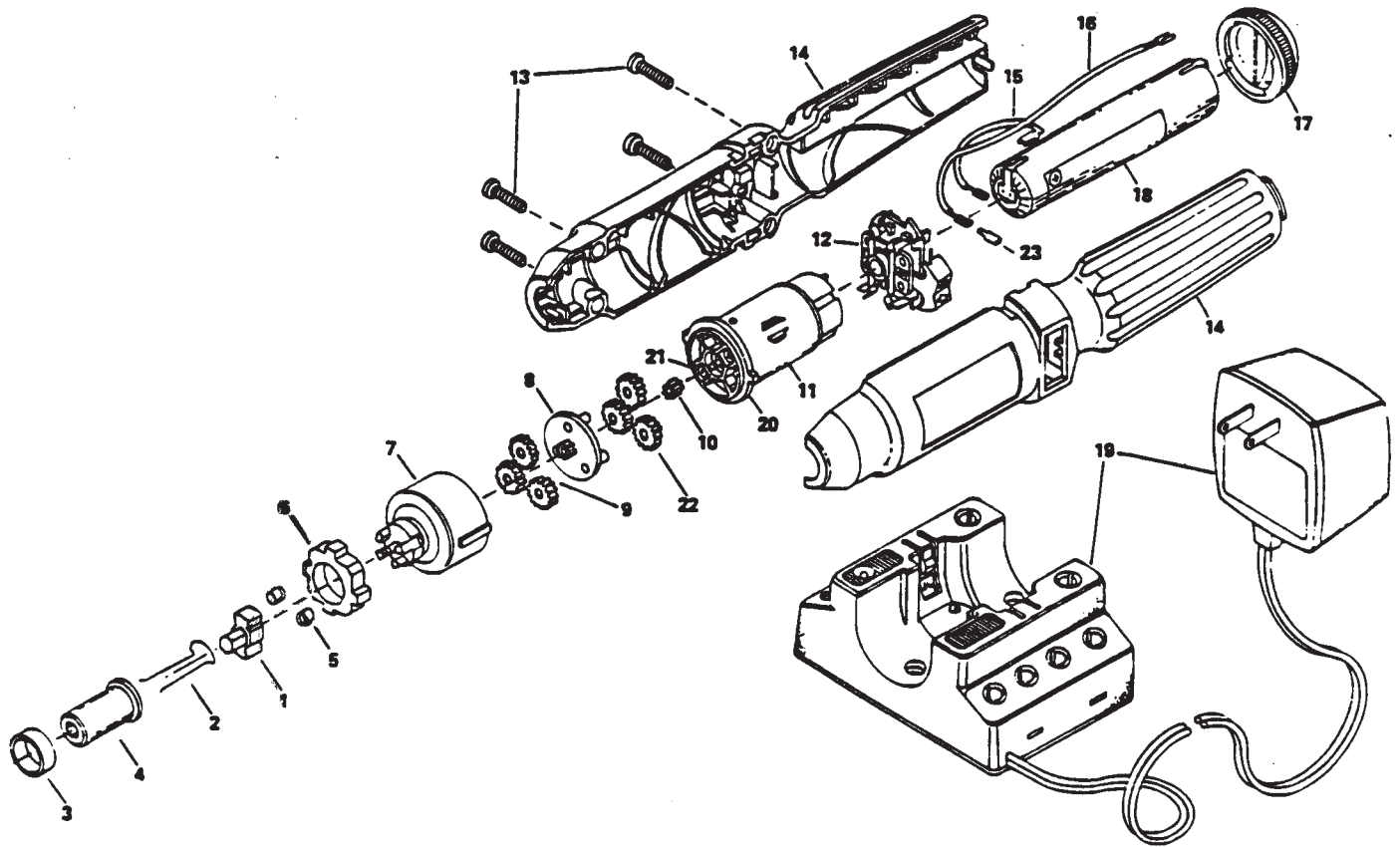


SKIL MODEL 2210 TYPE 3 CORDLESS SCREWDRIVER



REF. NO.	PART NO.	PART NAME
1	352546	COLLET CAM
2	354744	BIT RETAINER KIT
3	352510	BEARING
4	352545	COLLET
5	352532	DOWEL PIN
6	352511	LOCK RING
7	357464	RING GEAR CARRIER ASSY.
8	356033	1st CARRIER
9	356652	PLANET GEAR (3)
10	354457	PINION GEAR
11	352716	MOTOR
12	352517	SWITCH ASSY.

REF. NO.	PART NO.	PART NAME
13	347948	SCREWS (4)
14	357465	HOUSING SET
15	350149	WIRE ASSEMBLY
16	352519	WIRE ASSEMBLY
17	352502	CAP
18	352507	BATTERY PACK
19	92010	CHARGER ASSY.
20	354463	MOTOR MTG. PLATE
21	350012	SCREW (2)
22	356036	PLANET GEAR (3)
23	302331	INSULATING SLEEVE (2)