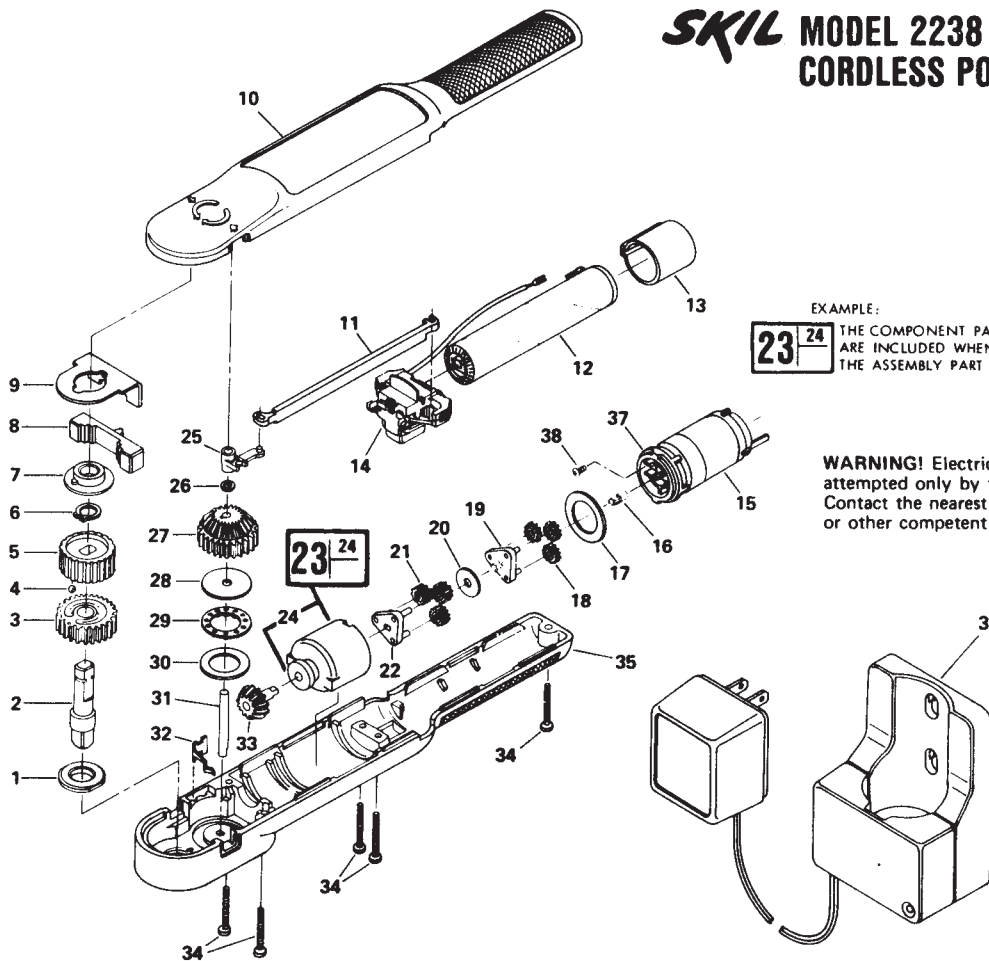


# SKIL MODEL 2238 TYPE 1 & 2 CORDLESS POWER WRENCH



EXAMPLE:

**23** **24** THE COMPONENT PARTS (small ref. no's.)  
ARE INCLUDED WHEN ORDERING  
THE ASSEMBLY PART (LARGE REF. NO.).

**WARNING!** Electrical repairs should be attempted only by trained repairmen. Contact the nearest SKIL Service Center or other competent repair service.

REF. NO.	PART NO.	PART NAME
1	353526	BEARING DRIVER
2	354657	OUTPUT SHAFT ASSY.
3	354498	GEAR DRIVER
4	6913	BALL
5	354477	WHEEL-RATCHET
6	353545	RETAINING RING
7	353548	BEARING-UPPER
8	353501	ACTUATOR-RATCHET
9	353504	BRACKET-RATCHET
10	353509	UPPER HOUSING
11	353529	BAR STRAP
12	353543	BATTERY PACK
13	353506	BOOT-BATTERY
14	353546	SWITCH ASSEMBLY
15	354372	MOTOR
16	354457	SUN GEAR
17	354452	WASHER-FLAT
18	354652	GEAR PLANET (3)
19	354455	CARRIER-A-ASSY.

REF. NO.	PART NO.	PART NAME
20	354451	WASHER-FLAT
21	354459	GEAR PLANET (3)
22	354456	CARRIER-B-ASSY.
23	354658	RING GEAR & BEARING ASSY.
24	354450	SLEEVE BEARING
25	353516	ACTUATOR-SWITCH
26	309996	WASHER-FLAT
27	354496	GEAR-BEVEL
28	354465	WASHER-FLAT
29	354464	BEARING
30	354490	WASHER-FLAT
31	353549	SHAFT-BEVEL GEAR
32	353519	SPRING-FLAT
33	354454	PINION ASSEMBLY
34	354467	SCREW (5)
35	353510	LOWER HOUSING
36	92020	CHARGER ASSEMBLY
37	354463	PLATE-MOTOR MTG.
38	352518	SCREW (2)