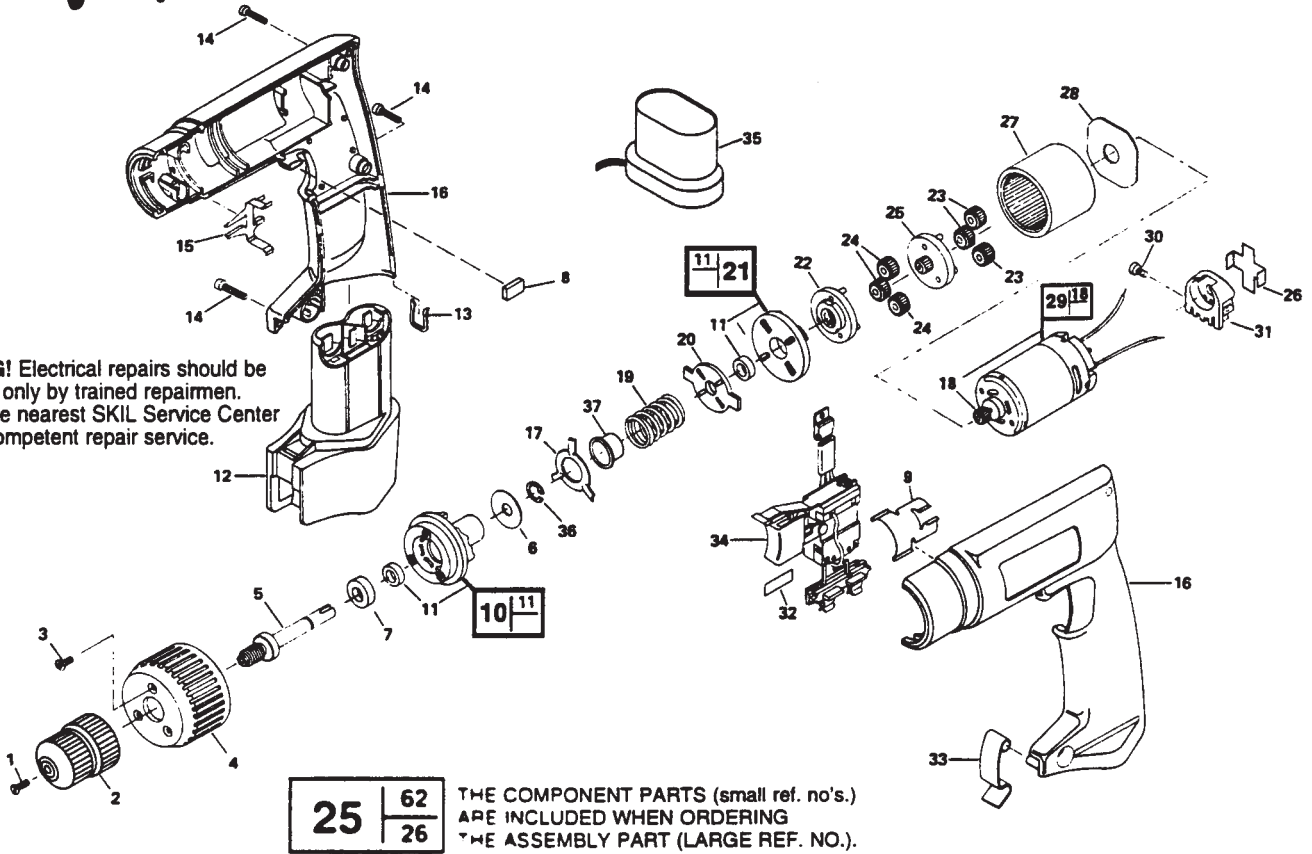




MODEL 2475 TYPE 1 CORDLESS DRILLS & DRIVERS

WARNING! Electrical repairs should be attempted only by trained repairmen. Contact the nearest SKIL Service Center or other competent repair service.



25 | **62** | **26** THE COMPONENT PARTS (small ref. no's.) ARE INCLUDED WHEN ORDERING THE ASSEMBLY PART (LARGE REF. NO.).

REF. NO.	PART NO.	PART NAME	REF. NO.	PART NO.	PART NAME
1	68005	SCREW	20	2610904632	CLUTCH PLATE
2	2610908303	CHUCK	21	2610908318	CLUTCH ASSEMBLY
3	351043	SCREW (3)	22	2610908306	2nd STAGE CARRIER ASSY.
4	352856	COLLAR	23	2610908919	PLANET GEAR
5	358066	SPINDLE SHAFT	24	2610908901	PLANET GEAR
6	26126	LOADING SPRING WASHER	25	2610908305	1st STAGE CARRIER
7	354729	WASHER	26	2610910463	INSULATOR
8	352598	SHIELD (2)	27	2610908343	RING GEAR
9	351040	WEAR PLATE MAIN	28	351013	FLAT WASHER
10	351037	CAM ASSEMBLY	29	•	MOTOR ASSEMBLY
11	351034	SLEEVE BEARING	30	315146	SCREW
12	•	BATTERY PACK (2)	31	351019	HEAT SINK
13	351046	RETAINING CLIP	32	2610910462	INSULATOR
14	315386	SCREW (5)	33	351018	LATCH
15	351041	WEAR PLATE COVER	34	•	SWITCH ASSEMBLY
16	2610908319	HOUSING SET	35	•	CHARGER
17	351012	CAM WASHER	36	904751	SNAP RING
18	2610908900	SUN GEAR	37	2610909730	SPACER
19	351014	COMPRESSION SPRING			

SPECIAL NOTES:
USED ONLY ON TOOLS WITH SPINDLE SHAFT
RETAINING RING THAT ASSEMBLES ON THE CHUCK SIDE OF CAM ASSEMBLY.

• THE FOLLOWING PARTS ONLY APPLY TO MODELS INDICATED:

REF. NO.	MODEL	MODEL	PART NAME
12	2375	2475	BATTERY PACK
29	92955	92975	MOTOR ASSEMBLY
34	2610909726	2610909727	SWITCH ASSEMBLY
35	2610909710	2610908342	CHARGER
	92950	92970	