

# T ECHNICAL INFORMATION



New Tool

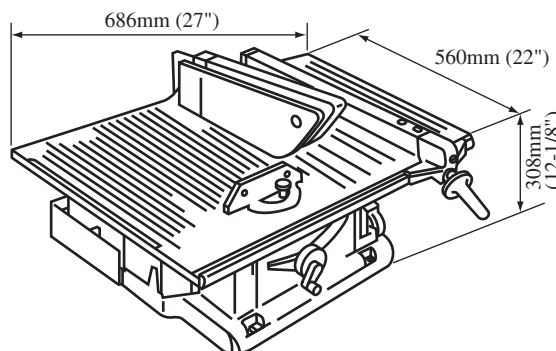
**Models No.** ▶ 2703

**Description** ▶ 210mm(8-1/4"),255mm(10")Table Saw

## CONCEPT AND MAIN APPLICATIONS

Model 2702,2703 are improved versions of the existing Model 2708.Their brief benefits are;

- \*Large table
- \*Easy operation for adjusting depth of cut and bevel angle
- \*Excellent chip/sawdust ejection
- \*Self-aligning rip fence with a single handle control
- \*Tool storage pocket
- \*Equipped with electric brake
- \*Switch is equipped with auto-off function, which will automatically change switch position from "ON" to "OFF" when power down while switch-on. (Only for Europe)



## ► Specifications

Voltage (V)	Current (A)	Cycle (Hz)	Continuous Rating (W)		Max. Output(W)
			Input	Output	
100	15.0	50/60	1430	760	1900
120	15.0	50/60	1650	950	2200
220	7.9	50/60	1650	950	2200
230	7.5	50/60	1650	950	2200
240	7.2	50/60	1650	950	2200

No load speed		4,600rpm
Arbor diameter	U.S.A.,Canada and Mexico	15.88mm(5/8")
	Europe(2702 only)	30mm
	Other countries	25.4mm(1")
Blade diameter	2702	210mm(8-1/4")
	2703	255mm(10")
Net weight		18Kg(40.01bs)
Cord length		2.5m(8.2ft)

Cutting capacities (HxW)

	2702	2703
0°	68mm(2-11/16")	91mm(3-9/16")
45°	47mm(1-3/4")	63mm(2-1/2")

## ► Standard equipment

- Ruler Ass'y----- 1 pc.
- Angle Rule Ass'y----- 1 pc.
- Wrench 19----- 1 pc.
- Wrench 13-22----- 1 pc.
- Holder Cap Opener----- 1 pc.
- Ring----- 1 pc. (except for U.S. A. ,Canada, Mexico and Europe)
- T.C.T. Saw Blade 210(2702)----- 1 pc.
- T.C.T. Saw Blade 255(2703)----- 1 pc.
- Stand Set----- 1 pc. (For Europe)

## ► Optional accessories

- Stand Set Joint (connecting to Vacuum Cleaner 406 or 410)
- Subtable R,L Center Cover(For U.S.A.,Canada and Mexico)
- Dado Head Set(For U.S.A.,Canada and Mexico) Outer Flange(For U.S.A.,Canada and Mexico)

## ► Features and benefits

1. Double insulated
2. See the sheets attached for more information.

The standard equipment for the tools shown may differ from country to country.

Powerful hi-tech motor of 15A(1650W)

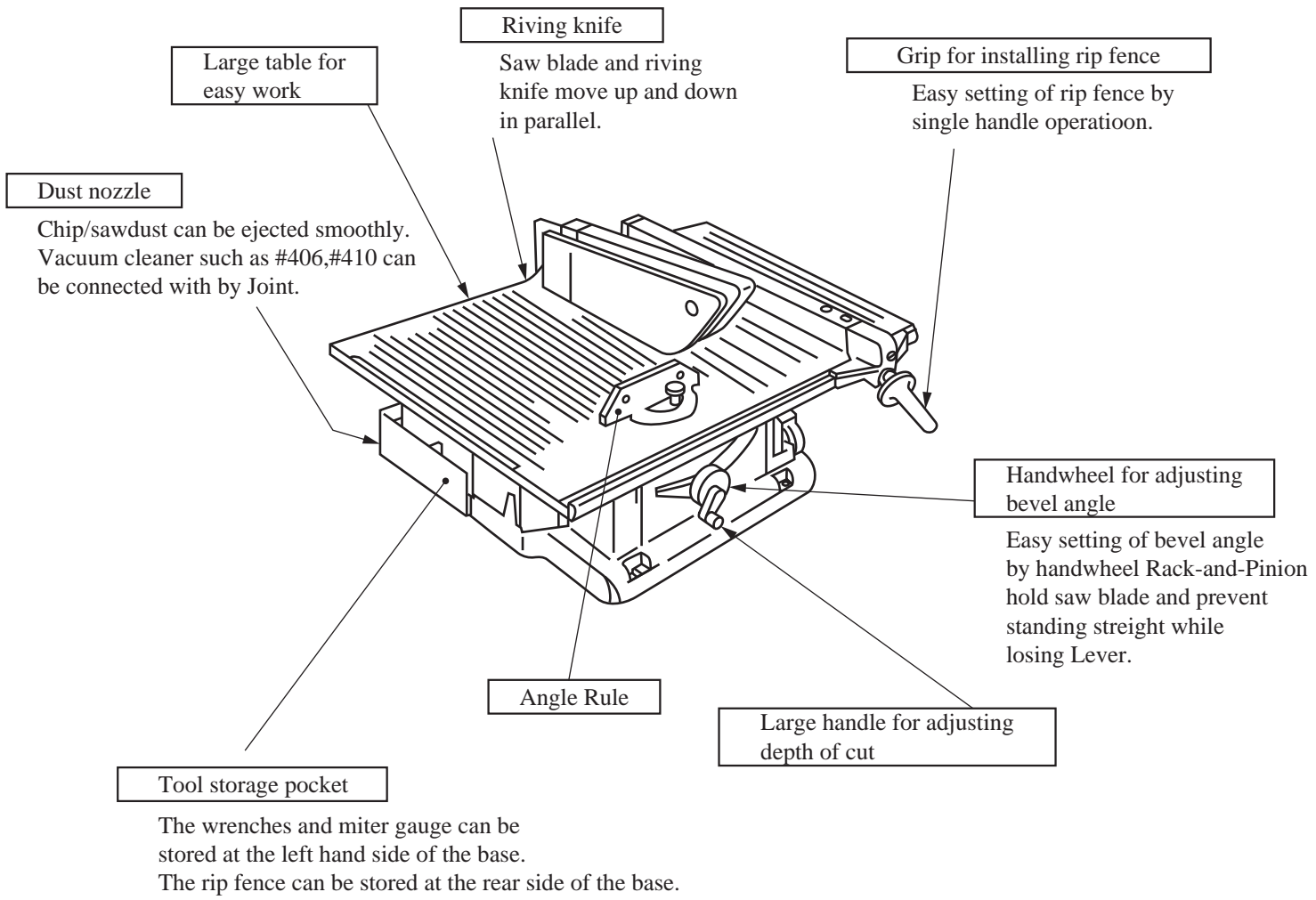
SKIL #3400 13A  
DELTA #36-540 13A  
Makita #2708 12A

Material can be cut smoothly and quickly.

Equipped with Electric brake

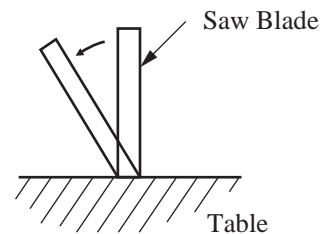
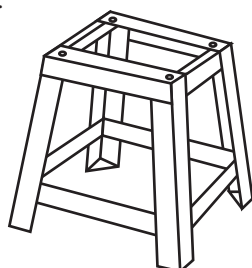
T.C.T. Saw Blade

2703···255mm(10") 24teeth  
2702···210mm(8-1/4") 18teeth



Stand Set  
(Optional accessory)

Stand set can be used for 2708. This is the standard equipment for Europe.



Center of swing arc of Saw Blade is located at the surface of table so that cutting line is always at the same position in any angle cutting.

## ► Repair

### Greasing

Before assembling, grease the MAKITA grease on the turntable and moving faces shown below.

Movable points on the frame

Frame - moving face between slide sheets

Frame retainer - Moving face between leaf springs

Up/down guide shaft, up/down screws, teeth for up/down on the motor(saw)

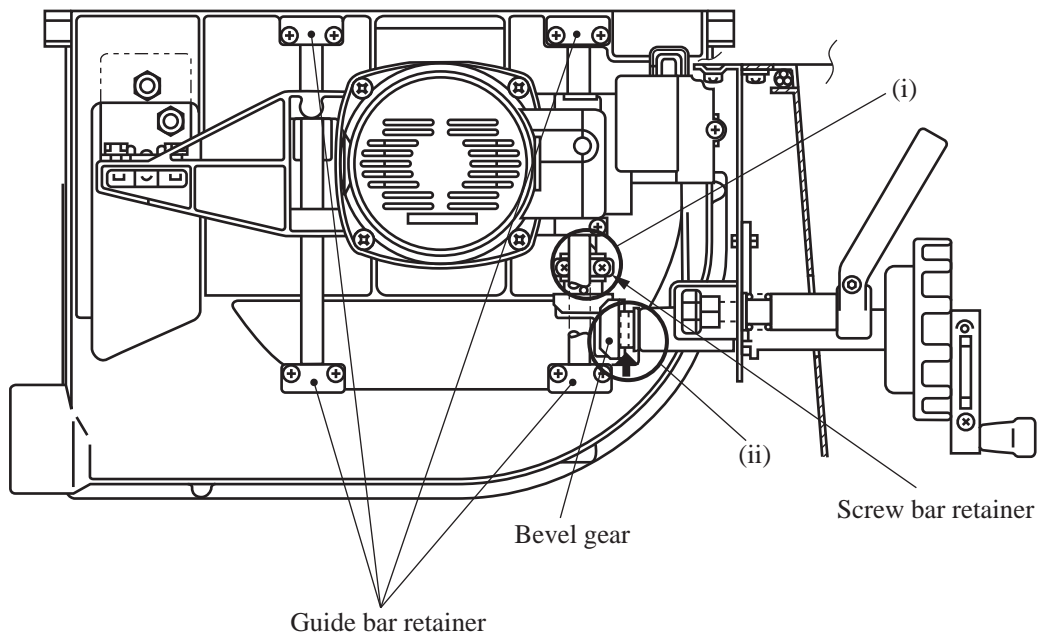
Teeth for tilting on the motor(saw)

Elongation hole window on the plate(steel plate for fixing inclination)(both front/back sides)

### Disassembling of motor and frame

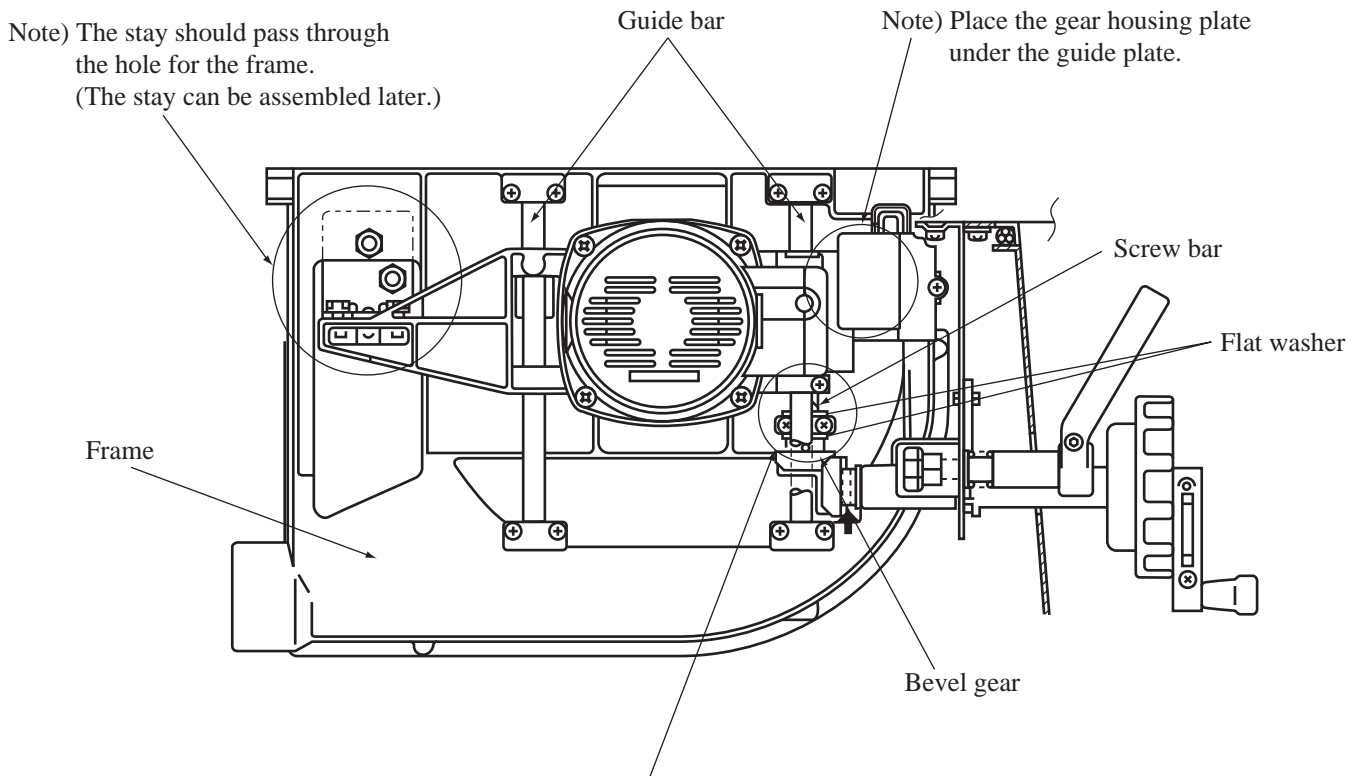
Before disassembling, disconnect the saw cutter and safety cover.

1. Turn the machine upside down and place the motor(saw) with inclined 45°.
2. Shift the motor to the position where the screws for mounting the screw bar retainer can be loosened.(See (i) on the below figure.)
3. Pull out the spring pin mounting the bevel gear for up/down in the direction shown on the figure to take away the bevel gear.(See the (ii) on the below figure.)
4. Disconnect the screws mounting the guide retainer and screw bar retainer.



### Assembling the frame to the motor

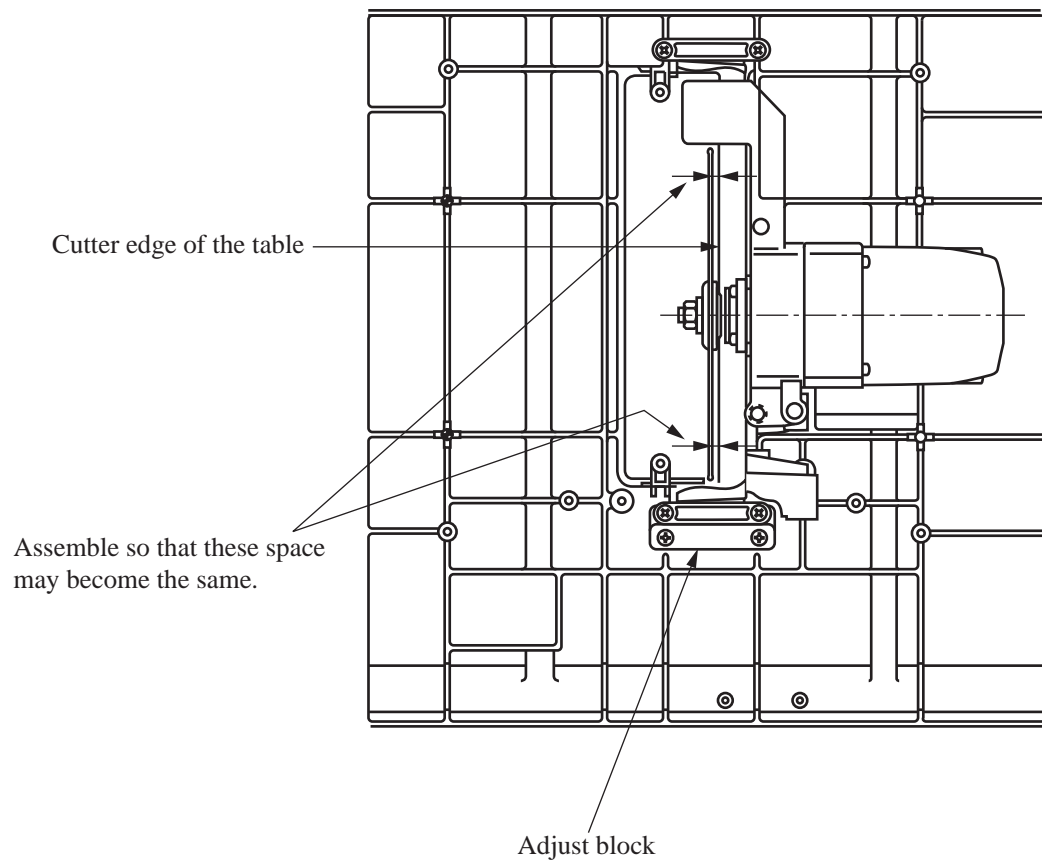
1. Set the flat washer 12(2 pieces) on the screw bar, and assemble the bevel gear mounted with the spring pin on the gear housing.
2. Insert the guide bar into the gear housing.
3. Set the above parts on the frame while using care on the points shown below.
4. First assemble the guide bar at screw bar mounting side using the guide bar retainer.
5. Next assemble the guide bar at stay mounting side using the guide bar retainer.
6. At last assemble the screw bar using the screw bar retainer.



- Note) ·Set in a way that the two flat washers hold the screw bar mounting points on the frame.  
·Set the motor on the position where the screw for mounting the screw bar retainer can be fastened.

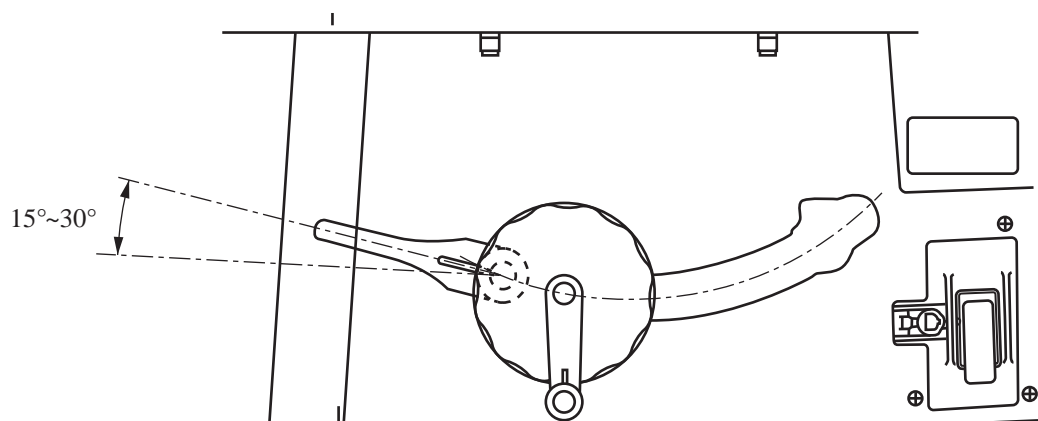
### Assembling the frame to the table

Adjust the adjust block so that the saw cutter can be parallel to the cutter edge of the table.(It can be adjusted after assembling.)



### Assembling of the bevel lock lever

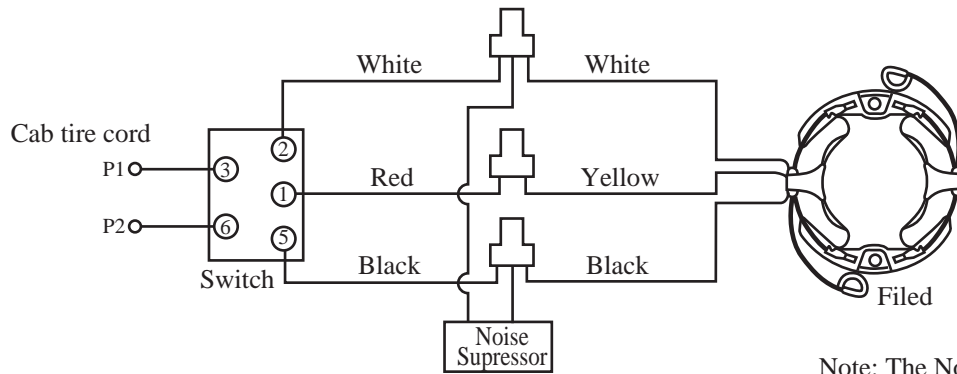
Adjust the mounting position so that you can get the positions shown on the below figure when fastening the bevel lock lever at maximum.



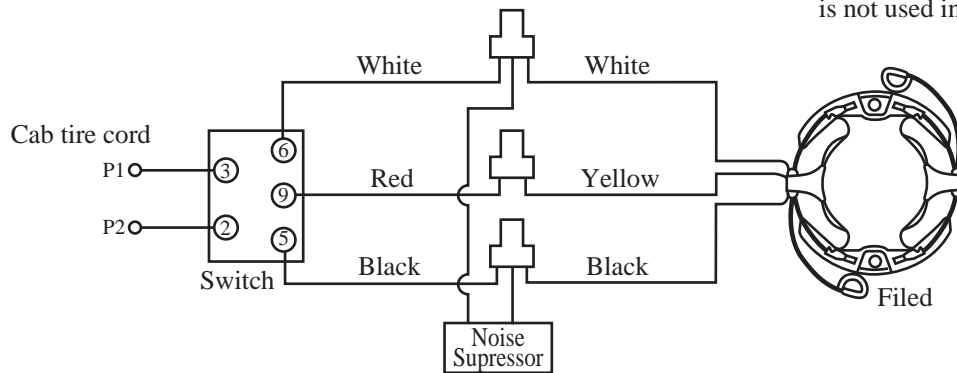
## ▶ Circuit drawing

Circuit drawing :

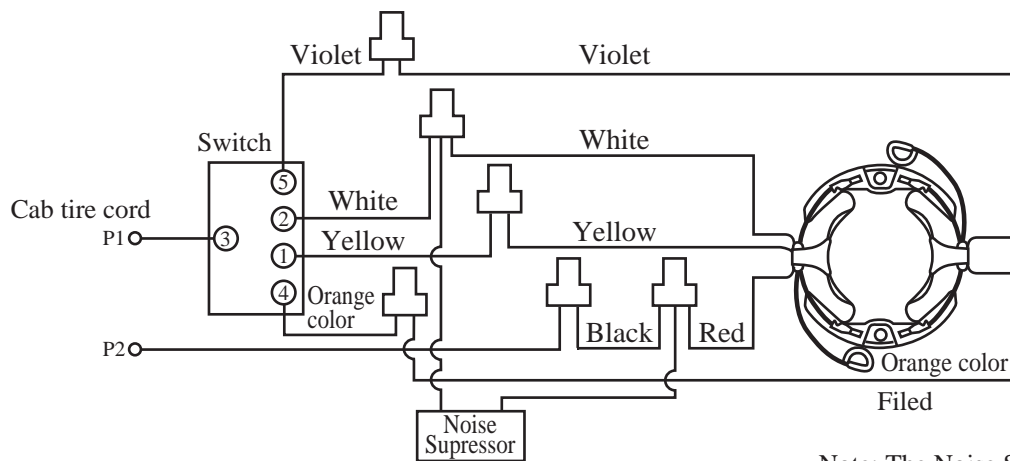
<Low pressure specifications> (☐ :connector at closed end)



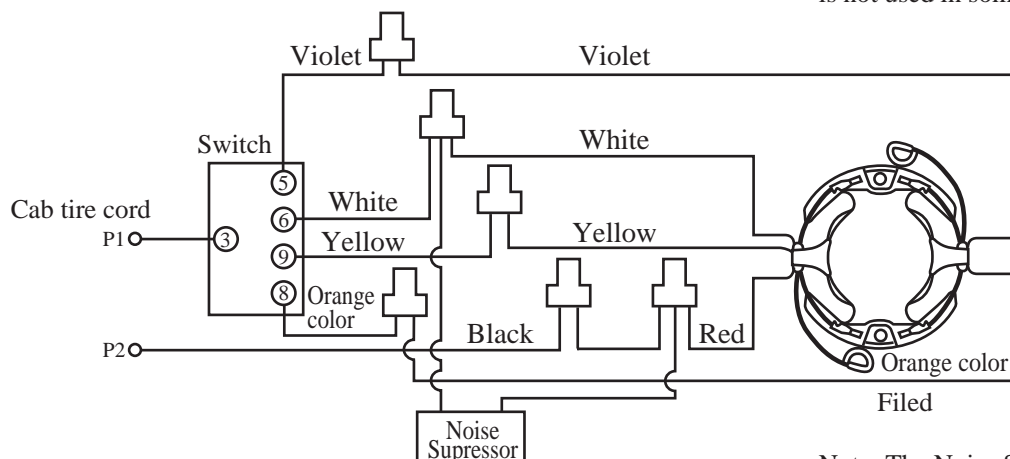
Note: The Noise Suppressor is not used in some areas.



<High pressure specifications>



Note: The Noise Suppressor is not used in some areas.



Note: The Noise Suppressor is not used in some areas.