

For Models ▶ 3606

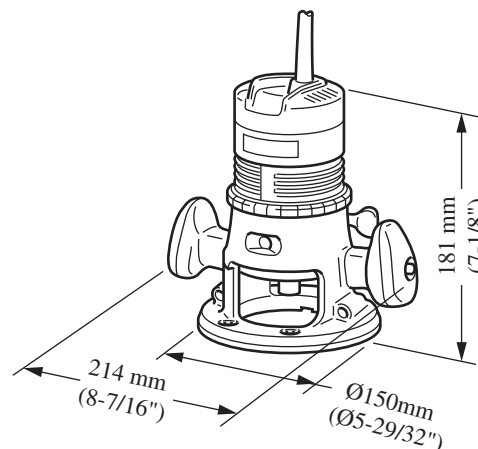
Description ▶ 1 HP Router

CONCEPTION AND MAIN APPLICATIONS

Comfortable "One Horse Power".

Low gravity control knobs fit right in your palms.

Extremely easy to use. The detachable motor (in common dia. of 3 1/2" or 88.9mm) can fit commercial router base attachments available on the market.



► Specifications

Voltage(V)	Current(A)	Cycle(Hz)	Continuous rating input(W)	Max. Output(W)
110	8.0	50/60	760	1,000
115	7.0	50/60	760	1,000
200	4.0	50/60	760	1,000
220	3.6	50/60	760	1,000
230	3.5	50/60	760	1,000
240	3.3	50/60	760	1,000
Net Weight			2.5kgs	
No Load Speed			30,000rpm/min	

► Capacity

*Collet chuck : 6.0mm(or 1/4")

*Max. depth adjustment from top to bottom : 45mm

*A turn of Scale Ring allows quick precise depth adjustment by 6.35mm(1/4")

► Standard equipment

Wrench 17

► Optional accessories

A wide range of Template Guides and Router Bits.

See these accessories on pages 52 to 57 in MAKITA general catalog of 1989.