

**For Models** ▶ 3702, 3702B

**Description** ▶ Trimmer

## CONCEPTION AND MAIN APPLICATIONS

The base part has been changed to tilt type. Chamfering is available by the straight bit because of the tilt base.

Motor of 3702: Same as #3700/3701

Motor of 3702B: Same as #3700B

### ▶ Specifications

Motor	Load axis	Function
#3702	.....	Same as #3700/3701
#3702B	.....	Same as 3700B

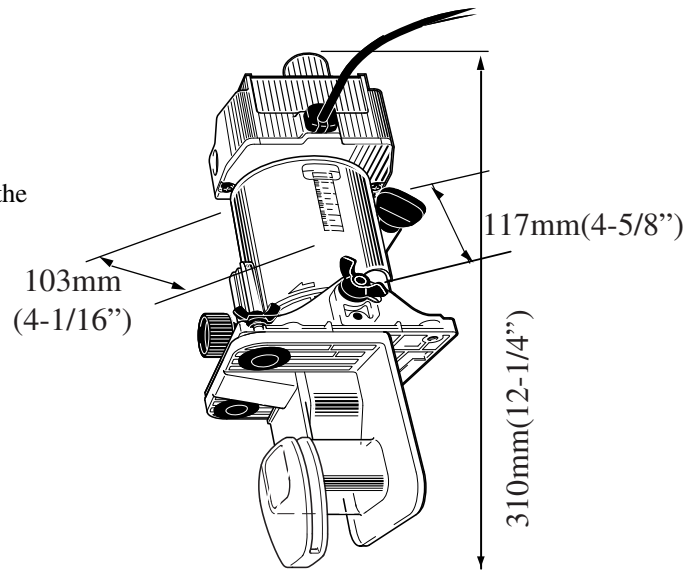
### ▶ Standard equipment v• Optional accessoriesvvvv

#3702 ..... Same as #3700/3701

#3702B ..... Same as 3700B

### ▶ Features and benefits

1. No Square bits required because you can chamfer by Straight bit.
2. As the base tilts in any angle from 0 ~ 45 , you can chamfer at any optional angle.  
( the chamfering angle was limited to 3 levels, for there were only Square bits of 30 /45 /60 before)
3. Owing to trimmer shoe w/Large knob, you can operate more steadily and easily.
- 4, Various guides for the current models ( Straight guide, Trimmer guide, Template guide, Trimmer shoe) are available too.
5. The structure prevents chips from scattering and makes exhaustion smooth.
6. Transparent plastic base makes easy to see ink line and treated parts.



## ▶ **H**andling

As for general handling way and notes, refer to Instruction Manual .

## ▶ **R**epair

3702 ..... Same as 3700/3701

3702B ..... Same as 3700B

## ▶ **I**nterchangeability

The parts are in common with except the items below. (3702 with 3700/3701, 3702B with 3700B)

- Trimmer shoe (No. 4143048)

- Base complete (No. 1523348)

\* Screws: exception