

# T ECHNICAL INFORMATION



New Tool

**Models No.** ▶ 6800DBV

**Description** ▶ Drywall screwdriver

## CONCEPTION AND MAIN APPLICATIONS

Heavy-duty screwdriver for applying drywall to metal studs.  
 Lightweight for easy handling.  
 Driver bits and magnetic bit holder are easily installed.  
 Features a depth sensitive clutch mechanism and durable polycarbonate housing.

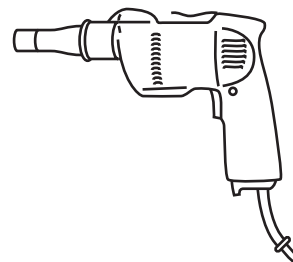


Illustration.: #6800DB(6800dBV)

Note: Although we sold #6800DB before as Speed Change Model, we will sell two types of the model from now on ---- #6800DB as Single Speed Model and #6800DBV as Speed Change Model

### ► Specifications

Voltage(V)	Current(A)	Cycle(Hz)	Continuous rating input(W)	
Single phase 100	3.8	50-60	350	
	6800DB	6800DBV	6801DB	6801DBV
Rotation per minute	2500/min.	0-2500/min	4000/min	0-4000/min
Capacity	Tex, Hex dry wall screw 5mm		Dry wall screw 4mm	
Net weight	1.3 kgs			
Overall length	280 mm			
Power supply cord	2.5 m			

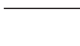
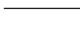
### ► Usage (point in selecting a model)

#6800DB, #6800DBV : For boards or for Tex/Hex (5mm or smaller)  
 #6801DB #6801DBV: For boards only. High speed rotation. High efficiency.

### ► Standard equipment

+ Bit 2-25  
 Magnetic connect bit 6.35-76  
 Steel case

### ► Optional accessories

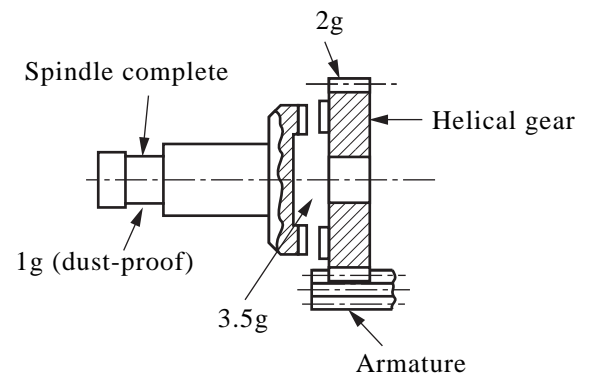
+Bit 1-25  
 Connect bit 6.35-76(without magnetic stone)  
 Magnetic socket bit 5/16" - 65  for 5mm Hex Only for 6800DB and 6800DBV  
 Adjust sleeve assembly 5/16 

### ► Features and benefits

- 1) Owing to application of magnetic bit, screws never fall off so that you can work efficiently.
- 2) Triple dust prevention treatment is done at the end, and dust cover is attached to the switch.  
 Therefore, troubles rarely occur by plaster powder.
- 4) As it is especially light(1.3kgs), you can operate easily without exhaustion even in working for ceilings.
- 5) With carry hook
- 6) Double insulation

## ► **Assembly/Disassembly**

When replace Spindle complete or Helical gear ( see the Figure), enclose 1g.into Front part of Spindle (for dust- proof), 3.5g into Clutch part, approx.2g of Morab alloy grease No.2 into teeth part of Helical gear. Besides, if grease stays too much in Gear part of Armature shift, it may cause heat.



## ► **Postscript**

Although Gear-housing and Gear-housing-cover of 6800DB/6800 DBV are plastic, the durability or falling strength (3m. all right) is not inferior to aluminum one.