

TECHNICAL INFORMATION

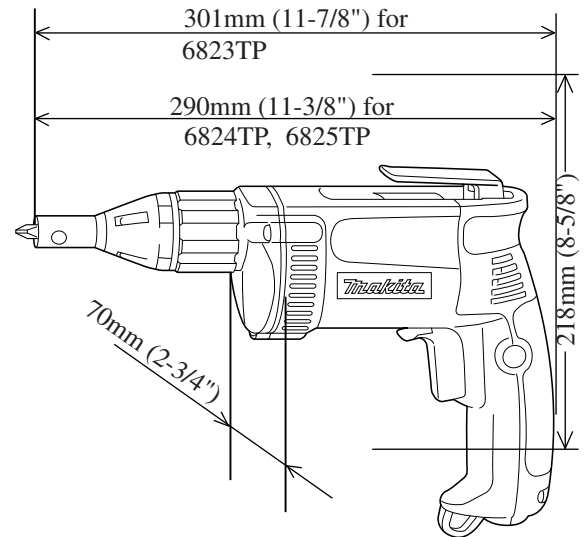
Models No. ▶ 6823TP, 6824TP, 6825TP

P 1 / 10

Description ▶ Drywall screwdriver)

CONCEPTION AND MAIN APPLICATIONS

The above new faces are superior to other products in driving speed, durability and comfortable work.
The high rotation speed has enabled you to fasten screws as quick as lightning.



► Specifications

The following electrical data are common to 6823TP, 6824TP and 6825TP.

Voltage (V)	Current (A)	Cycle (Hz)	Continuous Rating (W)		Max. Output(W)
			Input	Output	
100	6.0	50 - 60 Hz	570	260	570
110	5.2	50 - 60 Hz	570	260	570
120	6.5	50 - 60 Hz	(710)	340	590
220	2.7	50 - 60 Hz	570	260	570
230	2.6	50 - 60 Hz	570	260	570
240	2.5	50 - 60 Hz	570	260	570

Model No.	6823TP	6824TP	6825TP
Protection from electric shock	by Grounding	by Grounding	by Grounding
No load speed (rpm.)	0 - 2,500	0 - 4,500	0 - 6,000
Driving shank	6.35mm (1/4") Hex	6.35mm (1/4") Hex	6.35mm (1/4") Hex
Driving capacity	Dry wall screw	6mm (1/4")	5mm (3/16")
	Teks screw	6mm (1/4")	6mm (1/4")
Silent clutch	Yes	Yes	Yes
Cord length	15m(50ft)	15m(50ft)	15m(50ft)
Weight	1.5 Kg (3.4 lbs)	1.4 Kg (3.1 lbs)	1.4 Kg (3.1 lbs)

► Standard equipment

Philips insert bit 2-25 1 pc.
Magnetic connect bit 6.35 - 76.... 1 pc.

The standard equipment shown may differ from country to country.

► Optional accessories

Philips insert bit 1-25, 2-25, 3-25
Magnetic connect bit 6.35 - 76, 6.35 - 60
Adjust sleeve complete for magnetic connect bit 6.35 - 60

► **Feature and benefit**
6823TP, 6824TP, 6825TP

Higher rotation speed for quick boarding.

- *Higher rotation speed has enabled you driving as quick as lightning.
 Mod. 6825TP : 0 - 6,000 rpm.
 Mod. 6824TP : 0 - 4,500 rpm.
 (higher than 6801DBV, 0 - 4,000 rpm.)
- *Easy to drive by pressing slightly.

Locking sleeve can be operated with only one hand. The adjusted depth can be kept steadily without slipping.

One touch detachable locator is convenient for finish fastening, or loosening screws. And its top is aluminum made.

Long nose piece on locator to fasten screws easily.

- * Connect bit of 76mm (3") length can be used.
- * Easy driving by long and slim nose piece
- * Also connect bit of 60mm length can be used by replacing adjust sleeve complete (optional accessory).

Equipped with pin type silent clutch like as the existing Mod.6821

Air outlet is designed for exhausting cooling air ahead to avoid the cooling air comes to the operator's face.

Comfortable soft grip. Grip with ideal figure to press the machine along the spindle axis for driving properly.

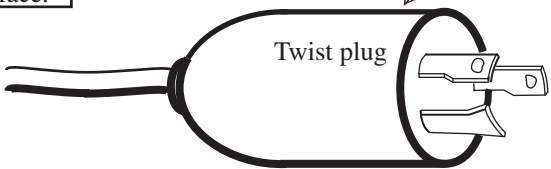
Convenient retractable carry hook for temporarily hanging the machine.

Variable switch with big trigger integrating reversible action switch.
 * Enable to change rotating direction with one hand.
 * So big switch trigger to be operated even with 2 fingers.
 * Lock-On button is convenient for continuous operation.

Gear housing is durable aluminum die casting.

Equipped with 15m(50ft) 3 wire cord with twist plug.

Switch firmly protected from the dust liberates you from the cost for repair. And cord with high durability is strong against fatigue by frequent inflection.



► Comparison of products

Products with high speed type (0 - 6,000 rpm. and 0 - 4,500 rpm.)

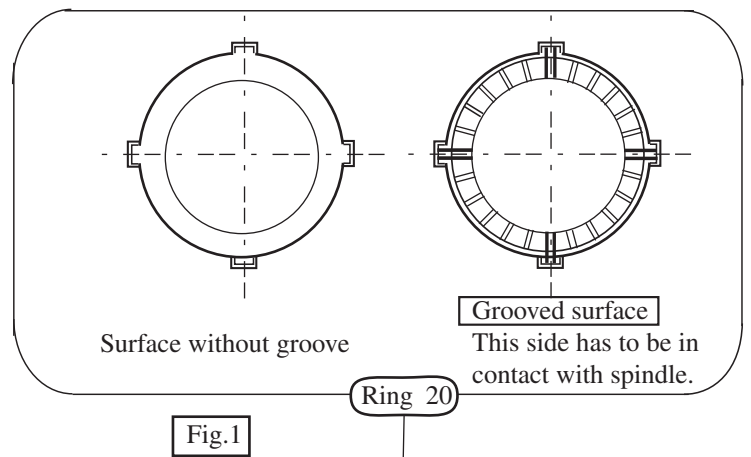
Manufacturer		MAKITA				Competitor	
Model No.		6825TP	6824TP	6820V	6801DBV	Mod.A	Mod.B
Power Input (W)		570		570	540	——	
Current (A) under 120V (UL and CSA spec.)		6.5		5.2	3.5	6.3	
No load speed (rpm.)		0 - 6,000	0 - 4,500	0 - 4,000	0 - 4,000	0 - 4,000	
Driving shank		6.35Hex		6.35Hex	6.35Hex	6.35Hex	
Driving capacity	Dry wall screw	4 (5/32")	5 (3/16")	5 (3/16")	3.5 (1/8")	4 (5/32")	
	Teks screw	——	6 (1/4")	6 (1/4")	5 (3/16")	4 (5/32")	
Noise (dB)		80		81	86	83	
Variable speed control switch		Yes		Yes	Yes	Yes	
Reversible action switch		Yes		Yes	Yes	Yes	
Material of gear housing		Aluminum		Regin	Aluminum	Aluminum	
Protection from electric shock	by grounding	○	○				○
	by double insulation			○	○	○	
Overall length (mm) (")		290 (11-3/8")		265 (10-3/8")	280 (11")	315 (12-3/8")	
Weight		1.4Kg(3.1lbs)		1.3Kg(3.0lbs)	1.4Kg(3.1lbs)	1.4Kg(3.1lbs)	

Products with no load speed 0 - 2,500 rpm.

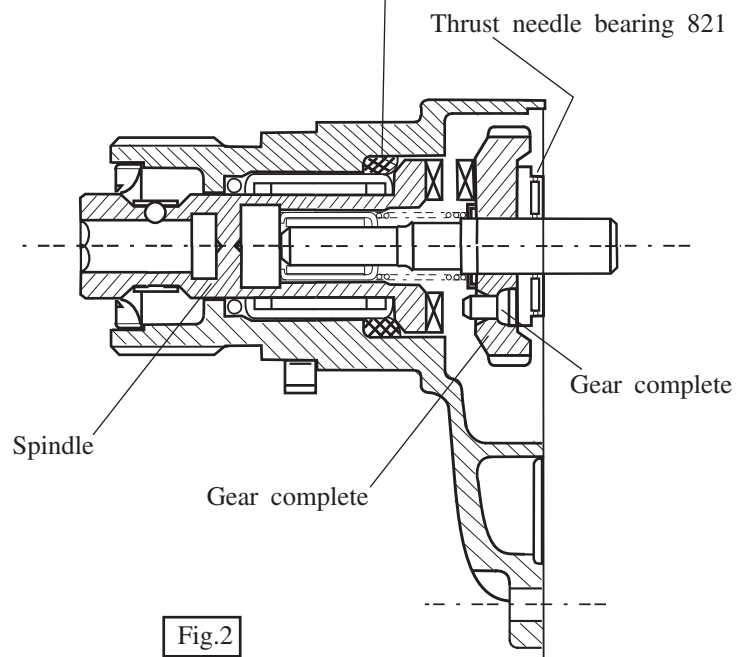
Manufacturer		MAKITA		Competitor		
Model No.		6823TP		6800DBV		Mod.C
Power Input (W)		570		540	——	
Current (A) under 120V (UL and CSA spec.)		6.5		3.5	6.5	
No load speed (rpm.)		0 - 2,500		0 - 2,500	0 - 2,500	
Driving shank		6.35Hex		6.35Hex	6.35Hex	
Driving capacity	Dry wall screw	6 (1/4")		5 (3/16")	6 (1/4")	
	Teks screw	6 (1/4")		3.5 (1/8")	6 (1/4")	
Noise (dB)		80		86	83	
Variable speed control switch		Yes		Yes	Yes	
Reversible action switch		Yes		Yes	Yes	
Material of gear housing		Aluminum		Regin	Aluminum	
Protection from electric shock	by grounding	○				
	by double insulation			○	○	
Overall length (mm) (")		301 (11-7/8")		280 (11")	328 (12-7/8")	
Weight		1.5Kg(3.3lbs)		1.5Kg(3.3lbs)	1.6Kg(3.6lbs)	

► Repair

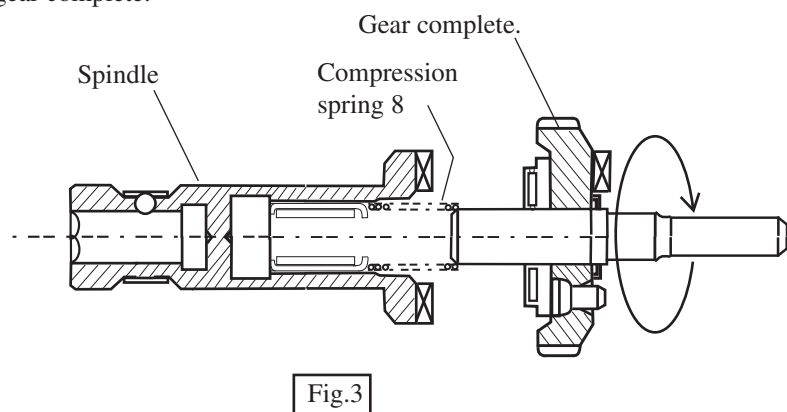
- < 1 > When installing ring 20, its grooved surface has to be in contact with spindle.
(see Fig.1.)



- < 2 > When installing thrust needle bearing 821, its thick washer has to be faced to gear complete.
(see Fig.2.)



- < 3 > Insert compression spring 8 into spindle by turning it with thick axis of gear complete.
(see Fig.3.)



< 4 > When replacing carbon brush, be sure if brush holder is installed on motor housing properly.
 And then install handle cover onto motor housing.
 (see Fig.4.)

< Properly installed carbon brush >

< Incompletely installed carbon brush >
 Correct with your finger to install properly.

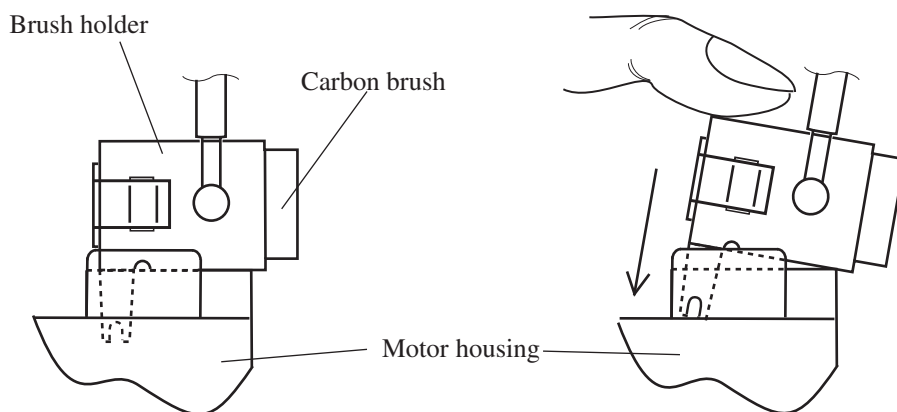


Fig.4

< 5 > Check if spindle keep still during no load operation.
 If the spindle would start to move, replace compression spring 8 (1 pc.),
 flat washer 8 (2 pcs.) and pin 4 (3 pcs.) as a set.
 (see Fig.5.)

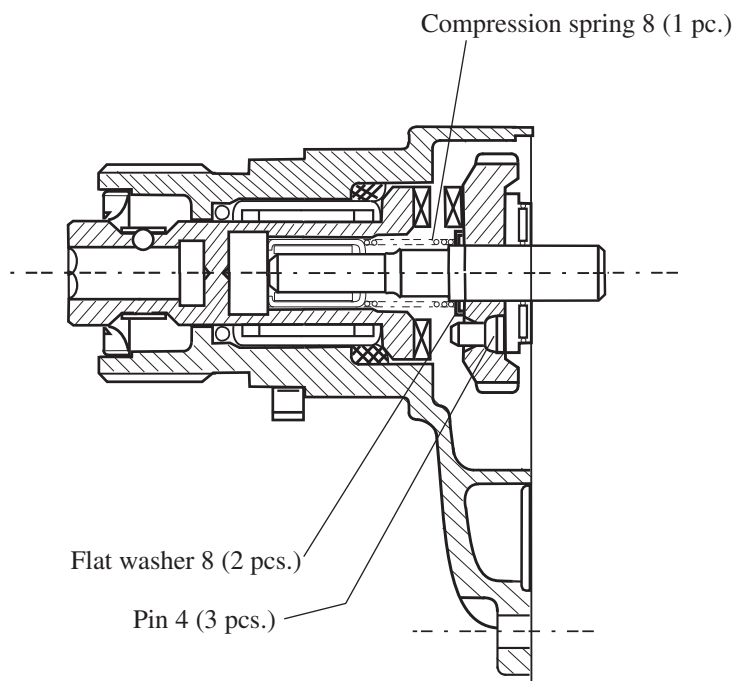


Fig.5

< 6 > Makita grease No.1 have to be applied to the parts illustrated below.
(see Fig.6 and Fig.6A.)

(6823TP)

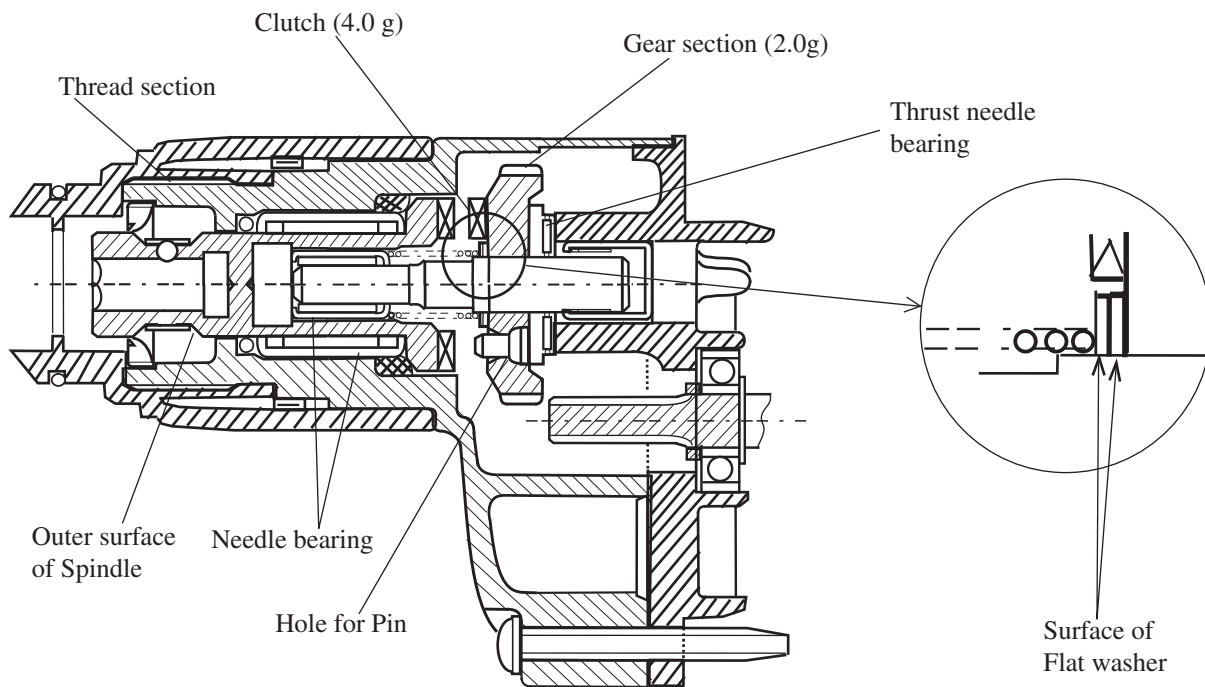


Fig.6

(6824TP, 6825TP)

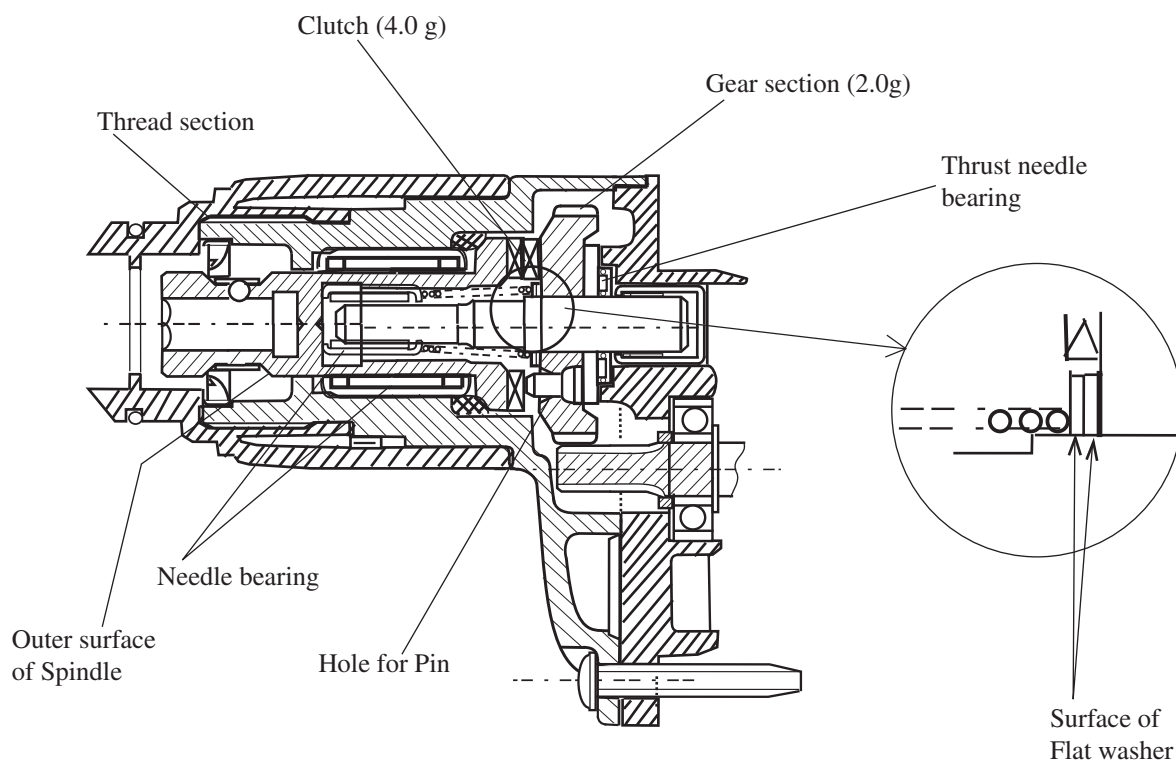


Fig.6A

< 7 > Removing and assembling gear housing cover

(Removing)

Loosen pan head screw M4x8. Pulling out gear housing cover from motor housing by approx. 10mm.
Remove gear housing cover from motor housing.

(Assembling)

Assemble gear housing cover on motor housing with being careful not to damage lead wires.
Fasten it on motor housing with pan head screw M4x8.

(see Fig.7)

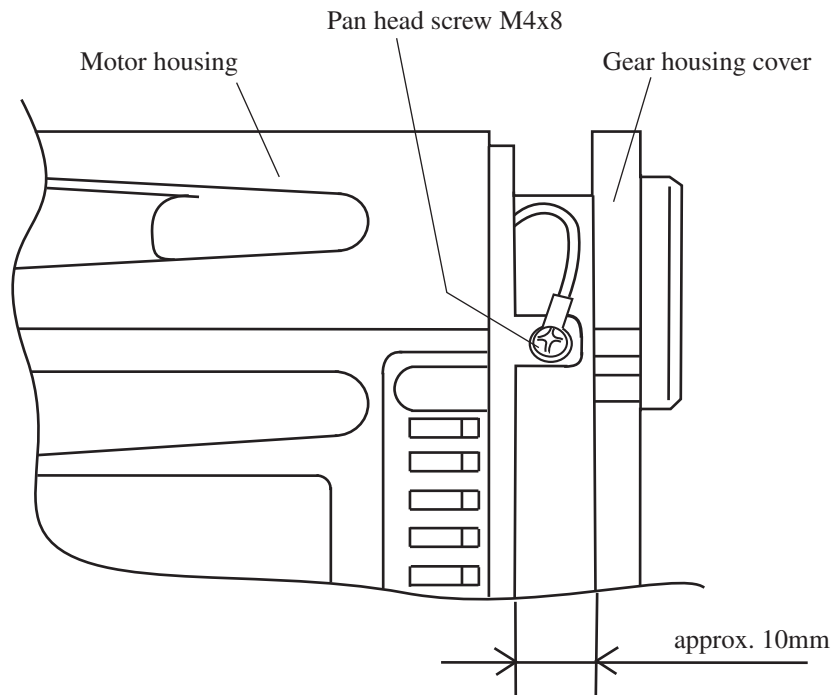
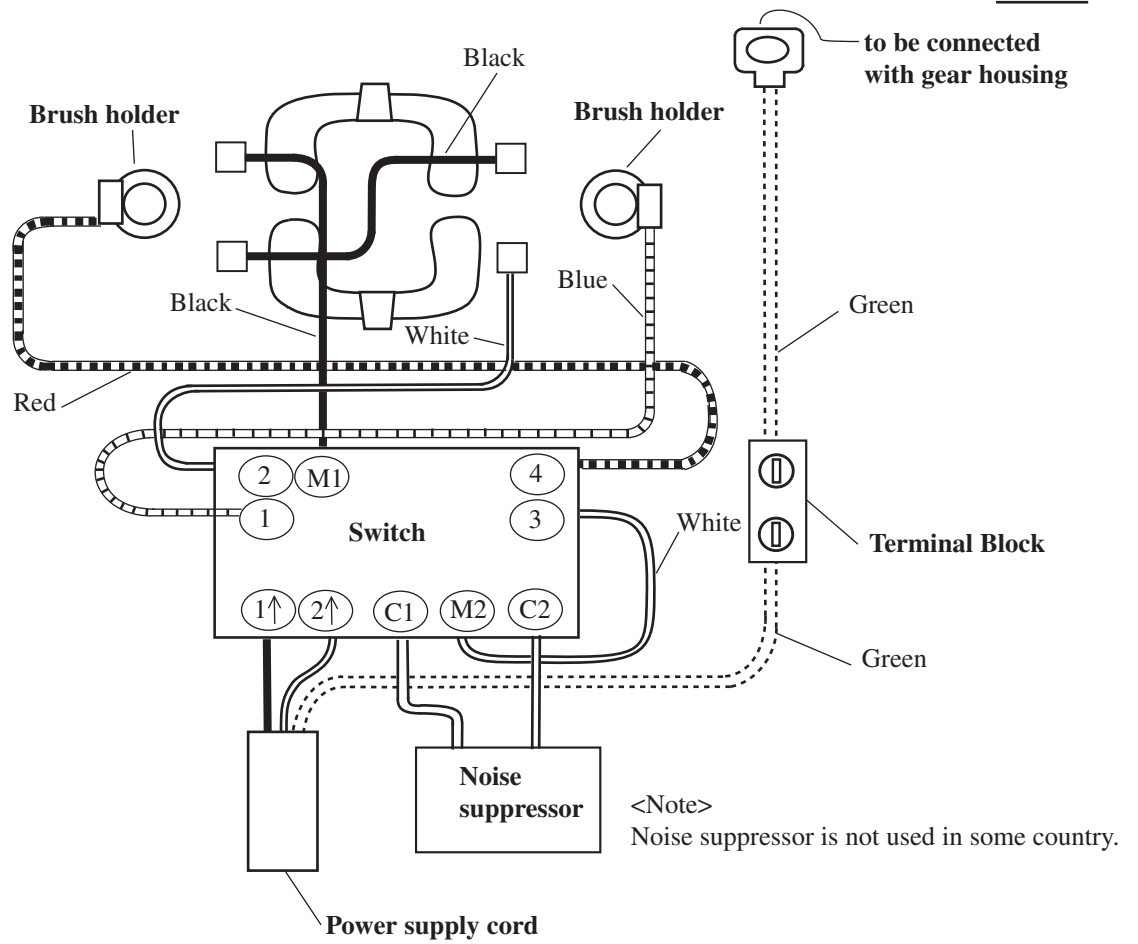


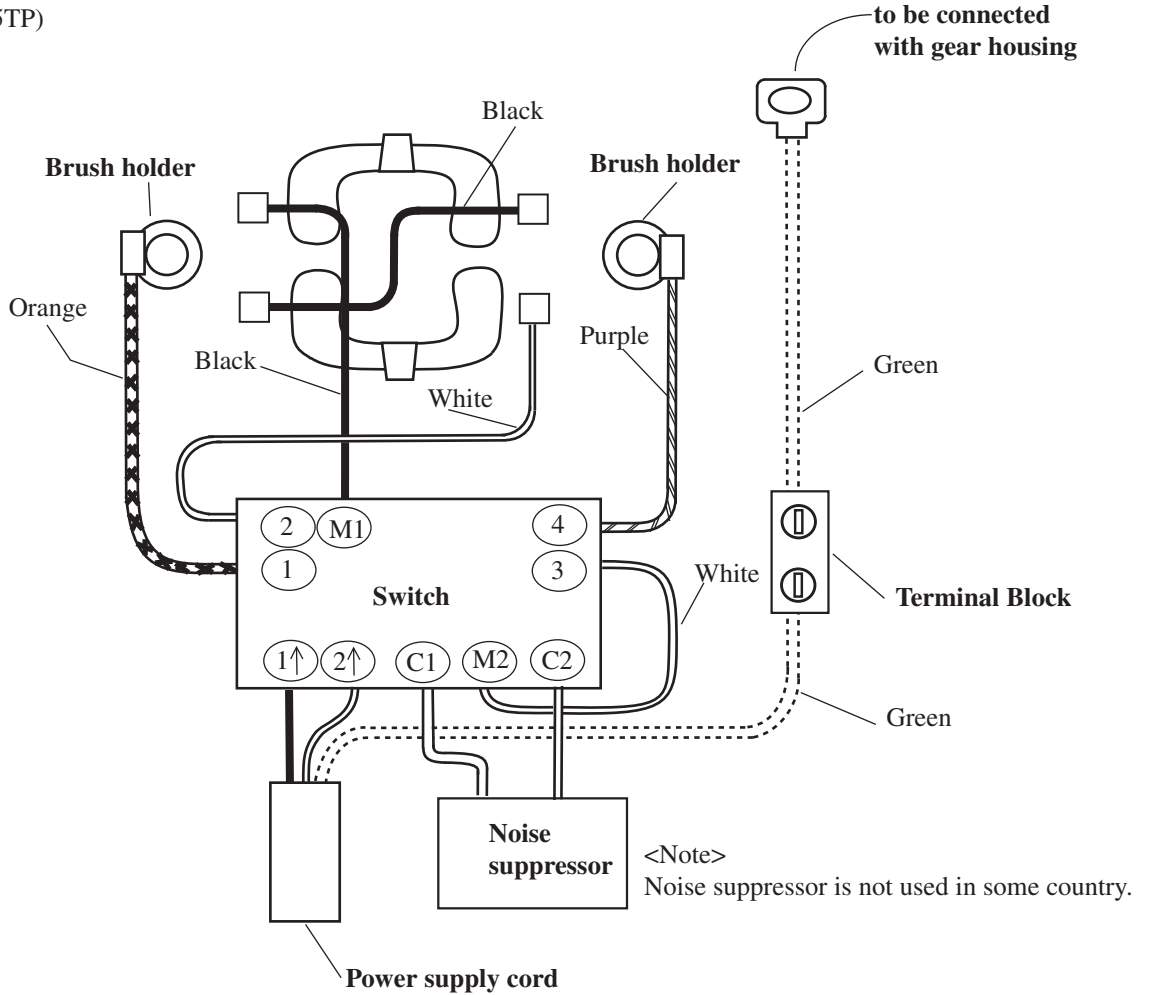
Fig.7

▶ Circuit diagram

(6823TP)

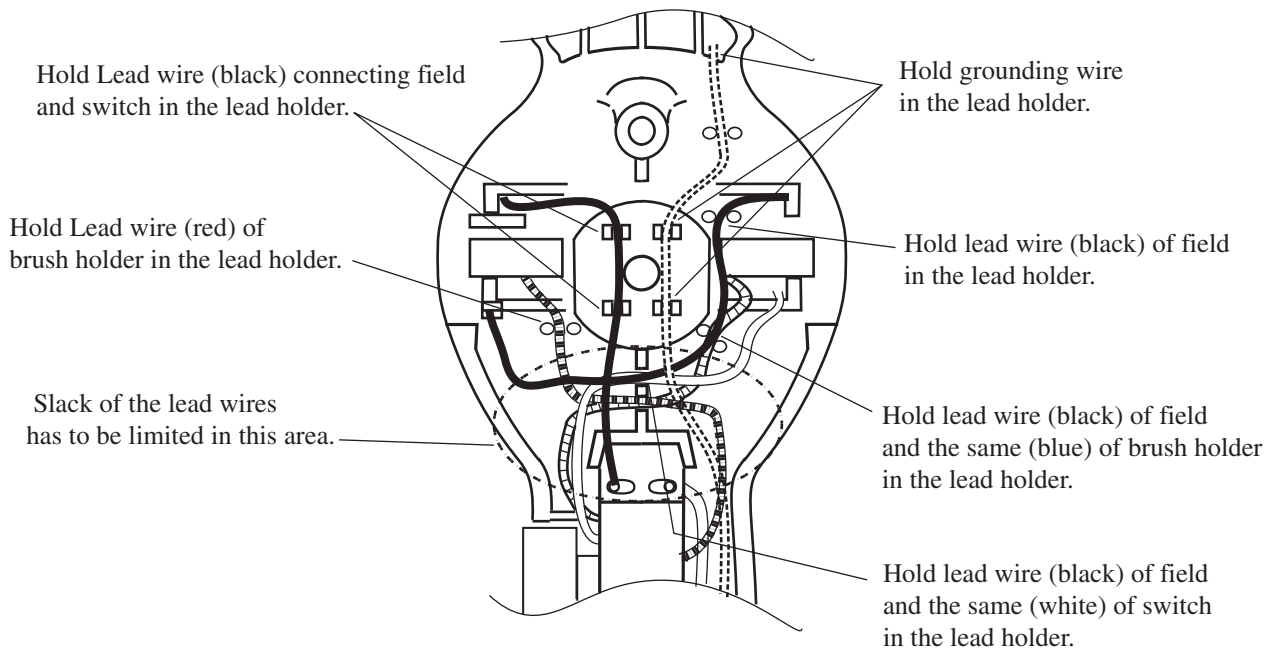


(6824TP, 6825TP)

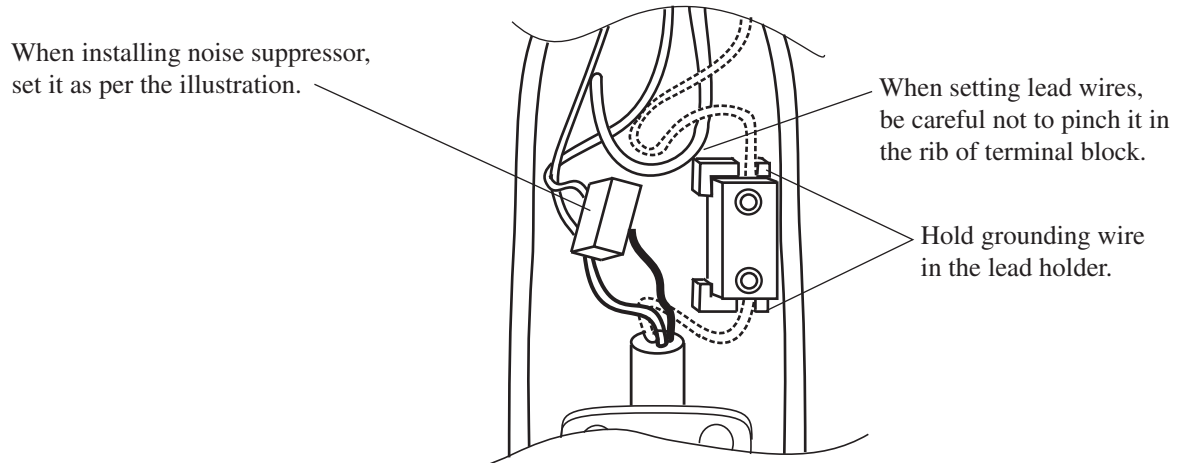


► **Wiring**
(6823TP)

Wiring in upper part of switch

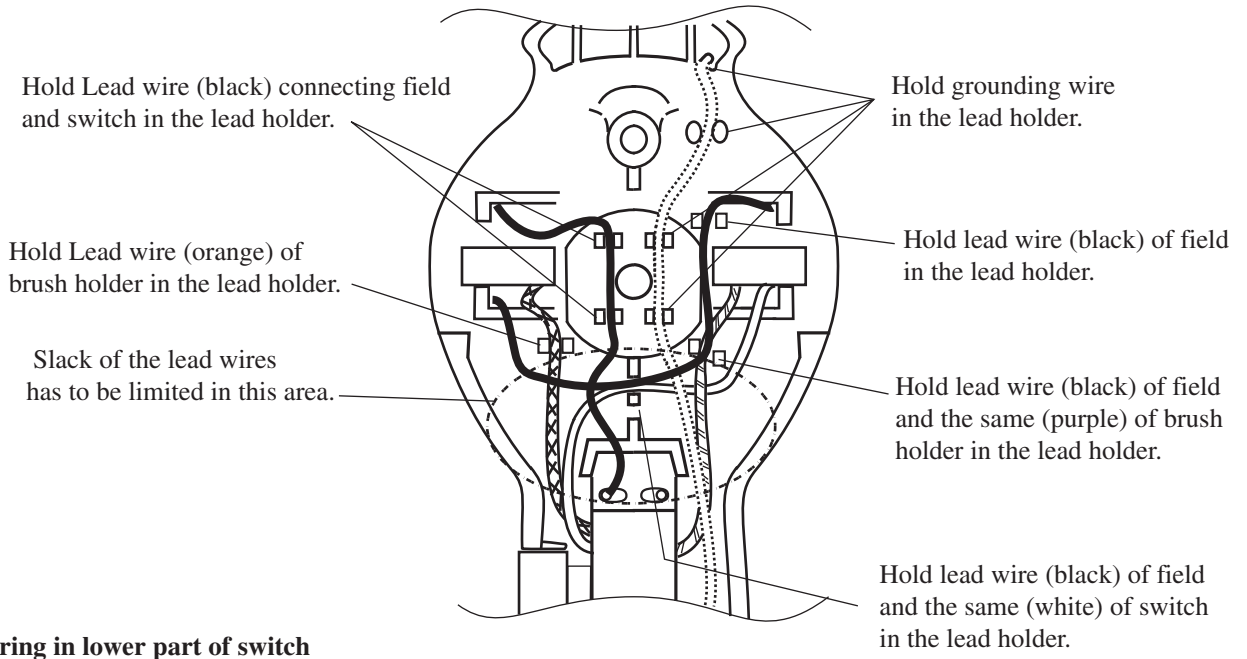


Wiring in lower part of switch



► **Wiring**
(6824TP, 6825TP)

Wiring in upper part of switch



Wiring in lower part of switch

