

TECHNICAL INFORMATION



NEW TOOL

P 1 / 10

Models No. ▶ 9562, 9565, 9562C, 9562CV, 9565C, 9565CV

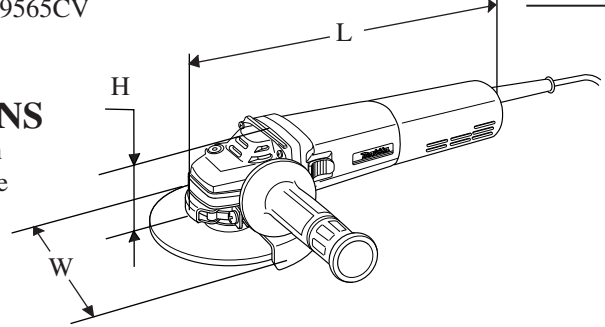
Description ▶ Angle grinder 125mm (5")

CONCEPTION AND MAIN APPLICATIONS

New series of 125mm (5") angle grinders are equipped with Super Joint System (SJS) for protection of user and machine from the shock by accidental spindle lock.

9562C and 9565C are equipped with electronic feature for constant speed, current limiting and soft start, beside Super Joint System (SJS).

9562CV and 9565CV are equipped with electronic speed control, in addition to the features of 9562C and 9565C.



Dimensions : mm (")		
Model No.	9562, C, CV	9565, C, CV
Width (W)	139 (5-1/2)	139 (5-1/2)
Height (H)	103 (4)	103 (4)
Length (L)	289 (11-3/8)	299 (11-3/4)

► Specification

Model No.	Current (A)					Cycle (Hz)	Continuous Rating (W)		Max. Output(W)
	110V	120V	220V	230V	240V		Input	Output	
9562	—	7.0	3.8	3.7	3.5	50 / 60	800	480	1,000
9565	8.6	7.9	4.3	4.1	3.9	50 / 60	900	540	1,300
9562C/CV	—	9.6	5.3	5.0	4.8	50 / 60	1,100	660	1,600 (120V) 1,800 (220 - 240V)
9565C/CV	—	12.0	6.7	6.4	6.1	50 / 60	1,400	840	2,000 (120V) 2,400 (220 - 240V)

Specifications		Model No.	9562	9562C	9562CV	9565	9565C	9565CV
Wheel size : mm (")	Diameter	125 (5)						
	Hole diameter	22.23 (7/8)						
	Thickness	6 (1/4)						
No load speed : (min -) = rpm)	North America	10,500	2,800 -10,500	10,500	2,800 -10,500	11,000	2,800 -11,000	11,000
	Other countries	11,000	2,800 -11,000	11,000	2,800 -11,000	11,000	2,800 -11,000	11,000
Super joint system (S J S)		Yes						
Electronic	Current limiter	No	Yes	Yes	No	Yes	Yes	
	Speed control dial	No	No	Yes	No	No	Yes	
	Soft starter	No	Yes	Yes	No	Yes	Yes	
	Constant speed	No	Yes	Yes	No	Yes	Yes	
Cord length : m (ft)		2.5 (8.2)						
Net weight :Kg (lbs)		1.7 (3.7)			1.8 (4.0)			

► Standard equipment

- * Grip 36 complete 1 pc.
- * Lock nut wrench 20 1 pc.
- * Depressed center wheel 125-36..... 1 pc.

< Note > The standard equipment for the tool shown may differ from country to country.

► Optional accessories

- * Depressed center wheel 125-24, 36
- * Rubber pad 115
- * Lock nut 14-48
- * Dust collection wheel guard
- * Abrasive disc 125-24,30,50,120
- * Wire cup brush set 90 mm
- * Wheel cover for wire cup brush 90 mm set
- * Inner flange 47 assembly
- * Diamond wheel 125

Electronic limiter for 9562C/CV, 9565C/CV

stops the electric current when accidental over load on the machine, and protects motor from burning. And when the machine will be freed from the load, restart the motor automatically. At this time, the soft starter functions for suppression of starting shock.

Electronic controller for 9562C/CV, 9565C/CV

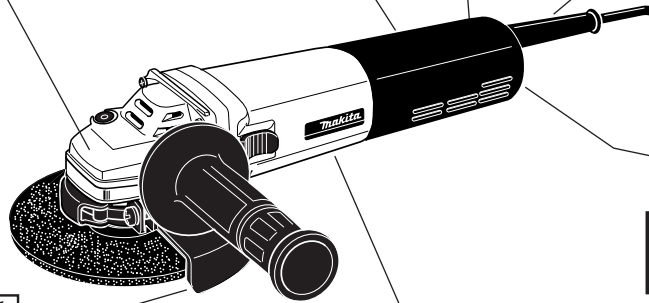
for keeping constant rpm. even under loaded condition, and for suppressing starting shock.

High sealed gear housing

to prevent leaking of grease

Tough Cord guard

excellent in flexibility to protect power supply cord from disconnection.



Adjustable wheel cover's position

Wheel cover's position can be adjusted without any tool.

Speed control dial for 9562CV and 9565CV

for getting optimum rotating speed to suit various work piece.

High power and tough motor

9565C/CV: 1,400W
9562C/CV: 1,100W
9565 : 900W
9562 : 800W

High power from slim and compact body thanks to new S60 type motor and electronic control system.(only Model 9565C/CV and 9562C/CV)
 Jig zag, and powdered varnish coating on armature and field ensure effective protection from sharp grinding dust.

Super Join System - SJS

Lock spring joining spiral bevel gear and armature shaft provides following benefits.

- * Smooth and comfortable grinding work.
- * Suppression of shock by accidental wheel lock during work.
- * Prevention of damage on gear coming from accidental wheel lock.

Protection from dust

	Dust proof bearing	Labyrinth structure	Dust proof washer
Fan side of armature	X	○ Double Labyrinth	○
Commutator side of armature	○	○	○
Wheel side of spindle	** ○	○	X

**○: The spindle portion is protected from not only dust but also intruding water firmly.

		Products without speed control						
Manufacturer		MAKITA				BOSCH		
Model No.		9562	9562C	9565	9565C	GWS9-125	GWS10-125C	GWS14-125C
Wheel diameter: mm (")		125 (5)				125 (5)	125 (5)	125 (5)
Power input (W)		800	1,100	900	1,400	900	1,020 ** (920)	1,400
No load speed : (min -1= rpm)		11,000 *(10,500)				11,000	11,000 *(10,500)	11,000
Motor size		S60-45		S60-55		58-56	58-42	58-56
Clutch (Super joint system)		Yes	Yes	Yes	Yes	No	No	No
Electronic features	Soft start	No	Yes	No	Yes	No	Yes	Yes
	Constant speed	No	Yes	No	Yes	No	Yes	Yes
	Current limiter	No	Yes	No	Yes	No	Yes	Yes
	Speed control dial	No	No	No	No	No	No	No
Auto break carbon brush		Yes	Yes	Yes	Yes	Yes	Yes	Yes
Net weight : Kg (lbs)		1.7 (3.7)	1.7 (3.7)	1.8 (4.0)	1.8 (4.0)	1.75 (3.9)	1.6 (3.5)	1.8 (4.0)

*(10,500) : for North America

** (920) : for North America

		Products without speed control							
Manufacturer		MAKITA				HITACHI	FLEX		
Model No.		9562	9562C	9565	9565C	G13YA1	L1710	L1109FE	L1710FRA
Wheel diameter: mm (")		125 (5)				125 (5)	125 (5)		
Power input (W)		800	1,100	900	1,400	1,010	1,000	1,010	1,400
No load speed : (min -1= rpm)		11,000 *(10,500)				9,000	10,000	10,000	10,000
Motor size		S60-45		S60-55		55-55	62.5-58	62.5-45	62.5-58
Clutch (Super joint system)		Yes	Yes	Yes	Yes	No	No	No	No
Electronic features	Soft start	No	Yes	No	Yes	Yes	No	Yes	Yes
	Constant speed	No	Yes	No	Yes	Yes	No	Yes	Yes
	Current limiter	No	Yes	No	Yes	Yes	No	Yes	Yes
	Speed control dial	No	No	No	No	No	No	No	No
Auto break carbon brush		Yes	Yes	Yes	Yes	Yes	No	No	No
Net weight : Kg (lbs)		1.7 (3.7)	1.7 (3.7)	1.8 (4.0)	1.8 (4.0)	2.1 (4.6)	1.9 (4.2)	1.6 (3.5)	1.9 (4.2)

*(10,500) : for North America

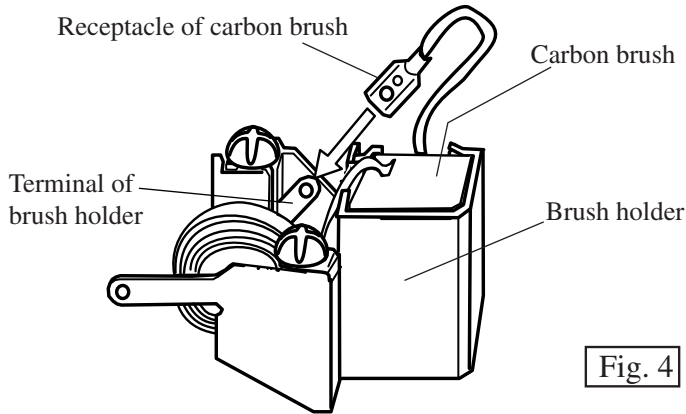
(Angle grinders 125mm)

		Products with speed control				
Manufacturer		MAKITA		BOSCH		Metabo
Model No.		9562CV	9565CV	GWS10-125CE	GWS14-125CE	WE14-125Plus
Wheel diameter: mm (")		125 (5)		125 (5)		125 (5)
Power input (W)		1,100	1,400	1,020	1,400	1,400
No load speed : (min -1= rpm)		2,800 - 11,000 *(2,800 - 10,500)		2,800 - 11,000		7,000 - 10,500
Motor size		S60-45	S60-55	58-42	58-56	—
Clutch (Super joint system)		Yes	Yes	No	No	Yes
Electronic features	Soft start	Yes	Yes	Yes	Yes	Yes
	Constant speed	Yes	Yes	Yes	Yes	Yes
	Current limiter	Yes	Yes	Yes	Yes	Yes
	Speed control dial	Yes	Yes	Yes	Yes	Yes
Auto break carbon brush		Yes	Yes	Yes	Yes	Yes
Net weight : Kg (lbs)		1.7 (3.7)	1.8 (4.0)	1.6 (3.5)	1.8 (4.0)	1.9 (4.2)

*(2,800 - 10,500) : for North America

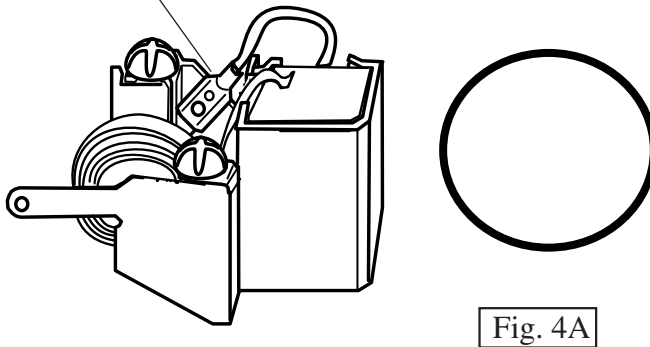
Attaching carbon brush

Connect the receptacle of carbon brush with the terminal of brush holder by pushing in the direction of the arrow, as illustrated in Fig. 4.

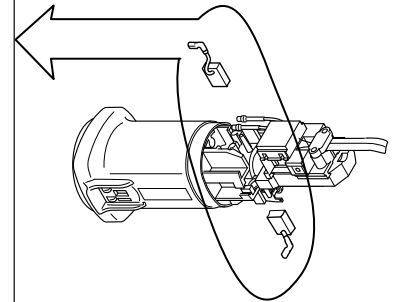
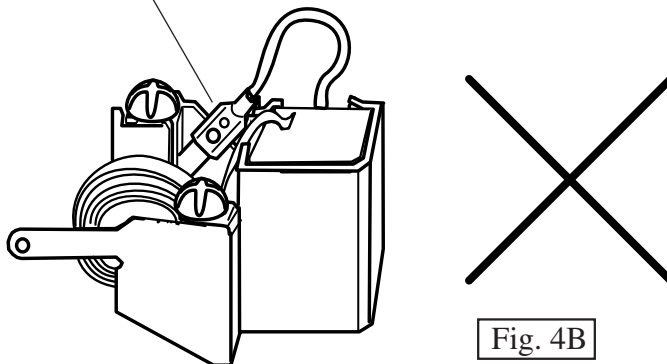


Push the receptacle of carbon brush until it stops as illustrated in Fig. 4A.

Completely attached receptacle of carbon brush



Incompletely attached receptacle of carbon brush

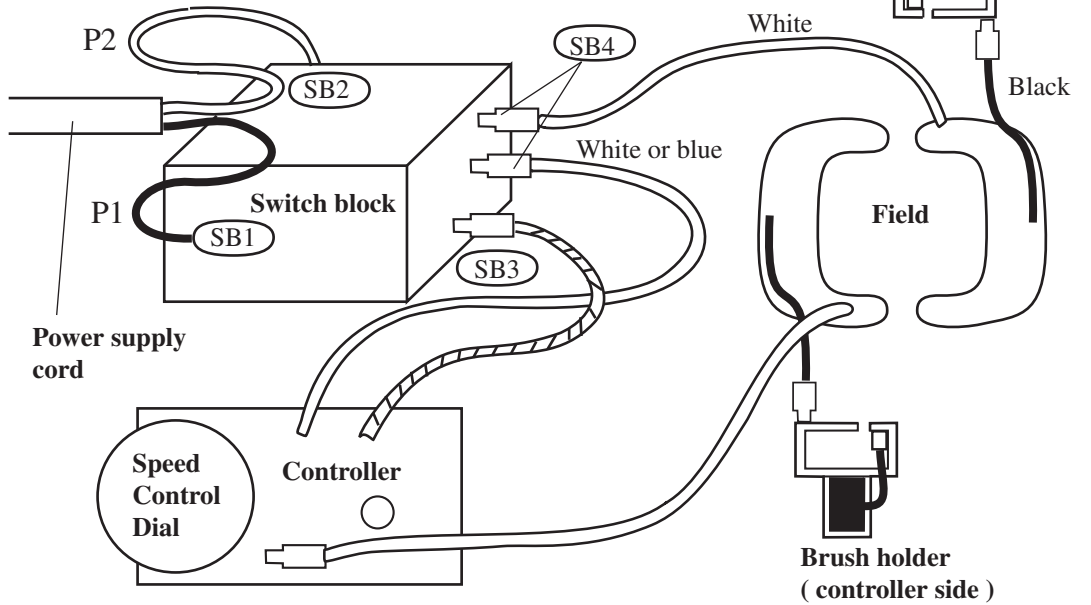


Model 9562C,CV / Model 9565C,CV

with electronic features

Model 9562C and 9565C : without speed control dial

Model 9562CV and 9565CV : with speed control dial



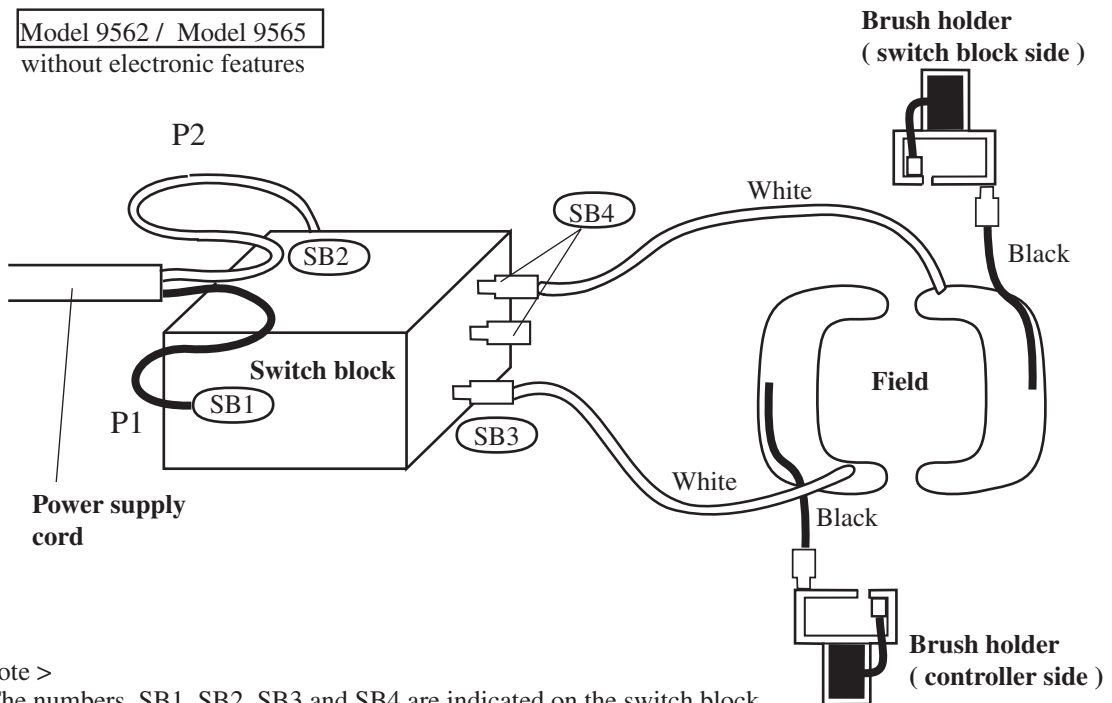
< Note >

The numbers, SB1, SB2, SB3 and SB4 are indicated on the switch block.

Fig. 5

Model 9562 / Model 9565

without electronic features



< Note >

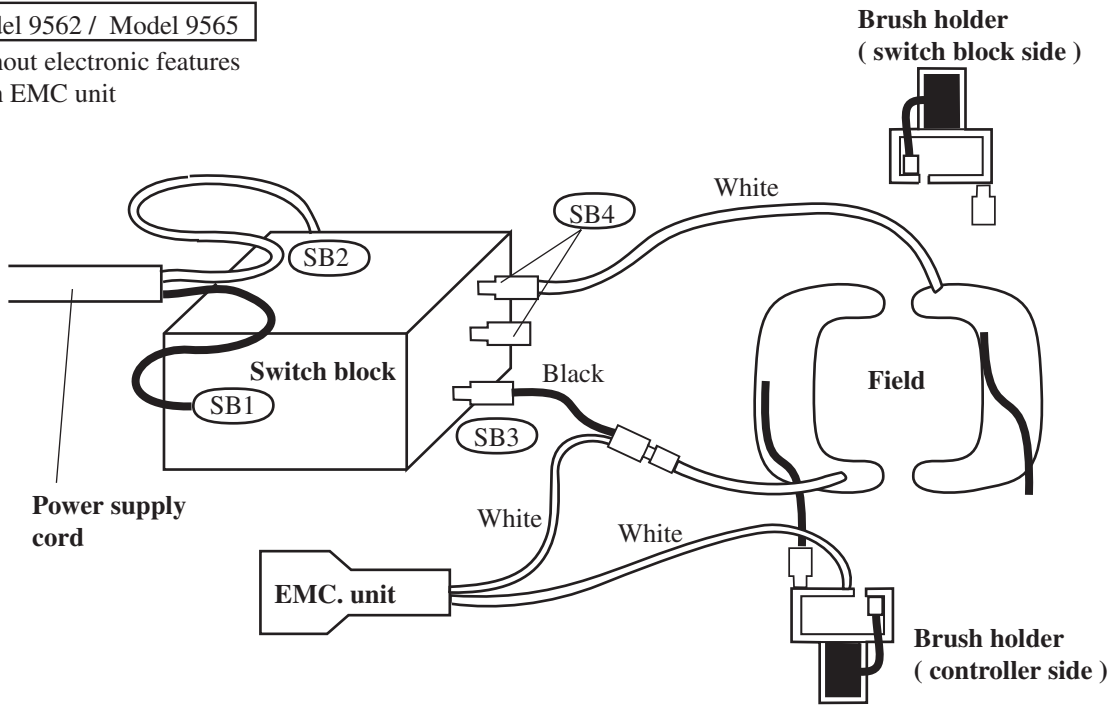
The numbers, SB1, SB2, SB3 and SB4 are indicated on the switch block.

Fig. 6

▶ Circuit diagram

Model 9562 / Model 9565

without electronic features
with EMC unit



▶ Wiring diagram

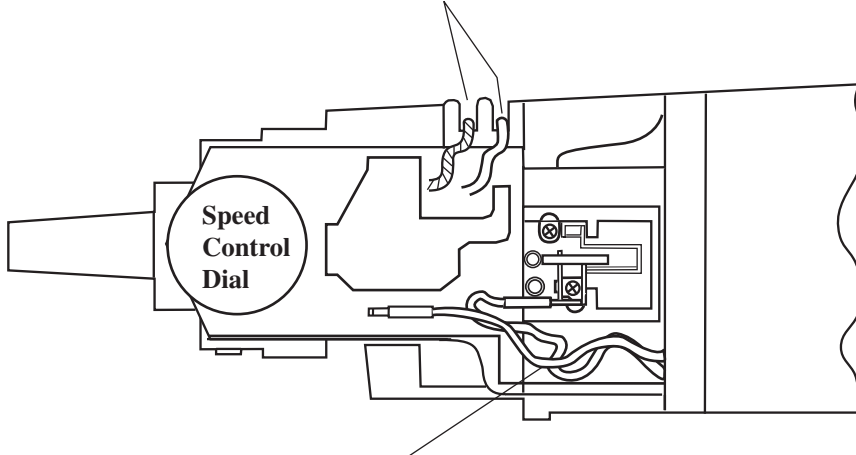
Model 9562C,CV / Model 9565C,CV

with electronic features

Model 9562C and 9565C : without speed control dial

Model 9562CV and 9565CV : with speed control dial

Put the lead wires of controller in the lead holder so that they are not slacken.



Be careful not to loosen the lead wires of field in motor housing. Put the loosened lead wires in the above place.

Fig. 7

Model 9562C,CV / Model 9565C,CV

with electronic features

Put lead wires of power supply cord by strain relief as illustrated in Fig. 8.

Do not loosen the lead wires of filed in motor housing. Put the loosened ones in the place as illustrated in Fig.8.

Fix lead wires of controller with lead holder.

Put their slack part in the place as illustrated in Fig.8.

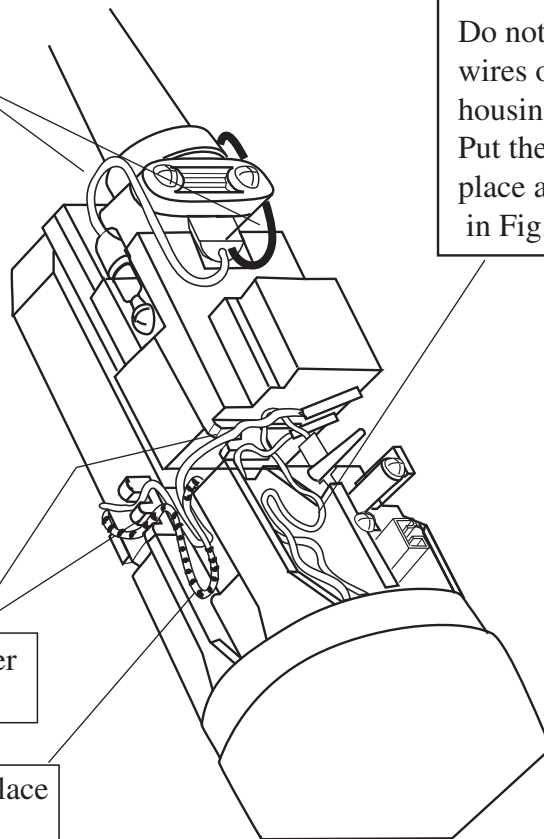


Fig. 8

Model 9562 / Model 9565
without electronic features

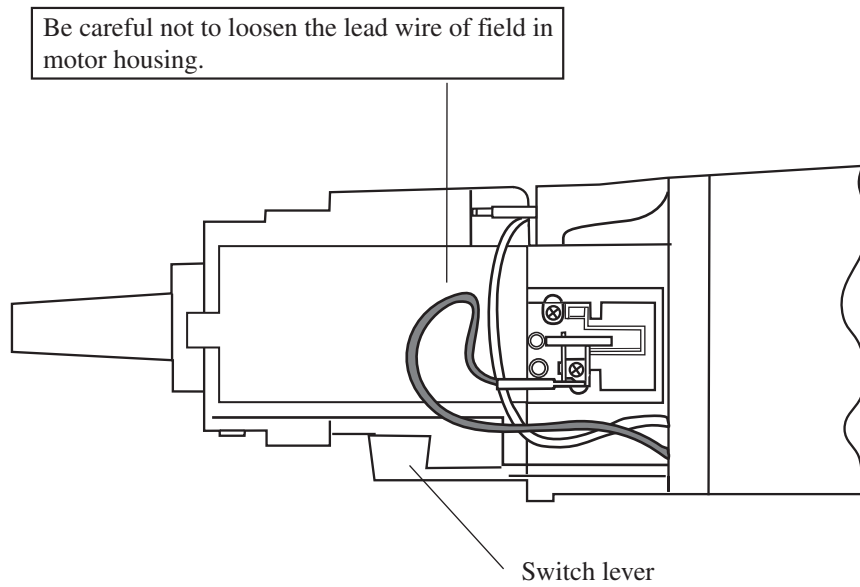


Fig. 9

Model 9562 / Model 9565
without electronic features

Put lead wires of power supply cord by strain relief as illustrated in Fig. 10.

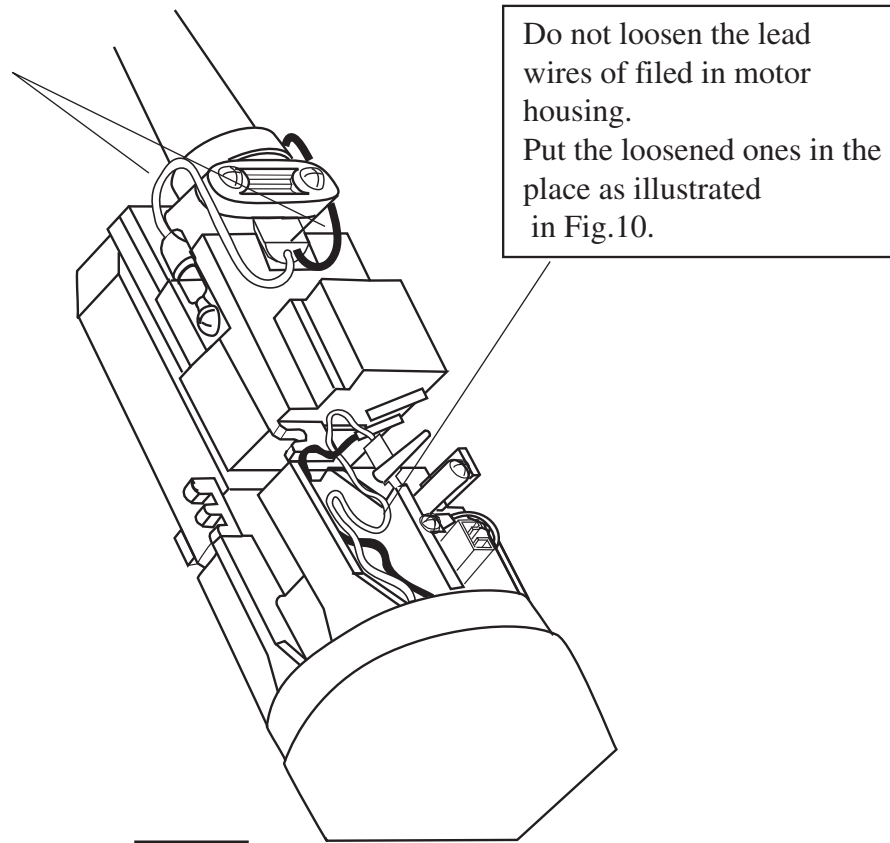


Fig. 10

Model 9562 / Model 9565

without electronic features
with EMC unit

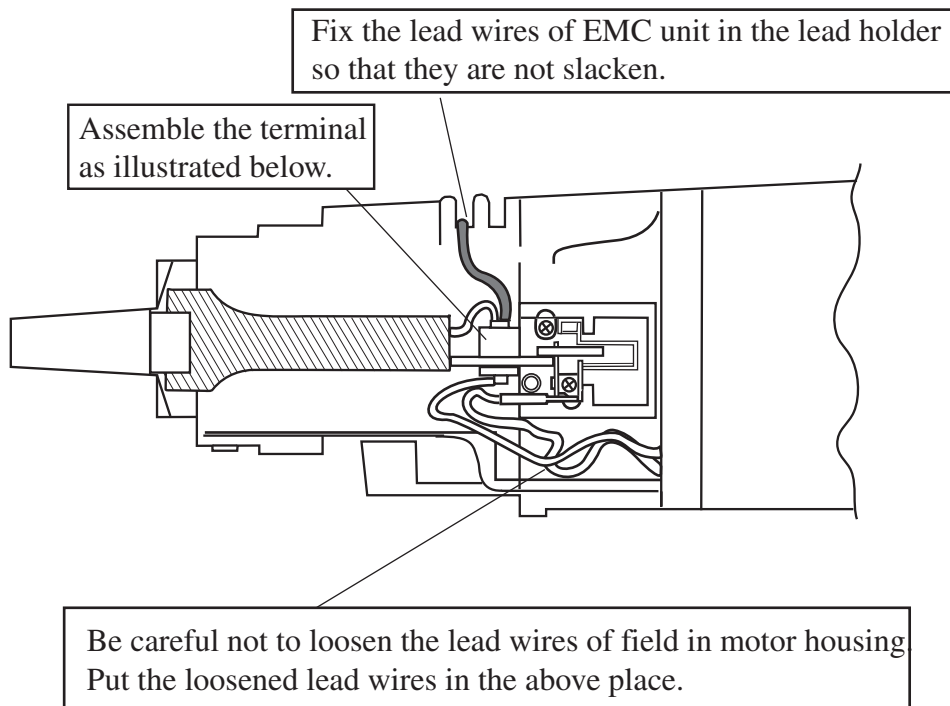


Fig. 11

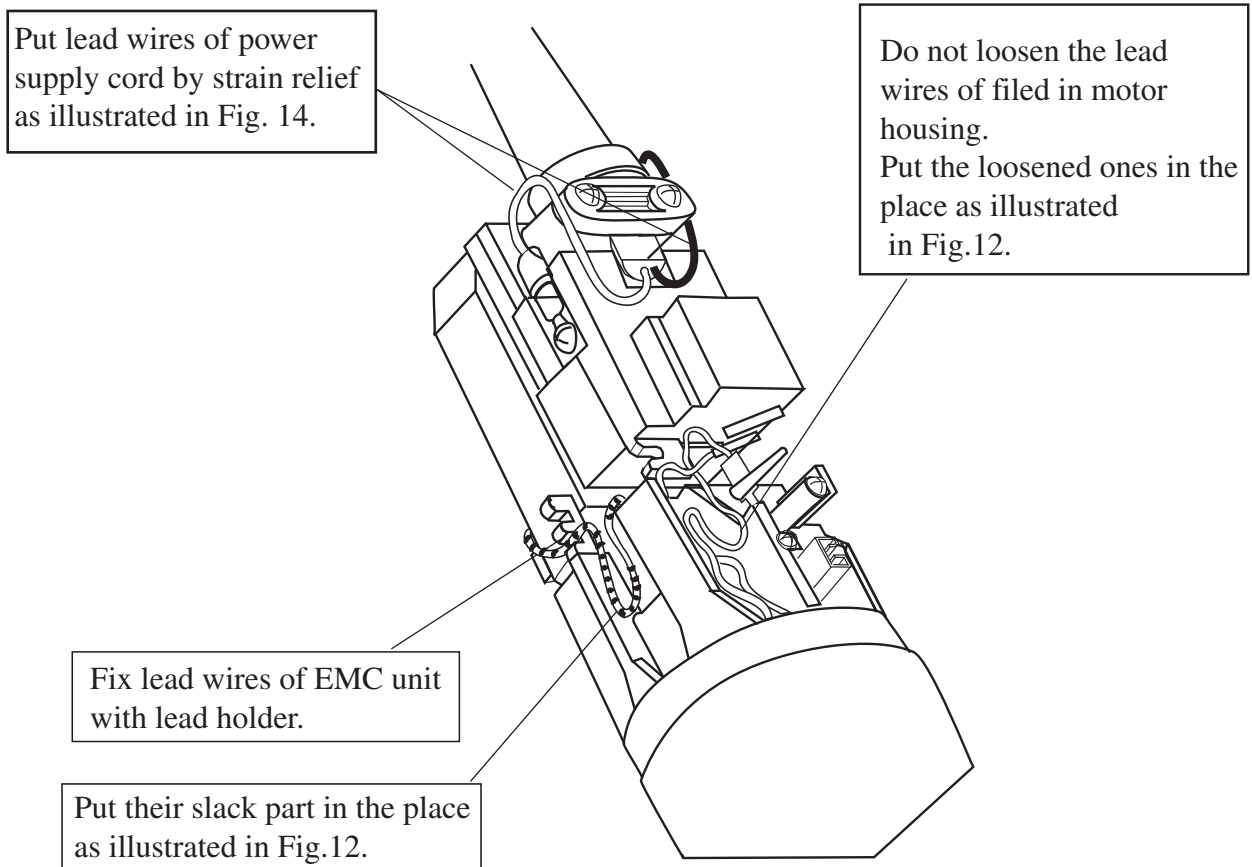


Fig. 12