

TECHNICAL INFORMATION



New Tool

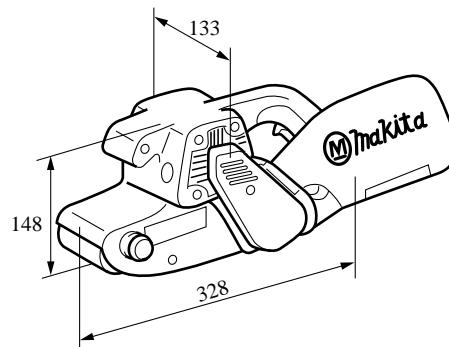
Models No. ▶ 9901

Description ▶ MAKITA 76 mm Belt sander

CONCEPT AND MAIN APPLICATIONS

This machine has been developed, considering the safety, well balancing and low cost, according to the request from overseas. The sanding shoe for grinding the flat face and the belt sander stand for grinding the small articles are provided as the optional accessories.

The color of the M992 housing is the light green changed from the green for the 9901. This machine is for export purpose so far. The red color housing is used for exporting to the U.S.



► Specifications

Voltage (V)	Current (A)	Frequency(Hz)	Continuous rating		Max. Output(W)
			Input(W)	Output(W)	
100	7.7	50/60	740	330	610
115	6.7	50/60	740	330	610
200	3.9	50/60	740	330	610
220	3.5	50/60	740	330	610
230	3.3	50/60	740	330	610
240	3.2	50/60	740	330	610

Belt speed	380 m/min
Belt size	76 mm x 533 mm(3" x 21")
Sanding area	76 mm x 110 mm,
Net weight	3.5 kg
Power supply cord	2 m

► Standard equipment

Sanding belt AA 40, 60, 80, 120 --- One piece for each (only domestic)

► Optional accessories

Sanding belt AA 40, 60, 80, 100, 120, 150, 180, 240 (For steel and wood)

Sanding belt CC 40, 60, 80, 100, 120, 150, 180, 240 (For resin and stone material)

Belt sander stand (See page 2/3.) Sanding shoe assembly (See page 3/3.)

► Features and benefits

Features :

1. The minimized decentering between the machine gravity center and the center of sanding belt enables the stable working.
2. With the improved dust collecting capacity, the dust of 80 - 85% of the total grinding amount can be absorbed.
3. With the flash side structure, even the wall side can be ground.
4. The fingers are protected from being caught in by the shielding covering the roller and the movable point of the sanding belt.

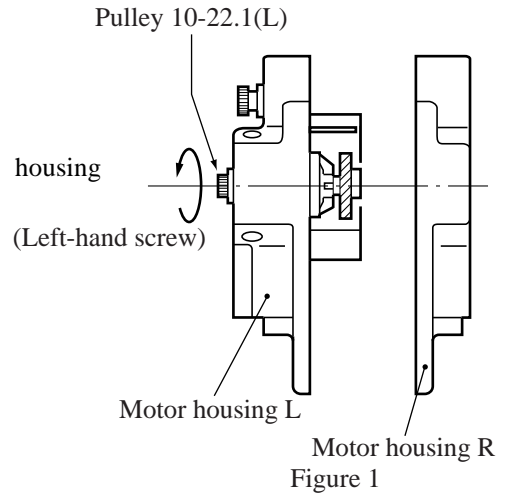
The standard equipment for the tools shown may differ form country to country

► Repair

Cautions in assembling

Fastening of the pulley

- a) Fasten the pulley 10-22.1(L) before assembling the motor housing R.(Figure 1)



- b) Use the lock nut wrench *20 to fasten the pulley 38.3 while holding the shaft of driving roller using the spanner 13. Strongly fasten it.
*: The lock nut wrench 20 is the accessory for 100 mm Disk grinder.

