

# TECHNICAL INFORMATION



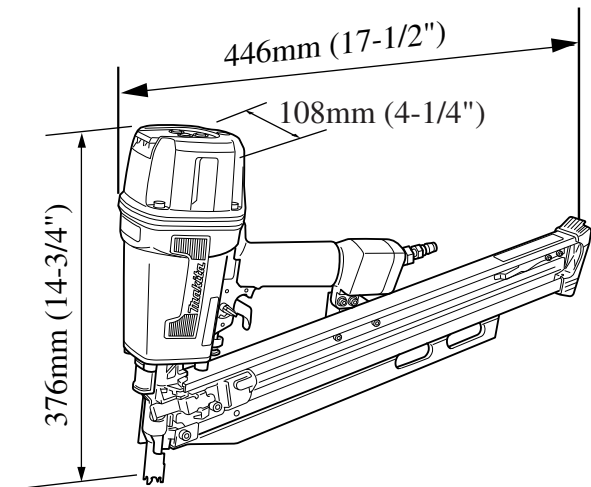
Product

**Models No.** ▶ AN942

**Description** ▶ Makita Pneumatic construction nailer

## CONCEPTION AND MAIN APPLICATIONS

This model was developed as the more durable for 2 x 4 construction method.



## ▶ Specifications

<b>Operating air pressure</b>	0.44-0.83MPa ( 4.5 to 8.5 kgf/cm <sup>2</sup> G 65-120 PSIG)
<b>Nail size</b>	2.9mm in diameter and 50 mm in length (0.113" in diameter and 2" in length)
	4.1mm in diameter and 90 mm in length (0.131" in diameter and 3/1/2" in length)
<b>Nail capacities</b>	60 - 84 nails
<b>Net Weight(kg)</b>	3.8 kg (8.4lbs)

## ▶ Standard equipment

- Oiler (containing #90 turbine oil: 30cc)
- Nose adaptor
- Safety goggles

The standard equipment for the tools shown may differ from country to country.

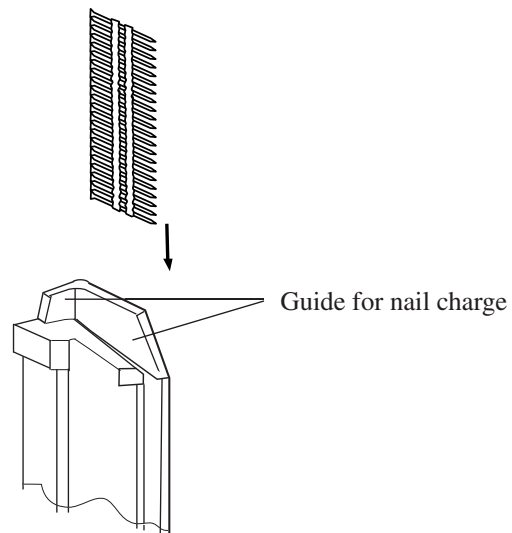
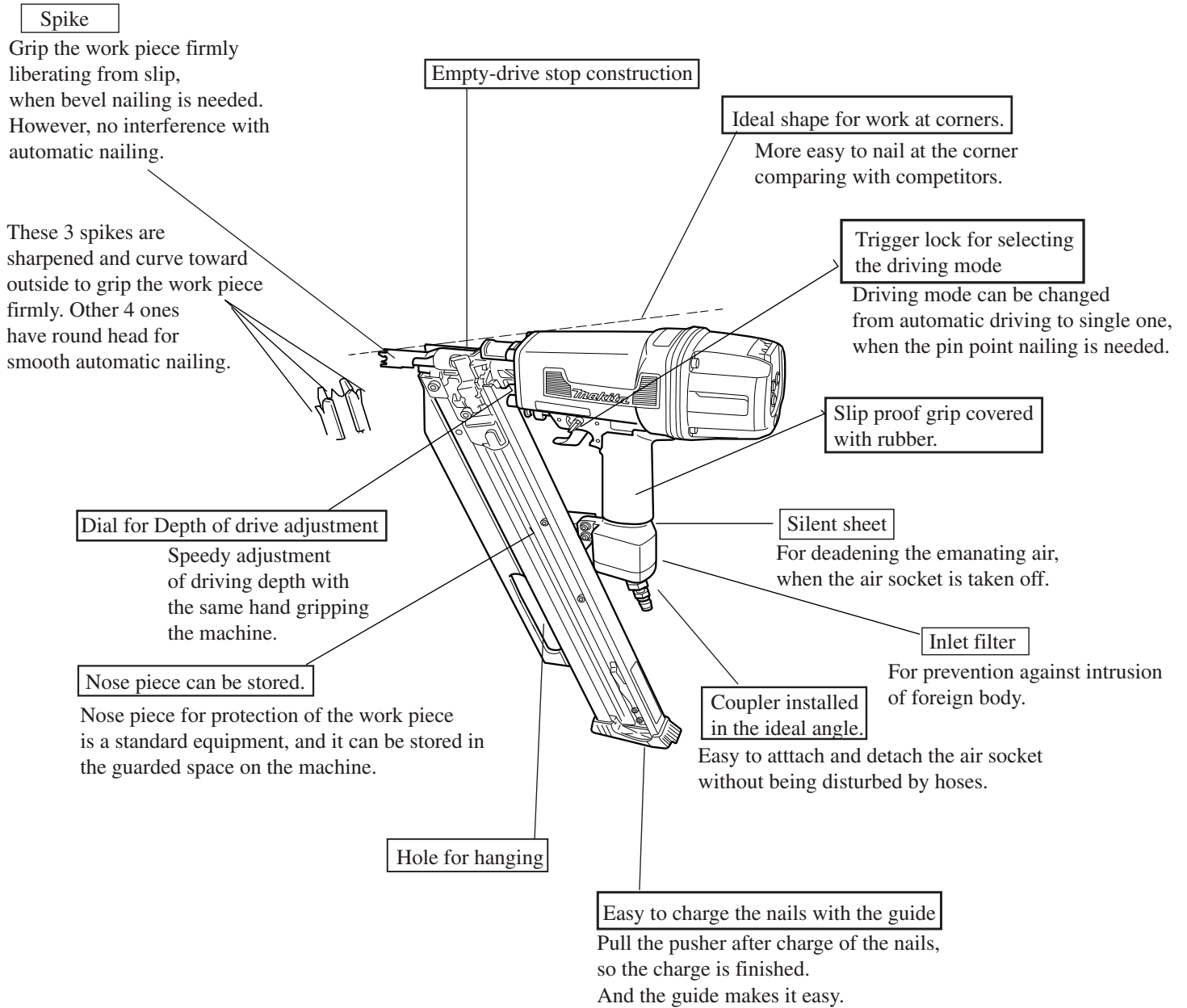
## ▶ Optional accessories

## ▶ Features and benefits

1. The spike on the nose has suitable form to grip the work piece, when bevel nailing is needed.
2. The nailing depth can be selected by the dial with indicator.
3. Nose piece which protects the work piece from scratching or any other damages, can be stored on the magazine side.
4. Grip locating on the same working line with the magazine provides good balance especially to left and right sides.
5. Easy to work also at the corner.
6. Trigger lock for selecting the single shooting mode, when the pin point nailing is needed. Miss-nailing can be avoided by this trigger lock.
7. Silent sheet for deadening the emanating air, when the air socket is taken off.

# ► Features

Model AN942



Bottom view of magazine

## Comparison

Spec. / Model		Makita	Competitor	Competitor	Competitor
		AN942			
Dimension	H	376mm (14-3/4")	360mm (14-1/8")	362mm (14-1/4")	340mm (13-1/2")
	W	108mm (4-1/4")	108mm (4-1/4")	106mm (4-1/4")	130mm (5")
	L	446mm (17-1/2")	425mm (16-3/4")	384mm (15")	493mm (19-1/2")
Actually measured weight (kg)		3.8 (8.4lbs)	3.8 (8.4lbs)	3.8 (8.4lbs)	3.5 (7.7 lbs)
No. of nails to be loaded		60 - 84	74 - 84	70 - 75	74 - 84
Nails available	Length	50 - 90 mm (2" - 3-1/2")	50 - 83 mm (2" - 3-1/4")	50 - 90 mm (2" - 3-1/2")	50 - 90 mm (2" - 3-1/2")
	Diameter	2.9 - 3.3mm (0.113" - 0.131")	2.9 - 3.3mm (0.113" - 0.131")	2.9 - 3.8mm (0.113" - 0.148")	2.9 - 3.3mm (0.113" - 0.131")
	Collation angle	31°	31°	31°	31°
Adjustment of nailing depth		Yes Toolless	Yes Tools are needed for adjustment.	Yes Tools are needed for adjustment	Yes Tools are needed for adjustment.
Prevention of empty nailing		Yes Effective at remainder in 3-5 nailers.	No	Yes Effective at remainder in 5 nailers.	Yes Effective at remainder in 5 nailers.
*Trigger action mode		1. Automatic 2. Single 3. Lock	Automatic	Single	Automatic
Silent sheet		Yes	No	No	No
Inlet filter		Yes	No	No	No
Slip proof Rubber Grip		Yes	No	Yes	Yes
Body Bumper					
Puher lock		No needed	Needed	No needed	Needed
Standard Equipment		Nose piece Oil Safety gogle	Hex wrench 5,6,8 Safety gogle	Nose piece	Safety goggles
Remarks		The standard equipment mentioned above may be different from countries to countries.			

\* Automatic: Nails are shot automatically with touching on the work piece.

Single : Refer to No.6 in "Features and benefits" at page 1.

Lock : Safety lock to prevent the accidental nailing.

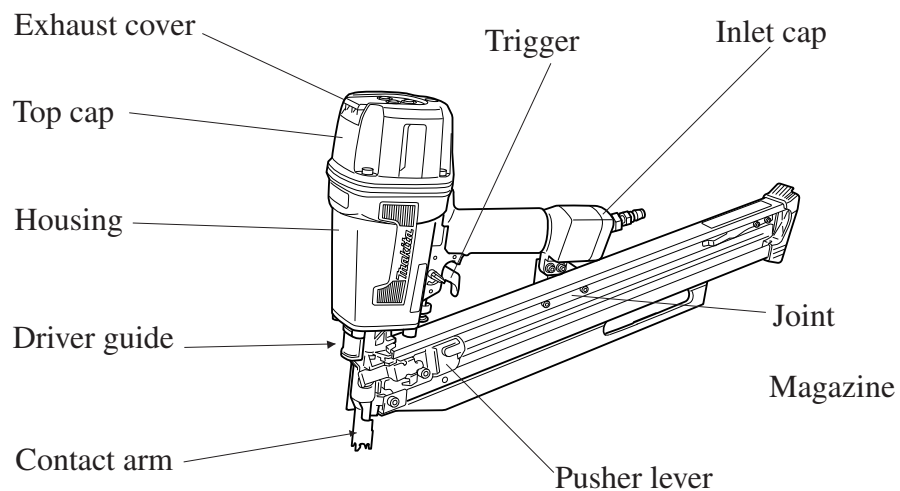
## ► Repair

Please refer to the following matters on the repair.

1. General instruction.
2. Dismounting of the head bulb section.
3. Mounting of the head bulb section.
4. Dismounting of the trigger section.
5. Mounting of magazine section.
6. Attaching of driver complete.
7. Repair to stop the leaking air.

### 1. General instruction

- I. O rings and O ring part which contacts the sliding parts, have to be coated with turbin oil (standard equipment), or grease (Isolex NB52), when the machine is mounted.
- II. Please refer to the following parts name.



### III. The bolts have to be fastened as follows.

Bolt and Bolt size	Fastening section	Fastening torque
Hex socket head bolt M6 x 25	Housing - Top cap	9 - 13 Nm (90 - 130 Kgf.cm)
Hex socket head bolt M5 x 30	Housing - Inlet cap	5 - 7 Nm (50 - 75 Kgf.cm)
Hex socket head bolt M8 x 25	Housing - Driver guide	20 - 30 Nm (200 - 300 Kgf.cm)

### IV. Confirm the following matters after mounting of the parts.

- \* Pusher can slide smoothly.
- \* Contact arm and trigger can move smoothly.
- \* Singly by pressing the trigger or contact arm, the machine does not start.