

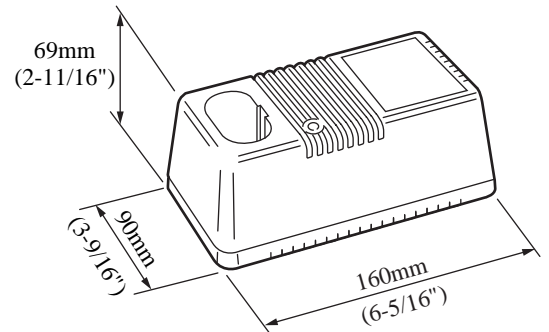
T ECHNICAL INFORMATION

Models No. ▶ DC1290

Description ▶ Fast charger

CONCEPTION AND MAIN APPLICATIONS

It is possible to charge the 9.6V Batteries of 9000,9100
12V Batteries of 1200, 1210, for 60 minutes.



► Specifications

Output voltage		DC 9.6V, 12V
Output current(A)		1.5
Charging time	60 min.	Batteries 9000, 9100, 1200, 1210
Weight(kg)(lbs)		0.9kg(2.0lbs)
Cord length(m)(ft)		2m(6.6ft)

► Standard equipment

None

► Optional accessories

None

► Features and benefits

It is charged automatically from 7.2V to 9.6V by the change leververy quickly.