

TECHNICAL INFORMATION



New Tool

Models No. ▶ DC1410

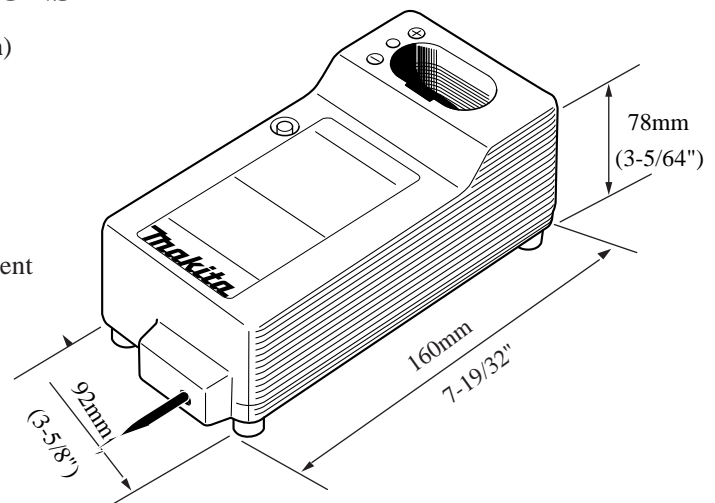
Description ▶ Fast charger

CONCEPTION AND MAIN APPLICATIONS

It is possible to charge the Batteries of high capacity(8.7Ah) ,such as #7001, #9001,#1201, #1211, for 60 minutes.

You can charge for only 45 minutes the Batteries of normal capacity (1.2Ah), such as #7000,#9000, #9100, #1200 and #1210.

Note 1) Batteries 1211 and 1210 are for only U.S.A. at present



► Specifications

Output voltage	DC7.2V, 9.6V, 12V	
Output current(A)	1.9	
Charging time	45 min.	Batteries 7000, 9000, 9100, 1200, 1210
	60 min.	Batteries 7001, 9001, 9101, 1201, 1211
Weight(kg)(lbs)	1.2kg(2.6lbs)	
Cord length(m)(ft)	2m(6.6ft)	

► Standard equipment

None

► Optional accessories

None

► Features and benefits

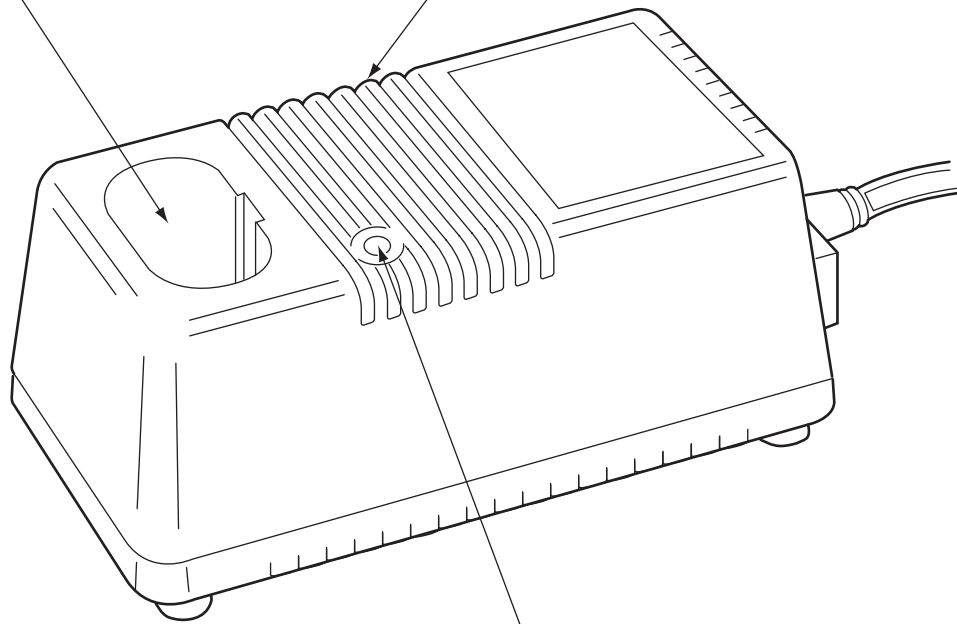
See the Page 2/2

<#DC1201>

"Electronic Buzzer"

When charging has finished or when charging is impossible, the buzzer will inform you.

"Even if you insert a hot battery just after use, it will start charging automatically when the battery temperature becomes lower."



"Display the Charging Condition by Red/Green Indicating Lights"

The lights indicate in case of : Before charging, Being charged, Finished charging, Waiting, Disorder of Battery.

30-minute-charging: Batteries 7001,
45-minute-charging: Batteries 7000,
(Note: Batteries 1211 and 1210 are only for U.S.A. at present.)