

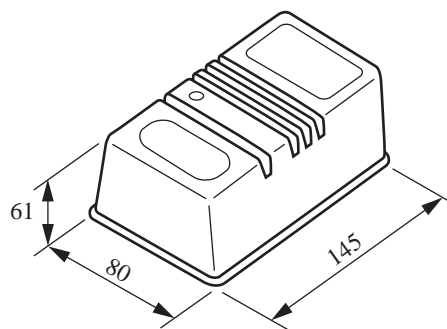
T ECHNICAL INFORMATION

Models No. ▶ DC7100

Description ▶ MAKITA Battery charger

CONCEPTION AND MAIN APPLICATIONS

DC7100 is the model modified from the DC7000 model by adding the thermal fuse to prevent overheating of the transformer.



▶ Specifications

Voltage(V)	Current(A)	Frequency(Hz)	Consumed power(W)	Rated output(W)	Max. output(W)
100	-	50-60	27	-	-
115	-	-	-	-	-
220	-	50-60	27	-	-
240	-	-	-	-	-

Output voltage	DC 7.2V
Output current	DC 1.5A
Charging time	One hour
Weight(kg)	0.7Kg
Cord length(m)	2m

(1.2 A for the export model)

▶ Standard equipment

None

▶ Optional accessories

None

▶ Features and benefits

1. The thermal fuse is installed in the transformer, and the housing is made of nonflammable plastic.

▶ Capacity

Same as for DC7000