

TECHNICAL INFORMATION



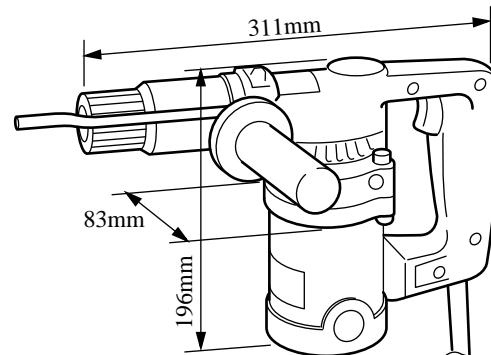
New Tool

Models No. ▶ HR1821

Description ▶ MAKITA Rotary Hammers

CONCEPTION AND MAIN APPLICATIONS

HR1820 is the remodeled type of HR 1800 for one touch easy bit replacement by changing the design of HR 1800 from the barrel to the tip so as to use the same chuck as HR 2510. Drilling efficiency on concrete is 20% up due to the use of same striking transfer system as HR2510. HR1820 is the model of double insulation and HR1821 is the model of single insulation with mounting the ground wire to HR1820 by request of the U.S.A. Difference between these two models is only the ground wire. Other structures are the same.



Specifications

Voltage (V)	Current (A)	Cycle (Hz)	Consumed power(W)	Rated output(W)	Max. Output(W)
100	5.2	50/60	505	145	280
115	4.5	50/60	505	145	280
200	2.6	50/60	505	145	280
220	2.4	50/60	505	145	280
230	2.3	50/60	505	145	280
240	2.2	50/60	505	145	280

No load speed(R.P.M.)	0-1000rpm	
Blows per minute	0-3500/min.	
Shank diameter(mm)	ø10	
Max. drilling capacity (mm)	Concrete	18mm
	Iron	10mm
	Wood	15mm
Net weight	3.1kg	
Cord length(m)	5m	

Standard equipment

- Stopper pole(for positioning of drilling depth)
- Dust collector(for overhead drilling)
- Pipet 54(for removing drilling chip)
- Grease for bit(for lubricating chuck portion)
- Hex. wrench

Optional accessories

- Carbide drill 6.5-18 (long size:16,18)
- Taper shank carbide drill 6.5-18 (long size:16,18)
- Taper shank adapter(No.1)
- Cotter
- Anchor No.2-No.4
- Plug anchor rod for exterior(for hand)
- Plug anchor rod for interior(for hand, for machine)
- Holder driver
- Drill chuck
- Chuck adapter
- Chuck key S10
- Lock nut wrench 28
- Grease for hammer 1302

The standard equipment for the tools shown may differ form country to country.

► Features and benefits

1. As this model uses the same chuck as the HR2510, drill bit is common to HR2510.
2. Drilling efficiency on concrete is 20% up compared with HR1800 by improvement of striking transfer mechanism.
3. Other features are the same as HR1800.
 - compact size and light-weight which make drilling on the floor, wall, and ceiling easy.
 - push-type switching system which makes selection of [rotation] or [rotation +striking] easy
 - Grease-pack system which needs no lubrication for 150 hours.
 - Dust collector which will prevent drilling dust from scattering even in overhead drilling work
 - Free-stop handle which can rotate 360° freely.
 - Cut-off brush which need no replacement for 150 hours

► **Repair**

Chuck and striking transfer portion at the tip have the same structure as HR2510, and other portions are the same as HR 1800. Refer to the technical reports; BL-0641 for HR1800 and BL-0803 for HR2510.