

T ECHNICAL INFORMATION



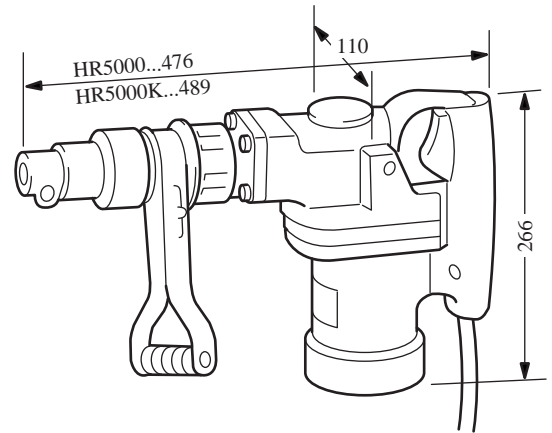
New Tool

Models No. ▶ HR5000, HR5000K

Description ▶ MAKITA Rotary hammer

CONCEPT AND MAIN APPLICATIONS

The purpose of developing this machine is that it should be as light as #HR3850. And with the same capacity to bore and chisel as that of #8050. You can change [Rotation+Hammering] to [Hammering Only] easily by operating the lever. Grease Pack System is applied for lubrication. The shank of attaching tools for #HR5000 is in common with Bosch Spline Shaft type, and #HR5000K is in common with Kungo hexagonal shaft type respectively.



► Specifications

Voltage (V)	Current (A)	Cycle(Hz)	Continuous rating		Max. Output(W)
			Input(W)	Output(W)	
100	14.0	50/60	1320	730	1400
115	11.0	50/60	1200	600	1400
200	6.3	50/60	1200	600	1400
220	5.7	50/60	1200	600	1400
230	5.4	50/60	1200	600	1400
240	5.2	50/60	1200	600	1400

No load speed (R.P.M.)		260/min	
Blows per minute (/min.)		2100/min	
Max. capacity (mm)	T.C.T. bit	50mm	
	Core bit	for concrete	150mm
		for Hume concrete pipe	255mm
Net weight (kg)	HR5000	9.6kg	
	HR5000K	9.7kg	
Power supply cord (m)		5m	

► Standard equipment

- Hex. spanner 4
- Hex. spanner 5
- Hex. spanner 6

► Optional accessories

Reffer to General catalogue

► Features and benefits

1. With the strong power motor, you can drill a big hole(Diameter:50mm) efficiently.
2. Owing to the light weight design, it is easy to operate both sideways and upward.(9.6kgs)
3. Additionally the Grip is the standard accessory besides D-handle, you can use suitable handle for each operation of chiseling and boring. (Cut/shave boring sideways,: D-shape side handle; Cut/shave ,boring downward; Grip). Also, D-shape handle can be changed the attachment angle by fly nut.
4. During operation of chiseling, the rotation of Cylinder liner is stopped and prevent transmission loss by fixing the change lever "Only Hammering".
5. We considered the counter plan for vibration by using Plate spring in Main handle and Rubber grip in Side handle.

The standard equipment for the tools shown may differ form country to country.

B. Chiseling (Cut and shave concrete floor with pressure strength 240kg/cm^2 , and compare its crushing weight)

<Crushing weight of concrete for three minutes>

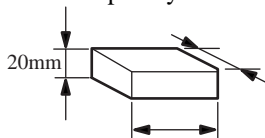
Model	5	10 (kg)
HR5000 (HR5000)		11
KANGO 950		10.5
HR3850 (HR3850K)		8
HM1201		11
HM1200(Hm1200K)		10.5
8050		11

Note) Since the depth of boring and crushing weight depend on the conditions such as Actual operator, operating method, concrete type, etc., the above values are only for reference.

REPAIR

1. Principal tools to be prepared

- (1) Vice fixed on the work table
- (2) Pipe wrench(60cm or more, the longer it may be, the easier for operation).
- (3) Backplate
 - a) Copper plate, 2pcs (Used when put Clunk Housing between Vices)
 - b) Iron plates, 2pcs of the dimensions in the illustration(Used when put Cylinderliner between vices)

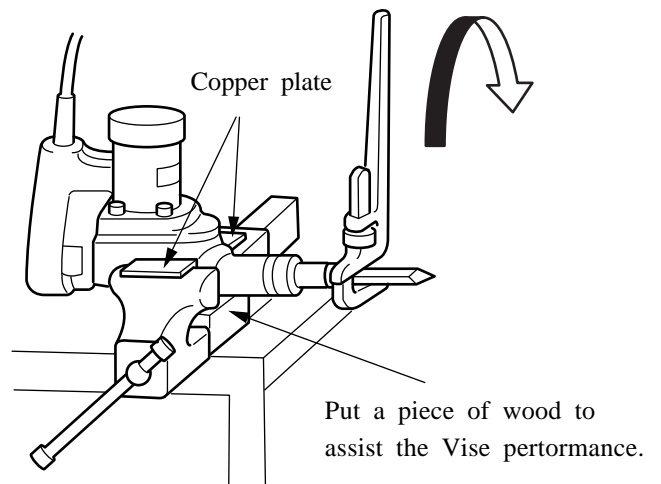


(4) Bullpoint

2. Disassembly

A) How to remove Tool Holder(left screw) and Barrel

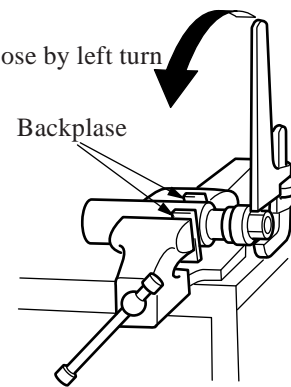
As you see the right illustration, put a backplate (copper plate) on the side of Clunk Housing (for protection of Clunk Housing), fix it by Vice, and put two Sides of Bullpoint inserted into Tool Holder by pipe wrench , then turn it to right



B) How to remove Cylinder liner(right screw) and Hexagonal nut

As you see the right illustration, put a backplate on two sides of Cylinder liner, fix it by Vice, hold two sides of Hexagonal nut by pipe wrench, and turn it to left.

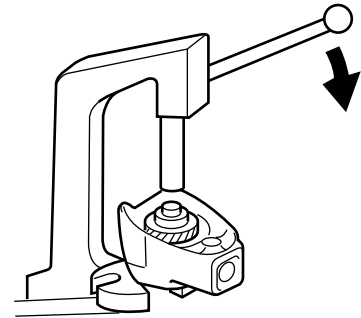
Becomes loose by left turn



Note 1) If the screws did not loosen in disassembling of A)and B), heat the screw part over the gas stove about five minutes to 200- 250 C. Then, it will be loose because the adhesive effect becomes weak.

C) How to remove Clunk Shaft

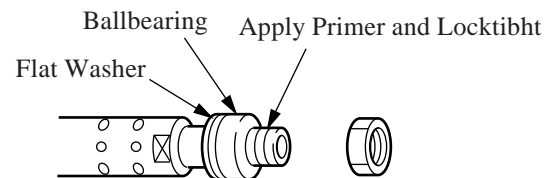
Make the Clunk Cap side of Clunk Housing downward, press the end face of Clunk Shaft by rbor Press, and it will come out.



3. Assembly

A) How to fasten Cylinder Liner and Hexagonal Nut

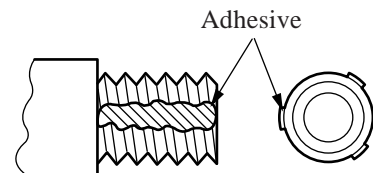
- 1) Remove grease from Screw part, and apply Primer T747 (Note2) .
- 2) Insert Flat Washer and Ballbearing
- 3) When the surface applied Primer gets dry(in about 3-5 minutes), apply Locktight 648 , three lines (Note 3)



- 4) Fasten Hexagonal Nut (Width between two faces:41mm)by 2000-2500kgf.cm(with 60-cm pipe wrench, approx. 33kgf. Strength)

Note2) Primer T747 is hardening promotion agent to shorten the time forhardening Locktight 648(adhesive).

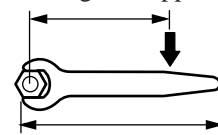
Note3) Three lines mean to apply the adhesive three times in the shaft direction.



B) How to fasten Tool Retainer and Hexagonal Nut

- 1) Remove grease in Screw part
- 2) Apply Locktight 648 two lines(times).
- 3) Fasten Hexagonal Nut (Width between two faces:13mm)with 250-300kgf.cm

At 10cm, strenght of approx. 25kg.f



JIS spanner 13

C) How to fasten Tool Holder and Barrel

- 1) Remove grease in Screw part
- 2) Apply Screw Lock Super1342 two times.
- 3) Fasten with 3000-3500kgf.cm. (Approx. 50kgf strenght by 60-cm pipe wrench)

D) In Oil Seal, Y Ring and O Ring, etc., apply grease on Lip parts and attach carefully so that it may not be damaged.

E) After assembling, enclose MAKITA GREASE R No.00, 75-80 g(the vakue when there is no grease in Housing) from Clunk Cap part.

4. The assembly and disassembly except the above are almost the same as those of #HR3850.