

# TECHNICAL INFORMATION

**Models No.** ▶ LS1020

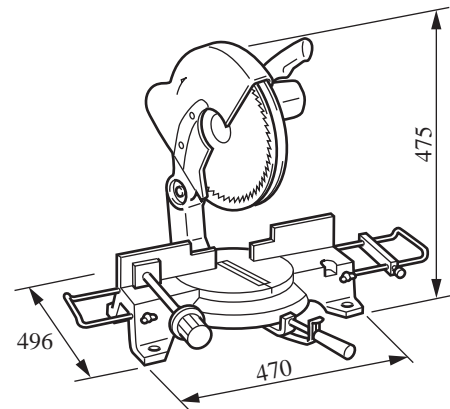
**Description** ▶ MAKITA 255mm(10") Miter saw

## CONCEPTION AND MAIN APPLICATIONS

Equipped a new safety cover mechanism.

When you lower (start operate) Handle, Safety cover starts opening automatically without touching the material, and opens to required angle, not damaging the material.

All specifications of the Machine are the same as those of L S1000, except the different open/close mechanism of Safety cover.



### Specifications

The main specifications are common with #LS1000.

Voltage (V)	Current (A)	Cycle (Hz)	Continuous Rating (W)		Max. Output(W)
			Input	Output	
100	12	50/60	1130	620	1000
115	11	50/60	1380	750	1800
200	7	50/60	1380	750	1800
220	6.5	50/60	1380	750	1800
230	6	50/60	1380	750	1800
240	6	50/60	1380	750	1800

<b>Motor</b>	Series commutator motor
<b>No load speed</b>	4100/min
<b>Diameter of saw hole</b>	ø25, ø25.4
<b>Diameter of saw blade available</b>	ø235 - ø260
<b>Max. cut capacity</b>	Right angle cut 70 x 122 mm
<b>(When outer dia. of Saw is 255mm)</b>	45 angle cut 70 x 90mm

### Standard equipment

Dust bag, Box wrench

### Optional accessories

Saw blade:

Double-purpose (Crosscut/Ripsaw) #260-1

For Miter saw #255-4

For Combination #260-7

For Chip saw #255-11A

For Crosscut #260-2

For Miter saw#255-4A

For Chip saw #255-11

Holder metal assembly

### Features and benefits

Safety cover opens and closes automatically linking with up-and-down movement of Handle, by the linkage mechanism. Therefore, there are the following advantages.

- 1) As Safety cover starts moving without touching the material, it does not damage the material.
- 2) The pressing power of Safety cover prevents cut chips from touching Saw blade and being rolled in.
- 3) In the top dead center of Handle( Handle is in the highest position), Safety cover will not open even against touching from side or from downward, covering all over the blade of Saw.

## ► Repair

When up-and-down movement of Handle becomes slow, you need to remove Pan head screw M6, and get rid of dusts stuck to the inside of Ring 8, Pan head screw, and Flat washer.

Then apply lubricator to them and assemble them again.

At that time, if you fasten screws too tightly, Safety cover screws may be broken.

So, fasten them by the same strength as that in fastening ordinary M4 screws.  
(by strength; 10-15 kg/cm).

