

Fixed Injector

Quick Connect

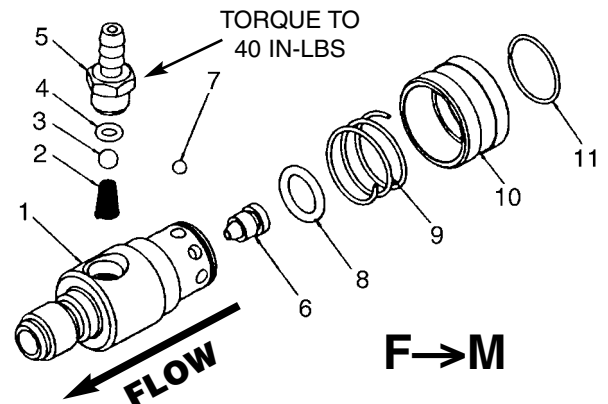
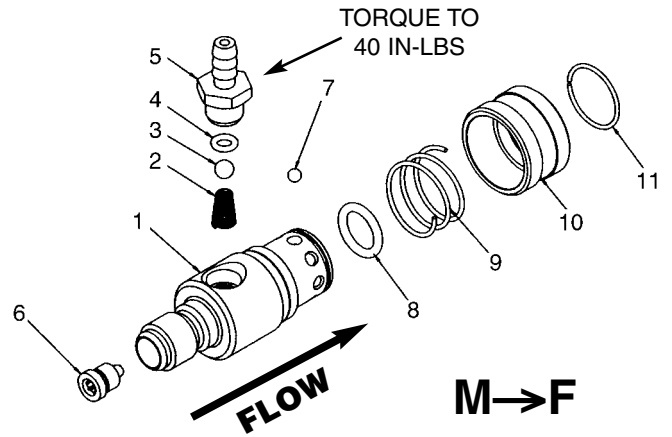
SPECIFICATIONS



Part Number	100594	100570	100595	100571	100616	100572
Nozzle Diameter	.070"		.083"		.091"	
Maximum Volume	2-3 GPM		3-5 GPM		5-8 GPM	
Maximum Pressure	3500 PSI					
Flow Direction	F→M	M→F	F→M	M→F	F→M	M→F
Maximum Temperature	190° F					
Inlet Port – 3/8"	Coupler	Plug	Coupler	Plug	Coupler	Plug
Outlet Port – 3/8"	Plug	Coupler	Plug	Coupler	Plug	Coupler
Hose Barb Size	5/16"					
Dimensions	2.625"L x 1.125"W x 2.5"H					
Weight	0.38 lb.					
Materials	Brass, Stainless Steel, Viton					

PARTS LIST

Item	Part Num.	Description	Kit	Qty
1.	510258	Housing, Injector, 3/8" QD, MF, Brass (100570)		1
	510247	Housing, Injector, 3/8" QD, MF, Brass (100571, 100572)		
	510265	Housing, Injector, 3/8" QD, FM, Brass (100594)		
	510266	Housing, Injector, 3/8" QD, FM, Brass (100595, 100616)		
2.	720040	Spring, Conical, .437" FL, 316SS	*	1
3.	520008	Ball, Injector, 316SS	*	1
4.	701008	O-Ring, 70 Duro, Viton, .176" ID x .070" CS	*	1
5.	510248	Hose Barb, QD Injector, Brass		1
6.	520116**	Nozzle, QD Injector, .070" Ø, 303SS (100570, 100594)		1
	520115**	Nozzle, QD Injector, .083" Ø, 303SS (100571, 100595)		
	520127**	Nozzle, QD Injector, .091" Ø, 303SS (100572, 100616)		
7.	520117	Ball, 5/32", 440C		8
8.	701049	O-Ring, 70 Duro, Viton, .487" ID x .103 CS	*	1
9.	720041	Spring, .920" OD, .62" FL, 302SS		1
10.	510249	Collar, 3/8" QD, Brass		1
11.	202031	Retaining Ring, .74" ID, .048" CS, 302 SS		1
*	100592	Repair Kit		
**		Additional Available Parts		





SPECIFICATIONS

Part Number	100617	100575	100618	100576	100619	100577
Nozzle Diameter	.070"		.083"		.091"	
Maximum Volume	2-3 GPM		3-5 GPM		5-8 GPM	
Maximum Pressure	3500 PSI					
Flow Direction	F→M	M→F	F→M	M→F	F→M	M→F
Maximum Temperature	190° F					
Inlet Port – 3/8"	Coupler	Plug	Coupler	Plug	Coupler	Plug
Outlet Port – 3/8"	Plug	Coupler	Plug	Coupler	Plug	Coupler
Hose Barb Size	5/16"					
Dimensions	2.625"L x 1.125"W x 2.5"H					
Weight	0.38 lb.					
Materials	Brass, Stainless Steel, Viton					

PARTS LIST

Item	Part Num.	Description	Kit	Qty
1.	510258	Housing, Injector, 3/8" QD, MF, Brass (100575)		1
	510247	Housing, Injector, 3/8" QD, MF, Brass (100576, 100577)		
	510265	Housing, Injector, 3/8" QD, FM, Brass (100617)		
	510266	Housing, Injector, 3/8" QD, FM, Brass (100618, 100619)		
2.	720040	Spring, Conical, .437" FL, 316SS	*	1
3.	520008	Ball, Injector, 316SS	*	1
4.	701008	O-Ring, 70 Duro, Viton, .176" ID x .070" CS	*	1
5.	510262	Post, Adjustable Hose Barb, Brass		1
6.	520116**	Nozzle, QD Injector, .070" Ø, 303SS (100575, 100617)		1
	520115**	Nozzle, QD Injector, .083" Ø, 303SS (100576, 100618)		
	520127**	Nozzle, QD Injector, .091" Ø, 303SS (100577, 100619)		
7.	520117	Ball, 5/32", 440C		8
8.	701049	O-Ring, 70 Duro, Viton, .487" ID x .103 CS	*	1
9.	720041	Spring, .920" OD, .62" FL, 302SS		1
10.	510249	Collar, 3/8" QD, Brass		1
11.	202031	Retaining Ring, .74" ID, .048" CS, 302SS		1
12.	701501	O-Ring, 70 Duro, Viton, .208" ID x .070" CS	*	1
13.	510263	Knob, Adjustable Hose Barb, Brass		1
14.	201002	Set Screw		1
	*	100593	Repair Kit	
	**	Additional Available Parts		

