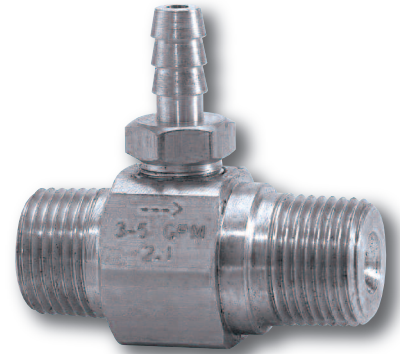


Hi-Draw Injector

Hi-Draw Downstream Injector - Stainless Steel

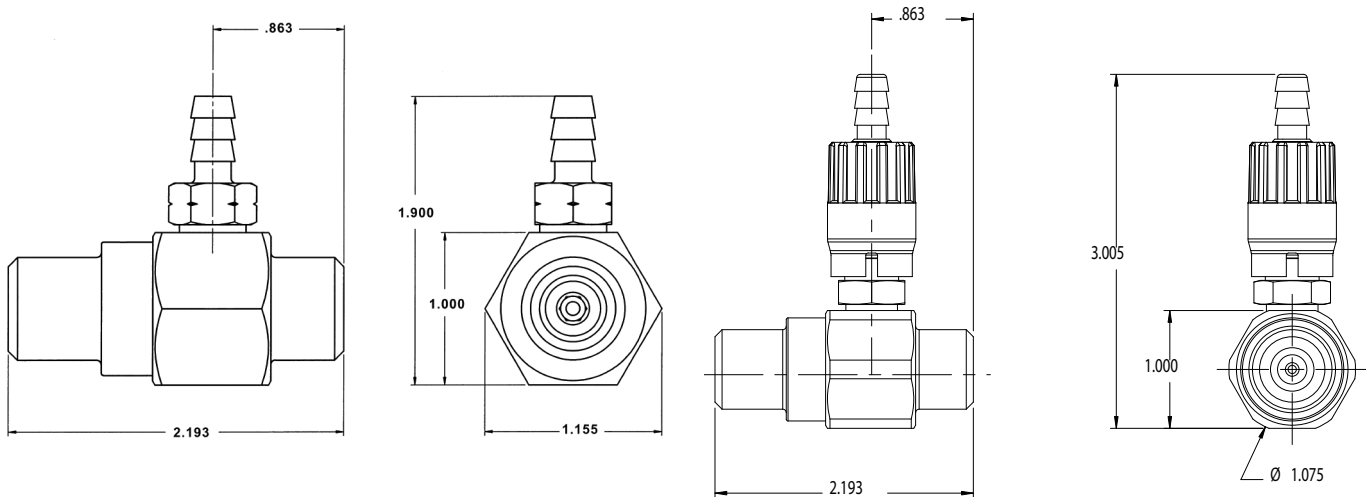
FEATURES

- Up to a 20% injection draw rate
- Available with both fixed and adjustable barbs
- Made in the USA
- A cost effective solution to your chemical application needs



SPECIFICATIONS

MODEL	100873	100874	100875	100861	100862	100863
Style	Fixed			Adjustable		
Operating Pressure	5500 PSI					
Flow Range	2-3 GPM	3-5 GPM	5-8 GPM	2-3 GPM	3-5 GPM	5-8 GPM
Port Sizes	Inlet: 3/8" NPT-M Discharge: 3/8" NPT-M Chemical Port: 1/4" Hose Barb					
Max. Temperature	190°					
Dimensions	2.2" x 1.15" x 1.9"			2.2" x 1.07" x 3.0"		
Weight	.2 lb.					
Materials	Stainless Steel, Viton					



General Pump
is a member of
the Interpump Group

Ref 300536 Rev.B
07-13



Hi-Draw Injectors

GENERAL PUMP *A member of the Interpump Group*

INSTALLATION

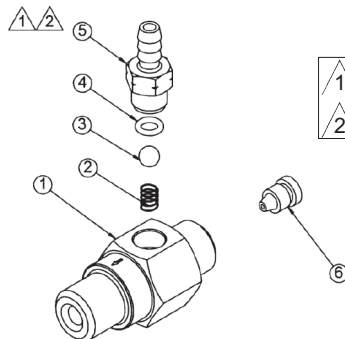
This product is to be used with clean, fresh water. For different or corrosive liquids, contact GP Technical Service Department. With not clean liquids, appropriate filtration should be installed. Select the injector based on the nominal operating rating: system rated pressure, max flow and max temperature. Install valve with direction arrow pointing downstream. For proper operation a control device such as a dual lance wand, quick couple nozzles, or an adjustable nozzle holder must be used to lower the system pressure at the nozzle. Under no circumstances should the pressure of the system exceed the maximum rated pressure of any component.

TROUBLESHOOTING

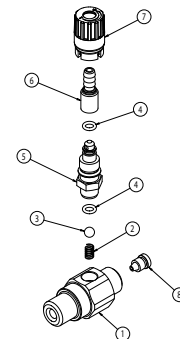
PROBLEM	CAUSE	SOLUTION
Injector will not draw liquid	Incorrect nozzle System is not in low pressure mode Discharge hose is too long Chemical line is clogged	Check and change nozzle Change or adjust nozzle to put system in low pressure mode Reduce length of discharge hose or change injector* Clear chemical line of obstruction
Rate of draw seems too slow	Discharge hose is too long Air leak in chemical line Chemical is too viscous	Reduce length of discharge hose or change injector* Locate and repair leak Reduce chemical with water to decrease its viscosity
Chemical injector is leaking from hose barb	Obstruction in hose barb checkvalve Damaged o-ring in checkvalve	Disassemble and remove obstruction Remove and replace o-ring
Excessive pressure load on pump, motor or engine	Clogged injector Improperly sized injector orifice	Clear injector orifice of obstruction Change orifice*

*Contact GP Technical Service for Assistance

PARTS LIST



1 Apply Loc-tite® 242 to threads for re-assembly
2 Torque to 40 in/lbs for re-assembly



Item	Part Number	Description	QTY.
KIT *	100803	Repair Kit	1
KIT †	100804	Acid Kit (Optional)	1
1	520180	Housing, Injector, SS	1
2*†	720049	Spring	1
3*	520167	Ball, Injector, 316 SS	1
†	640065	Ball, Injector, Ceramic (Optional)	1
4*†	701501	O-ring, 70 Duro, Viton, .208x.070	1
5	520181	Hose Barb, SS	1
6	520116	Nozzle, .070, 303 SS (100873)	1
	520066	Nozzle, .083, 303 SS (100874)	1
	520065	Nozzle, .086, 303 SS (100875)	1

Item	Part Number	Description	QTY.
KIT *	100803	Repair Kit	1
KIT †	100804	Acid Kit (Optional)	1
1	520180	Housing, Injector, SS	1
2*†	720049	Spring	1
3*	520167	Ball, Injector, 316 SS	1
†	640065	Ball, Injector, Ceramic (Optional)	1
4*†	701501	O-ring, 70 Duro, Viton, .208x.070	1
5	520181	Hose Barb, SS	1
6	520116	Nozzle, .070, 303 SS (100873)	1
	520066	Nozzle, .083, 303 SS (100874)	1
	520065	Nozzle, .086, 303 SS (100875)	1

GENERAL PUMP 1174 Northland Drive • Mendota Heights, MN 55120
Phone: 651.686.2199 • Fax: 800.535.1745 • e-mail: sales@gpcompanies.com • www.generalpump.com

Ref 300536 Rev.B
07-13

