

**SPECIFICATIONS**

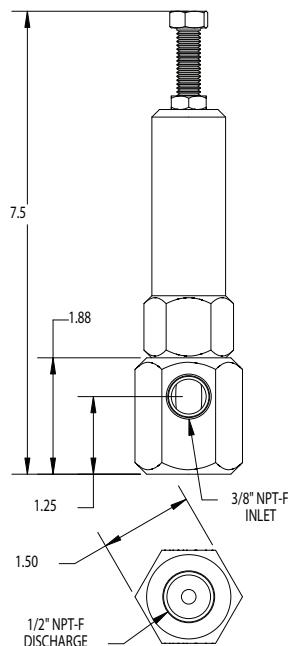
Part Number:	100998 & 100999	
Operating Pressure Range:	(100998) 250-1000 PSI	(100999) 900-2000 PSI
Maximum Pressure:	2000 PSI	
Maximum Flow:	13.0 GPM	
Temperature:	190° F	
Port Sizes:	Inlet	3/8" NPT-F
	Outlet	1/2" NPT-F
Dimensions:	7.5" (nom) x 1.86"	
Weight:	2.0 lbs.	
Material:	Stainless Steel, Viton, PTFE	

FEATURES

- **Accuracy** - Maintains pressure to within 5% of setting - even with multiple guns!
- **Dual Function** - Regulates pressure and absorbs pulsation in the system
- **Simplicity** - The dual function often eliminates the need for an accumulator
- **High Operating Temperature** - to 190° F

APPLICATIONS

- Full and self-service wash
- Power washing
- Multiple drop, multiple gun installations
- Most applications where discharge volume is fixed

DIMENSIONS

Note: Proper operation requires 10% of system flow be bypassed through the QR2013.

Example: 5 GPM system should bypass .5 GPM.

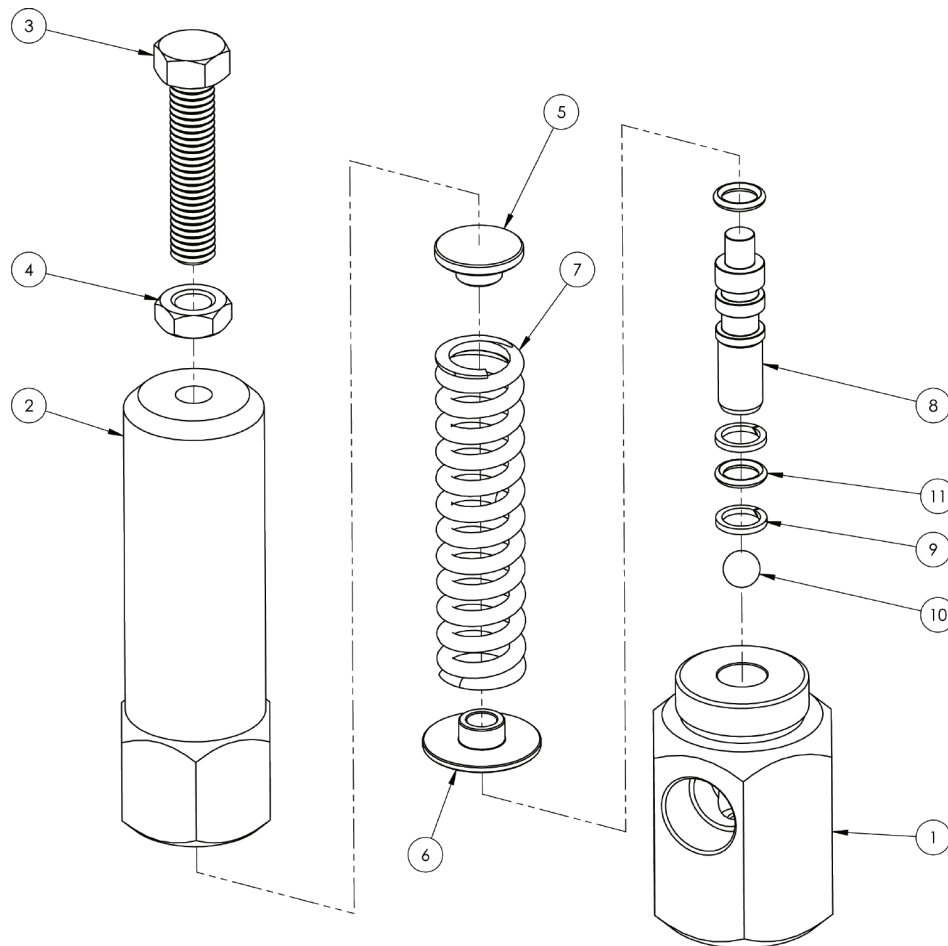
Ref 300939 Rev B
08-14



General Pump
is a member of
the Interpump Group



PARTS LIST



Pos.	Part No.	Description	QTY.
1	520365	BODY, 1/2NPTX3/8NPT	1
2	520369	SPRING CAP, QR2013	1
3	201057	HHCS, 3/8"-16	1
4	201058	HEX NUT, 3/8-16, 316SS	1
5	520368	SPRING PLATE, UPPER QR2013	1
6	520367	SPRING PLATE, LOWER	1
7	720067	SPRING (100998)	1
	720068	SPRING (100999)	
8	520366	PISTON	1
9	660242	BACKUP RING	2
10	640016	BALL	1
11	701011V70	O-RING	2
	101017	REPAIR KIT	