

SAFETY PRECAUTIONS

1. Make sure incoming pressure does not exceed the rated pressure.
2. Use proper eye protection when assembling and using the hose reel.
3. Assemble the hose reel on a clean workbench free of debris and moisture.
4. Use soap and water when checking for air leaks.
5. Keep children away from work area.

WARNING!

Exposure of skin directly to pressurized air or fluids could result in severe bodily injury!

Ref 300889 Rev. B
07-13

General Pump
1174 Northland Drive • Mendota Heights, MN 55120
Phone: 651.686.2199 • Fax: 800.535.1745
www.generalpump.com • email: sales@gpcompanies.com



- **DIRECT HAND-CRANK REWIND WITH LOCKING MECHANISM**
- **SOLID STEEL CONSTRUCTION**
- **DURABLE POWDERCOAT FINISH (REEL)**
- **NICKEL-PLATED BASE**
- **100' CAPACITY FOR 3/8" HOSE**
- **125' CAPACITY FOR 1/4" HOSE**
- **5,000 PSI**
- **1/4" NPT-F INLET**
- **3/8" NPT-F OUTLET**

INDUSTRIAL HOSE REEL

FROM GENERAL PUMP

2100357 HOSE REEL

OPERATOR'S MANUAL

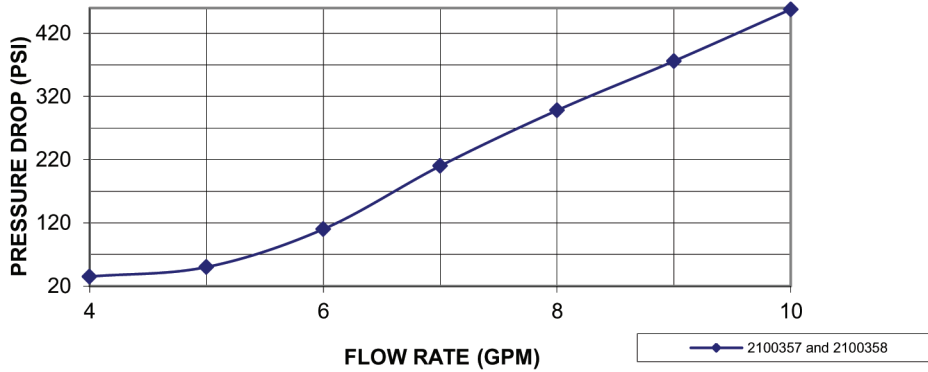
Ref 300889 Rev. B
07-13



General Pump
is a member of
The Interpump Group

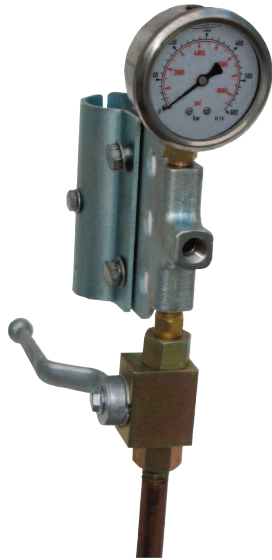


PRESSURE DROP: HOSE REEL & KIT, 2100357 & 2100358



**NOTE: 2100358 is an optional hardware kit. See below for details.

OPTIONAL BALL VALVE & GAUGE KIT 2100358

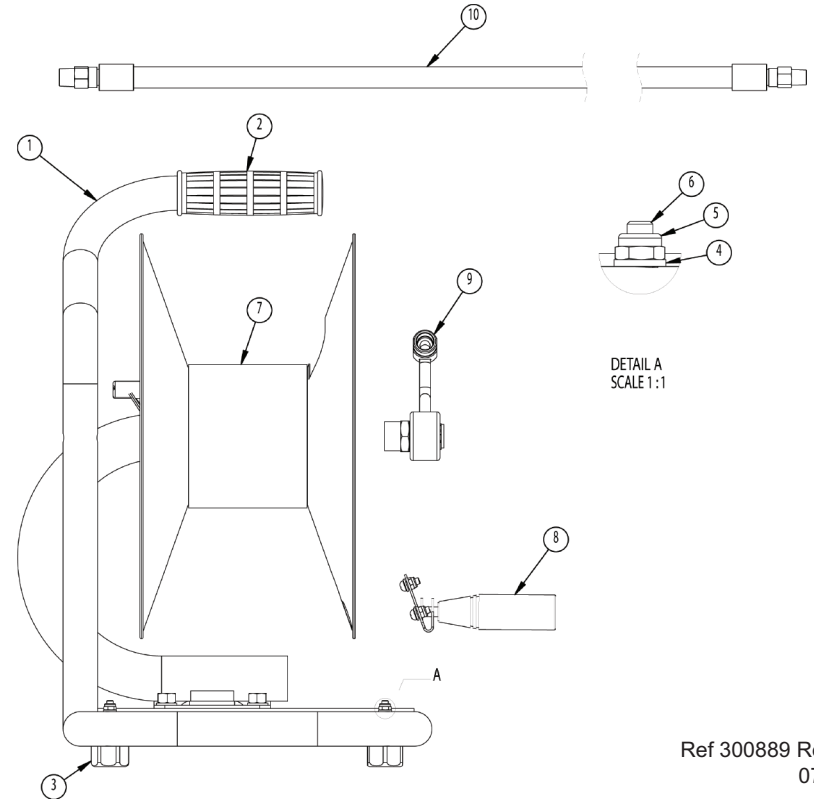


- Glycerin Filled Gauge
- Full Flow Ball Valve
- 5000 PSI
- 1/4" NPT-F Inlet
- 1/4" NPT-F Outlet

Ref 300889 Rev. B
07-13

ASSEMBLY INSTRUCTIONS

1. Clamp the hardware kit to the hose reel handle with the two M8 bolts. Secure it from rotating or slipping with the M6 bolt.
2. Use thread sealant (not provided) and the supplied fittings/adapters as needed to connect an inlet hose (not provided) to the hardware kit inlet.
3. Use thread sealant on the hose reel pigtail and connect to the hardware kit outlet.
4. The hardware kit may be used to turn flow on or off to the hose reel and to monitor pressure and flow in the hose reel.
5. Two different length U-bolts are supplied with the hardware kit for attaching the hose reel as needed to a truck or cart.



Ref 300889 Rev.B
07-13

2100357 HOSE REEL PARTS LIST

| Item # | Part # | Description | QTY |
|--------|---------|-------------------|-----|
| 1 | 2103112 | ASSY, BASE | 1 |
| 2 | 2660216 | HANDLE | 1 |
| 3 | 2702052 | FOOT | 4 |
| 4 | 2200018 | WASHER, M6 | 8 |
| 5 | 2200026 | NUT, NYLOK, M6 | 4 |
| 6 | 2200091 | BOLT, HHCS, M6 | 4 |
| 7 | 2103111 | REEL, HOSE | 1 |
| 8 | 100056 | HANDLE, ASSY | 1 |
| 9 | 2103051 | SWIVEL, HOSE REEL | 1 |
| 10 | 2103110 | ASSEMBLY, HOSE | 1 |