

FEATURES

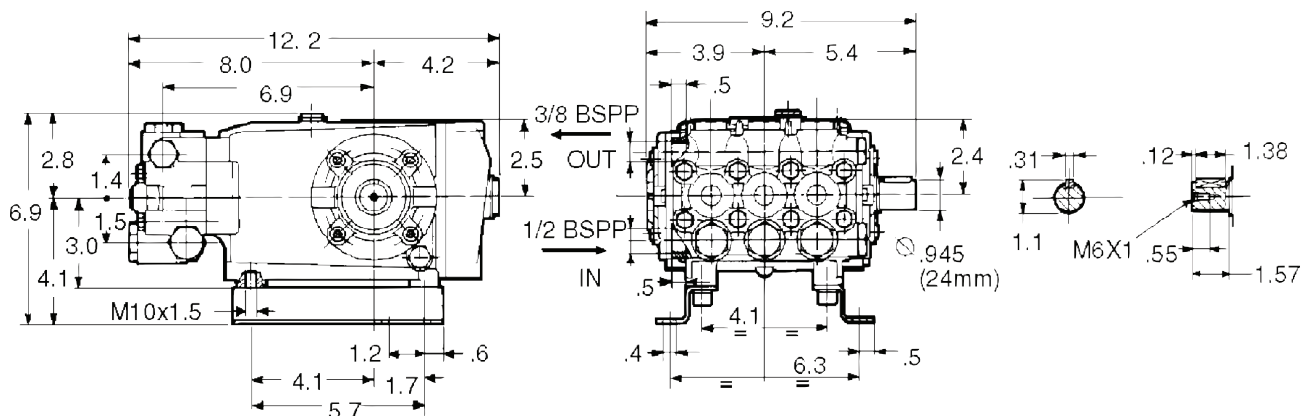
- The preferred pump frame in the pressure cleaning industry
- Forged brass manifold with an exclusive lifetime warranty
- Large-capacity, die-cast, anodized aluminum oil-bath crankcase
- Over-sized connecting rods for maximum life
- Heavy-duty tapered roller bearing
- Solid ceramic plungers with continuously lubricated packings
- Unitized stainless steel inlet and discharge valves
- Available in left-handed "L" version



SPECIFICATIONS

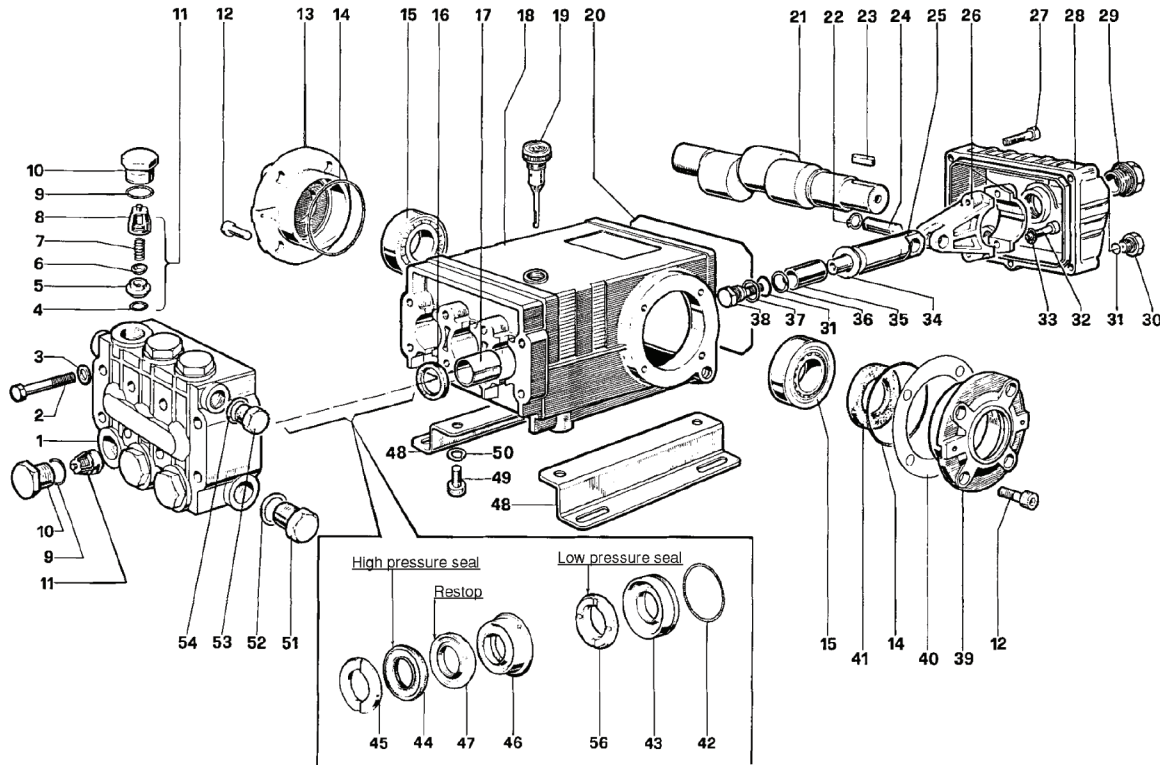
| | |
|----------------------------|--------------------------|
| Pump Model | CW3040 |
| Maximum Volume | 5.0 GPM |
| Maximum Discharge Pressure | 3000 PSI |
| Maximum Pump Speed | 1250 RPM |
| Maximum Inlet Pressure | 125 PSI |
| Maximum Inlet Vacuum | 9 ft. water (7.9 in. Hg) |
| Plunger Bore | .787 in. / 20 mm |
| Plunger Stroke | .630 in. / 16 mm |
| Crankcase Oil Capacity | 40.6 oz. |
| Maximum Fluid Temperature | 165° F |
| Inlet Port Thread | 1/2-14 BSP-F |
| Discharge Port Thread | 3/8-19 BSP-F |
| Shaft Diameter | .945 in. / 24 mm |
| Weight | 32 lbs. |
| Dimensions | 12.2" x 9.2" x 7.2" |

DIMENSIONAL DRAWING



TRIPLEX

TRIPLEX



PARTS LIST

| ITEM | PART NO. | DESCRIPTION | KIT NO. | QTY. | ITEM | PART NO. | DESCRIPTION | KIT NO. | QTY. | ITEM | PART NO. | DESCRIPTION | KIT NO. | QTY. |
|------|-----------|-------------------------------------|---------|------|------|----------|-------------------|---------|------|----------|--------------------------|------------------------|----------|------|
| 1. | *47121741 | Manifold Fine Thread (after 8/2012) | | 1 | 19. | 98210600 | Oil Dip Stick | | 1 | 39. | 47150022 | Cover, Crankcase | | 3 |
| | 47120841 | Manifold, Coarse Thread | | 1 | 20. | 47211984 | Cover, Gasket | | 1 | 40. | 97567800 | Shim | | 2 |
| 2. | 99320600 | Screw, M8 x 70 | | 8 | 21. | 47021735 | Crankshaft | | 1 | 41. | 90164800 | Seal, Oil | 3 | 1 |
| 3. | 96702000 | Washer, M8.4 | | 8 | 22. | 90055700 | Ring, Snap | | 6 | 42. | 90361600 | O-ring, 1.364x.070 | 10,28 | 3 |
| 4. | 701115 | O-ring, .674 x .10 | 1 | 8 | 23. | 91489000 | Key | | 1 | 43. | 47080970 | Retainer, Packing | 10,28 | 3 |
| 5. | 36200366 | Seat, Valve | 1 | 6 | 24. | 97738000 | Pin, Wrist | | 3 | 44. | 90270500 | Packing | 28,69 | 3 |
| 6. | 36200176 | Plate, Valve | 1 | 6 | 25. | 47050454 | Guide, Plunger | | 3 | 45. | 47100051 | Ring, Head, M20 | 7,28 | 3 |
| 7. | 94737600 | Spring | 1 | 6 | 26. | 47030001 | Connecting Rod | | 3 | 46. | 47216970 | Intermed. Ring | 28,71 | 3 |
| 8. | 36200251 | Guide, Valve | 1 | 6 | 27. | 99183700 | Screw, M6x30 | | 5 | 47. | 90270400 | Restop Ring | 28,69,71 | 3 |
| 9. | 701002 | O-ring, .797x.103 | 4,5 | 6 | 28. | 47160422 | Cover, Crankcase | | 1 | 48. | 47200074 | Pump Feet | | 2 |
| 10. | *98222800 | Cap, Fine Thread (after 8/2012) | 4 | 6 | 29. | 97596800 | Oil Indicator | | 1 | 49. | 99364400 | Screw, M10 x 18 | | 4 |
| | 98222000 | Cap, Coarse Thread | | 6 | 30. | 98204100 | Cap | | 1 | 50. | 96710600 | Washer, M10.2 | | 4 |
| 11. | 36703201 | Valve Assembly | 1 | 6 | 31. | 701013 | O-ring, .426x.070 | 6 | 4 | 51. | 98217600 | Cap | | 1 |
| 12. | 99303900 | Screw, M8 x 16 | | 8 | 32. | 99309900 | Screw, M8 x 35 | | 6 | 52. | 96751400 | Washer, M21.5 | | 1 |
| 13. | 47150122 | Cover, Crankcase Side | | 1 | 33. | 96701400 | Washer, M8.4 | | 6 | 53. | 98210000 | Cap | | 1 |
| 14. | 701147 | O-ring, 2.675x.103 | | 2 | 34. | 96728600 | Washer, M14 | 6 | 3 | 54. | 96738000 | Washer, M17.5 | | 1 |
| 15. | 640047 | Bearing, Roller | | 2 | 35. | 47040409 | Plunger, 20 mm | | 3 | 56. | 90271000 | Seal, Low Press, 20 mm | 28,69 | 3 |
| 16. | 90162500 | Seal, Oil | 2 | 3 | 36. | 660067 | Ring, Back-up | 6 | 3 | | | | | |
| 17. | 90912600 | Bushing | | 3 | 37. | 96728000 | Washer | 6 | 3 | | | | | |
| 18. | 47010422 | Crankcase | | 1 | 38. | 47219566 | Screw, Plunger | 6 | 3 | | | | | |
| | | | | | | | | | | Optional | | | | |
| | | | | | | | | | | 190160 | Rail & Coupler Kit (310) | | 1 | |
| | | | | | | | | | | 190161 | Rail & Coupler Kit (530) | | 1 | |

REPAIR KITS

TORQUE SPECS*

| KIT NO. | K01 | K02 | K03 | K04 | K06 | K07 | K71 | K969 | K9101A | K910A | Pos. | Ft/lb | N-M |
|--------------------------------------|-----|-----|-----|-------|-------------------|-----|--------|---------------|----------------------------------|---------------|------|-------|-----|
| ITEM NO's INCLUDED IN KIT | 11 | 16 | 41 | 9, 10 | 31,34,36 37,38 | 45 | 46, 47 | 44, 47, 56 | 42, 43, 44, 45, 46, 47, 56 | 42, 43, 56 | 2 | 22.1 | 30 |
| NUMBER OF ASSEMBLIES IN KIT | 6 | 3 | 2 | 6 | 3 | 6 | 3 | 3 | 1 | 3 | 10 | 95.9 | 130 |
| NUMBER OF CYLINDERS KIT WILL SERVICE | 3 | 3 | - | 3 | 3 | 3 | 3 | 3 | 1 | 3 | 12 | 14.7 | 20 |
| | | | | | | | | | | | 27 | 7.3 | 10 |
| | | | | | | | | | | | 29 | 8.8 | 12 |
| | | | | | | | | | | | 30 | 14.7 | 20 |
| | | | | | | | | | | | 32 | 14.7 | 20 |
| | | | | | | | | | | | 38 | 14.7 | 20 |
| | | | | | | | | | | | 49 | 29.4 | 40 |
| | | | | | | | | | | | 51 | 29.4 | 40 |

* Decrease torque by 20% if threads are lubricated

Ref 300323 Rev. L
07-14

