

DG4000S

Rear Inlet Spray Gun, Straight



SPECIFICATIONS

Part Number:	DG4000S	
Maximum Volume:	10.5 GPM	
Maximum Pressure:	4000 PSI	
Maximum Temperature:	250° F	
Port Sizes:	Inlet	3/8" NPT-F
	Outlet	1/4" NPT-F
Dimensions:	9.5" x 4.25" x 1.25"	
Weight:	1.4 lbs.	
Material:	Brass, Stainless Steel, Plastic	
REPAIR KIT	2100001	

FEATURES

- Economic design with brass inlet and outlet
- All flow passages designed for minimum pressure drop - maximum flow
- Large comfortable hand grip to accommodate work gloves
- Additional venting for excellent high temperature performance
- Durable glass-filled housing
- Trigger made from 30% glass filled Nylon 6.6

Ref 300948 Rev A
04-14



General Pump
is a member of
the Interpump Group

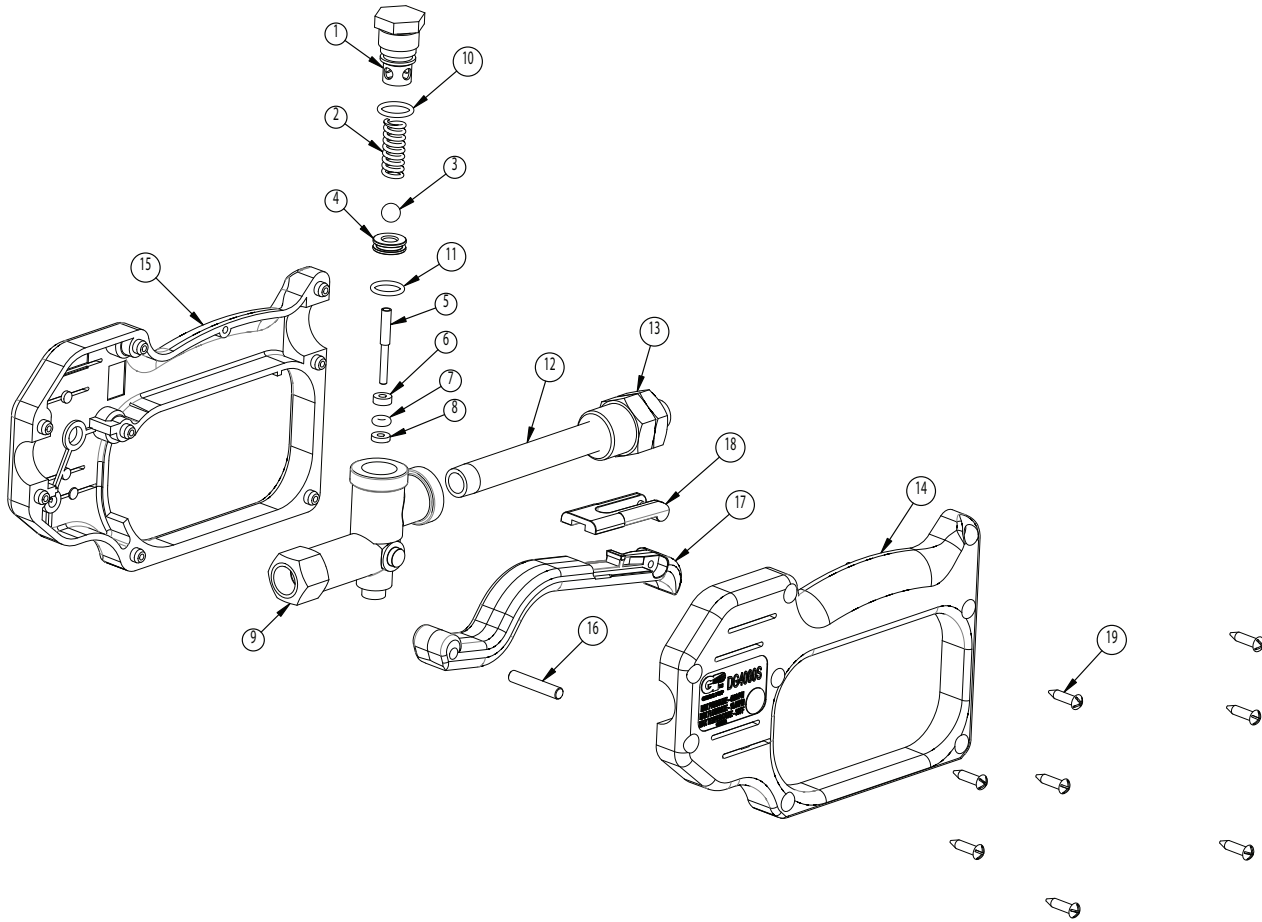


DG4000S

Rear Inlet Spray Gun, Straight

GENERAL PUMP *A member of the Interpump Group*

PARTS LIST



Item	Part No.	Description	Qty.	Item	Part No.	Description	Qty.
1	2510005	PLUG, GUN	1	12	2520001	TUBE, INLET, GUN	1
2*	2720001	SPRING	1	13	2510003	FITTING, INLET, GUN	1
3*	2520004	BALL	1	14	2660150	HOUSING, GUN, LEFT	1
4*	2520003	SEAT, GUN	1	15	2660149	GUN, HOUSING, RIGHT	1
5*	2520002	PIN, GUN	1	16	2512002	PIN, TRIGGER	1
6*	2510004	WASHER, BRASS	1	17	2660004	TRIGGER, GUN	1
7*	2700002	O-RING	1	18	2660005	STOP, TRIGGER, GUN	1
8*	2660007	WASHER, TEFLON	1	19	2200002	SCREW	8
9	2452001	FORGING, GUN	1				
10*	2700004	O-RING, BUNA, 70 DURO	1				
11*	2700003	O-RING	1				
				*	2100001	Repair Kit - DG4000S	

Ref 300948 Rev A
04-14

GENERAL PUMP • 1174 Northland Drive • Mendota Heights, MN 55120
Phone: 651.686.2199 • Fax: 800.535.1745 • email: sales@gpcompanies.com • www.generalpump.com

