



**FEATURES**

- 3-way flow-through design
- Regulates the operating pressure of the system by releasing excess volume through the by-pass
- Limits pressure in the system to the adjusted level
- Protects the system from over pressurization
- Suitable for controlling several units at the same time

**SPECIFICATIONS**

MODEL	MAXIMUM GPM	MAXIMUM PSI	PUMP
RV14/800	26.4	11600	VS, SH
RV14/1500	26.4	21750	VS, SH
RV14/1200VH	7.9	17400	VF
RV14/1500A	7.9	21750	VF

Port Sizes:	Inlet (RV14/500, RV14/1500) Inlet (RV14/1200VF, RV14/1500A) By-pass	Flanged/Block/SH, VS Flanged/Block/VF 1/2" G-F Special
-------------	---	--

Weight	22.0 lbs.
--------	-----------

Materials:	Upper Valve Body Lower Valve Body Valve Seat	OT58 Brass AISI 420 SS AISI 420 SS
------------	--	--

**WARRANTY**

General Pump accessories are warranted by the manufacturer to be free from defects in material and workmanship. Period of warranty shall be 90 days from the date product is received by the original buyer. Liability of manufacturer under the foregoing warranty is limited to **repair** or **replacement** at the option of manufacturer of that product which according to the manufacturer's investigation was deemed defective at time of shipment. Damage resulting from neglect, abuse, tampering or misapplication voids this warranty. This warranty is in lieu of all other warranties, expressed or implied, including any warranty of merchantability and/or any and all other obligations or liabilities on the part of the manufacturer.

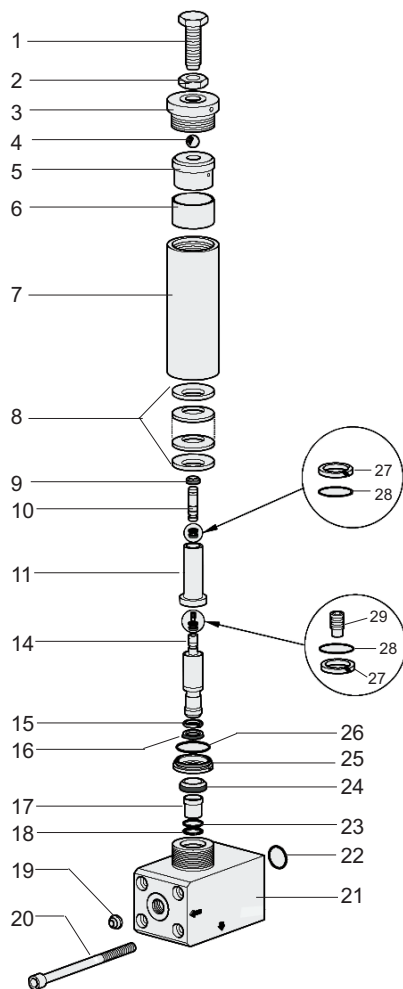
# RV14

## Regulating Valve

### GENERAL PUMP

A member of the Interpump Group

### PARTS LIST

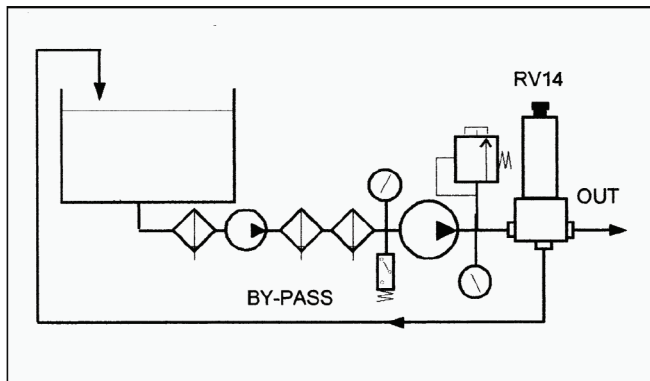


Item	Part Number	Description	Qty
1	F003000100	Screw, Pressure Adjusting	1
2	F872005107	Nut, M20x1.5	1
3	F033300070	Ring Nut	1
4	F811902018	Ball, Ø 11/16"	1
5	F030200090	Spring Spacer	1
6	F042300000	Bushing Stop, 11600 PSI	1
	F042300010	Bushing Stop, 17400 PSI	1
	F042300020	Bushing Stop, 21750 PSI	1
7	F062300230	Valve Sleeve	1
8	F872110475	Spring, Disc	16
9	F881064102	Spacer	1
10	F085200070	Stem	1
11	F021200200	Spring Guide	1
14	F185200010	Piston	1
15	F010500180	Anti-extrusion Ring	1
16	F881030008	Seat	1
17	F081200770	Valve Seat, 11600 PSI	1
	F081200780	Valve Seat, 17400 PSI	1
	F081200720	Valve Seat, 21750 PSI	1
18	F010500220	Seal	1
19	F083200210	Conical Seal	1
20	F871131320	Screw, M12 x 130, Special, SH, VS	4
	F871123517	Screw, M10 x 110, Special, VF	4
21	F060200260	Valve Body, SH, VS	1
	F060200300	Valve Body, VF	1
22	F881010200	O-ring, Ø 18.64 x 3.53, SH, VS	1
	F881010209	O-ring, Ø 12.29 x 3.53, VF	1
23	F881010112	O-ring, Ø 21.89 x 2.62	1
24	F881063181	Shuttle	1
25	F031200460	Spacer	1
26	F881010121	O-ring, Ø 44.12 x 2.62	1
27	F010500210	Anti-extrusion Ring	2
28	F881011058	O-ring, Ø 8 x 2 Special	2
29	F091200020	Nozzle	1
30	F881110102	Washer	1
31	F084200680	Nipple, 11600 PSI	1
	F084200320	Nipple, 17400-21750 PSI	1

Model #	Kit #	Item #s Included	# Of Pieces
RV14/800 RV14/1500	F1253	9, 15, 16, 18, 22, 23, 24, 26, 27, 28	1
RV14/1200VH/ RV14/1500A	F1254	9, 15, 16, 18, 22, 23, 24, 26, 27, 28	1

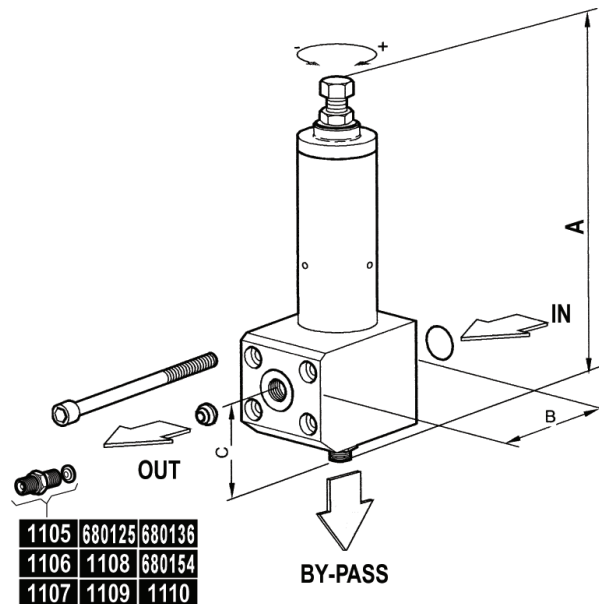
### INSTALLATION

The RV14 valve should be mounted in line both in horizontal or vertical position, whichever allows easier access to the pressure adjusting screw. The by-pass line should be free from any kind of restriction which may generate back pressures at the valve, have an internal diameter of 25 mm, at least, in any point and never be connected to the pump suction line - see scheme below for correct installation.



#### CONNECTION KITS

KIT1105	G1/2" HP-G1/4"	KIT1108	G1/2" HP-M20x1.5	680125	G1/2" HP-LF9
KIT1106	G1/2" GP-G3/8"	KIT1109	G1/2" HP-M22x1.5	680136	G1/2"-1/2NPT-M
KIT1107	G1/2" HP -M14x1.5	KIT1110	G1/2" HP-M24x1.5	680154	G1/2"-1/2" NPT-F



Ref 300724 Rev. A  
11-09

**GENERAL PUMP** 1174 Northland Drive • Mendota Heights, MN 55120  
Phone: 651.686.2199 • Fax: 800.535.1745 • e-mail: sales@gpcompanies.com • www.generalpump.com

