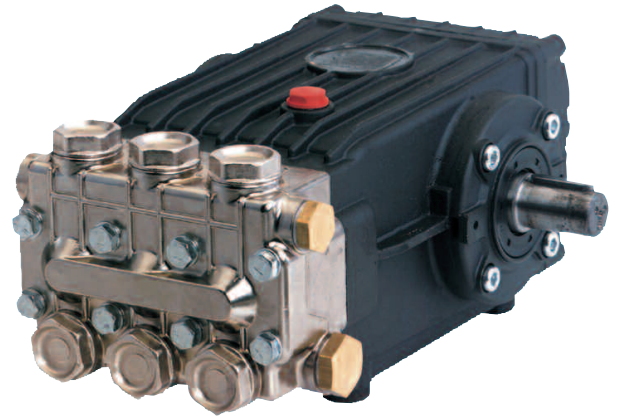


FEATURES

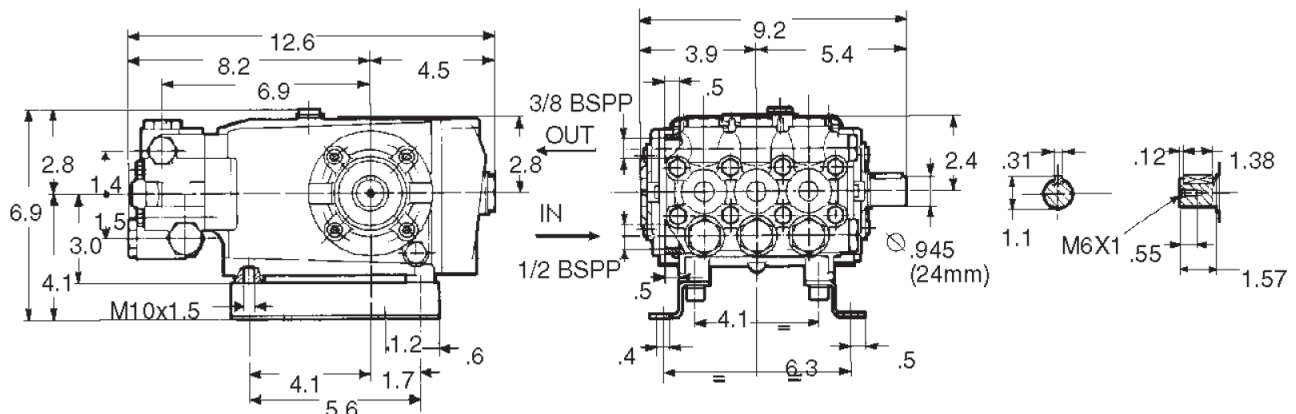
- The preferred pump frame in the pressure cleaning industry
- Forged brass manifold with an exclusive lifetime warranty
- Large-capacity, die-cast, anodized aluminum oil-bath crankcase
- Over-sized connecting rods for maximum life
- Heavy-duty tapered roller bearing
- Solid ceramic plungers with continuously lubricated packings
- Unitized stainless steel inlet and discharge valves
- Available in left-handed "L" version



SPECIFICATIONS

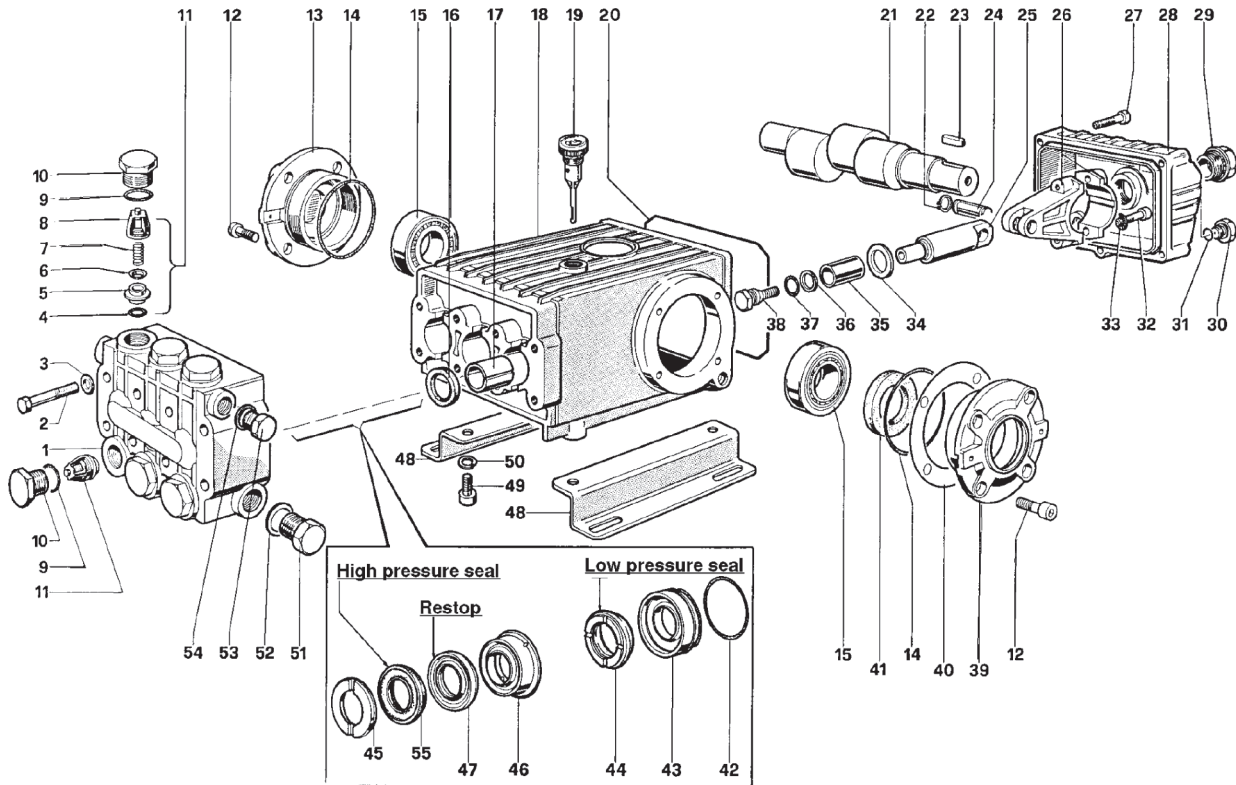
Pump Model	T9281
Maximum Volume	4.0 GPM
Maximum Discharge Pressure	4000 PSI
Maximum Pump Speed	1750 RPM
Maximum Inlet Pressure	125 PSI
Maximum Inlet Vacuum	9 ft. water (7.9 in. Hg)
Plunger Bore	.630 in. / 16 mm
Plunger Stroke	.630 in. / 16 mm
Crankcase Oil Capacity	40.6 oz.
Maximum Fluid Temperature	165° F
Inlet Port Thread	1/2-14 BSPP-F
Discharge Port Thread	3/8-19 BSPP-F
Shaft Diameter	.945 in. / 24 mm
Weight	33 lbs.
Dimensions	12.6" x 9.2" x 6.9"

DIMENSIONAL DRAWING



T Series 47S-16mm x 16 mm

GENERAL PUMP *A member of the Interpump Group*



PARTS LIST

ITEM	PART NO.	DESCRIPTION	KIT NO.	QTY.	ITEM	PART NO.	DESCRIPTION	KIT NO.	QTY.	ITEM	PART NO.	DESCRIPTION	KIT NO.	QTY.
1.	47121441	Manifold		1	19.	98210600	Oil Dip Stick		1	38.	47219666	Screw, Plunger	107	3
2.	99320600	Screw, M8 x 70		8	20.	90392200	O-ring, Cover		1	39.	47150022	Cover, Crankcase		1
3.	96702000	Washer, M8.4		8	21.	47021735	Crankshaft, USA		1	40.	97567800	Shim		2
4.	701115	O-ring, .674 x .10	1	6	22.	90055700	Ring, Snap		6	41.	90164800	Seal, Oil	3	1
5.	36200366	Seat, Valve	1	6	23.	91489000	Key		1	42.	90361600	O-ring, 1.364x.070	111,112	3
6.	36200176	Plate, Valve	1	6	24.	97738000	Pin, Wrist		3	43.	47080870	Retainer, Packing	111, 112	3
7.	94737600	Spring	1	6	25.	47050654	Guide, Plunger		3	44.	90264400	Seal, LP, 16mm	109, 112	3
8.	36200251	Guide, Valve	1	6	26.	47030001	Connecting Rod		3	45.	47100351	Ring, Head	108,112	3
9.	701002	O-ring, .797x.103	106	6	27.	99191200	Screw, M6x30		5	46.	47217270	Intermed. Ring	110,112	3
10.	98222400	Cap	106	6	28.	47160122	Cover, Crankcase		1	47.	90264300	Restop Ring	109,112	3
11.	36703201	Valve Assembly	1	6	29.	97596800	Oil Indicator		1	48.	47200074	Pump Feet		2
12.	99303900	Screw, M8 x 16		8	30.	98204100	Cap		1	49.	99364400	Screw, M10 x 18		4
13.	47150122	Cover, Crankcase		1	31.	701013	O-ring, .426x.070		1	50.	96710600	Washer, M10.2		4
14.	701147	O-ring, 2.675x.103		2	32.	99309900	Screw, M8 x 35		6	51.	98217600	Cap		1
15.	640047	Bearing, Roller		2	33.	96701400	Washer, M8.4		6	52.	96751400	Washer, M21.5		1
16.	90162500	Seal, Oil	2	3	34.	47211747	Ring		3	53.	98210000	Cap		1
17.	90912600	Bushing		3	35.	47040856	Plunger, 16 mm		3	54.	96738000	Washer, M17.5		1
18.	47010222	Crankcase		1	36.	90503300	Anti-ext, Ring	107	3	56.	90264200	Packing	109,112	3
					37.	90357700	O-ring	107	3					

REPAIR KITS

KIT NO.	1	2	3	106	107	108	109	110	111	112
ITEM NO's INCLUDED IN KIT	4,5,6 7,8 (11)	16	41	9, 10	36, 37, 38	45	44, 47, 55	463	42, 43	42, 43, 44, 45, 46, 47, 55
NUMBER OF ASSEMBLIES IN KIT	6	3	2	6	6	3	6	3	1	1
NUMBER OF CYLINDERS KIT WILL SERVICE	3	3	-	3	3	3	3	3	3	1

TORQUE SPECS*

Pos.	Ft/lb	N-M
2	22.1	30
10	95.9	130
12	14.7	20
27	7.3	10
29	8.8	12
30	14.7	20
32	14.7	20
38	14.7	20
49	29.4	40
51	29.4	40
53	29.4	40

* Decrease torque by 20% if threads are lubricated

Ref 300214 Rev. G
07-14

GENERAL PUMP 1174 Northland Drive • Mendota Heights, MN 55120
Phone: 651.686.2199 • Fax: 800.535.1745 • e-mail: sales@gpcompanies.com • www.generalpump.com

