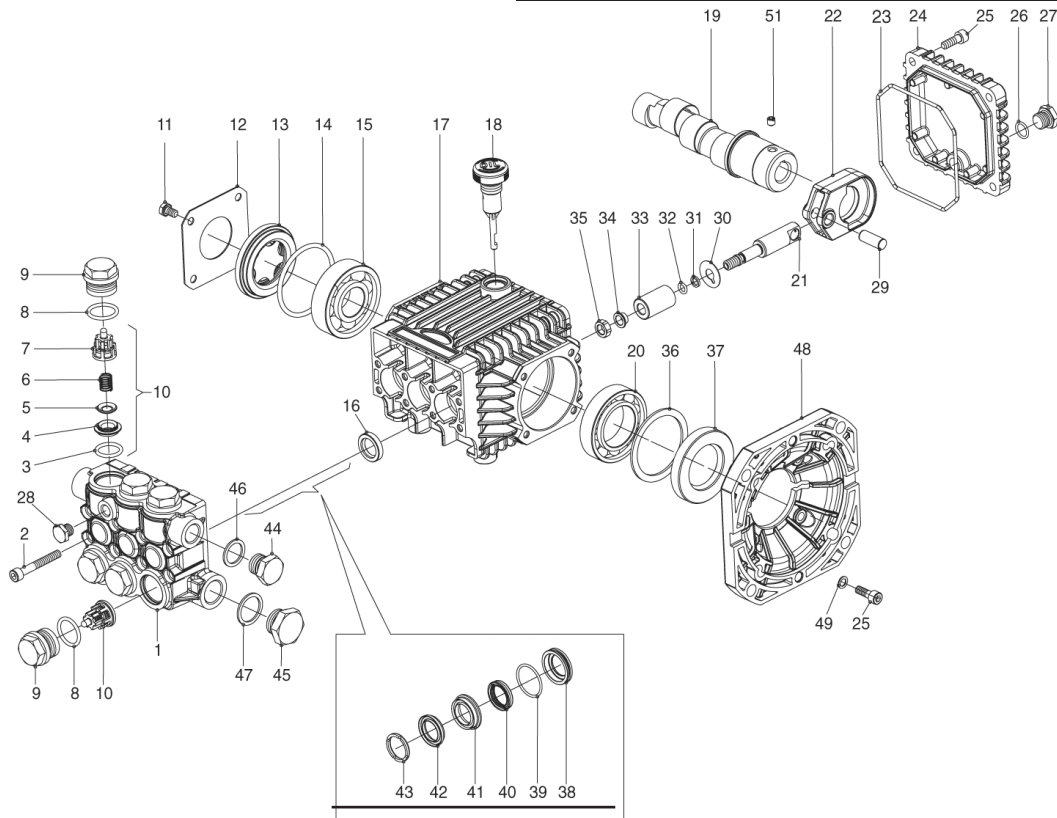


TC Series "60"

GENERAL PUMP *A member of the Interpump Group*



PARTS LIST

ITEM	PART NO.	DESCRIPTION	KIT NO.	QTY.	ITEM	PART NO.	DESCRIPTION	KIT NO.	QTY.	ITEM	PART NO.	DESCRIPTION	KIT NO.	QTY.
1.	60120041	Manifold, 15 mm		1	19.	60028065	Crankshaft, TC1502E175,TC18029E175		1	36.	60210189	Spacer		1
	60120141	Manifold, 18 mm		1	20.	91846400	Bearing		1	37.	90167500	Oil Seal		1
2.	99195000	Screw, M6 x 45		8	21.	60050066	Plunger Guide		3	38.	60080070	Packing Retainer,15mm 200,226	3	3
3.	90384100	O-ring	123	6	22.	60030022	Connecting Rod		3		60080170	Packing Retainer,18mm 225,227	3	3
4.	36200366	Valve Seat	123	6	23.	90391800	O-ring, Cover		1	39.	90360400	O-ring	200,225,226,227	3
5.	36200176	Valve	123	6	24.	60160022	Rear Crankcase Cover		1	40.	90260800	Seal, LP, 15mm 196,226	3	3
6.	94737600	Spring	123	6	25.	99186700	Screw, M6 x 18		8		90265000	Seal, LP, 18mm 197,227	3	3
7.	36202551	Valve Cage	123	6	26.	90358500	O-ring		1	41.	60216070	Intermediate Ring, 15 198,226	3	3
8.	90384700	O-ring		6	27.	98204100	Plug, 1/4" G		1		60216170	Intermediate Ring, 18 199,227	3	3
9.	98221400	Valve Cap		6	28.	98196600	Plug, 1/8" G		1	42.	90262000	Seal, HP, 15mm 196,226	3	3
10.	36711501	Valve Assembly	123	6	29.	97733300	Wrist Pin		3		90268100	Seal, HP, 18mm 197,227	3	3
11.	99180700	Screw, M6 x 10		4	30.	96707000	Washer		3	43.	51100051	Head Ring, 15mm 196,226	3	3
12.	50150074	Bearing Cover		1	31.	90502200	Anti-ext. Ring		3		51100151	Head Ring, 18mm 197,227	3	3
13.	44211801	Oil Level Indicator		1	32.	90357300	O-ring		3	44.	98210000	Plug, 3/8"	1	1
14.	90409700	O-ring		1	33.	60040009	Ceramic Plunger, 15mm		3	45.	98217600	Plug, 1/2"	1	1
15.	91832800	Ball Bearing		1		60040109	Ceramic Plunger, 18mm		3	46.	96738000	Gasket, Alum., 3/8"G	1	1
16.	90156500	Oil Seal	83	3	34.	44211570	Bushing		3	47.	96751400	Gasket, Alum., 1/2"G	1	1
17.	60010022	Crankcase		1	35.	92221600	Nut, M8		3	48.	10034422	Flange	1	1
18.	98210300	Oil Dip Stick		1						49.	96693800	Washer	4	4
19.	60023165	Crankshaft, TC1508E175		1						51.	99179000	Screw, M6	1	1
	60023465	Crankshaft, TC1509E175,TC1809E175		1										

REPAIR KITS

KIT NO.	K83	K123	K196 or K197 (15mm) (18mm)	K198 or K199 (15mm) (18mm)	K200 or K225 (15mm) (18mm)	K226 or K227 (15mm) (18mm)
ITEM NO's INCLUDED IN KIT	16	3, 4, 5, 6, 7 (10)	40, 42, 43	41	38, 39	38, 39, 40, 41, 42, 43
NUMBER OF ASSEMBLIES IN KIT	3	6	3	3	3	1
NUMBER OF CYLINDERS KIT WILL SERVICE	3	3	3	3	3	1

TORQUE SPECS*

Pos.	Ft/lb	Nm
2	8.8	12
9	59.0	80
11	7.4	10
25	7.4	10
27	14.7	20
28	9.6	13
35	11.1	15
44	29.5	40
45	29.5	40

* Decrease torque by 20% if threads are lubricated

GENERAL PUMP 1174 Northland Drive • Mendota Heights, MN 55120
Phone: (651)686-2199 • Fax: (800)535-1745 • e-mail: sales@gpcompanies.com • www.generalpump.com

Ref 300600 Rev. C
02/09

