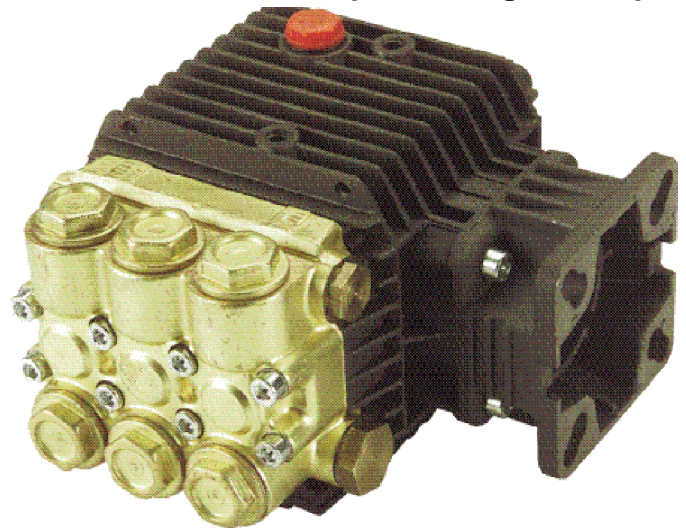


## FEATURES

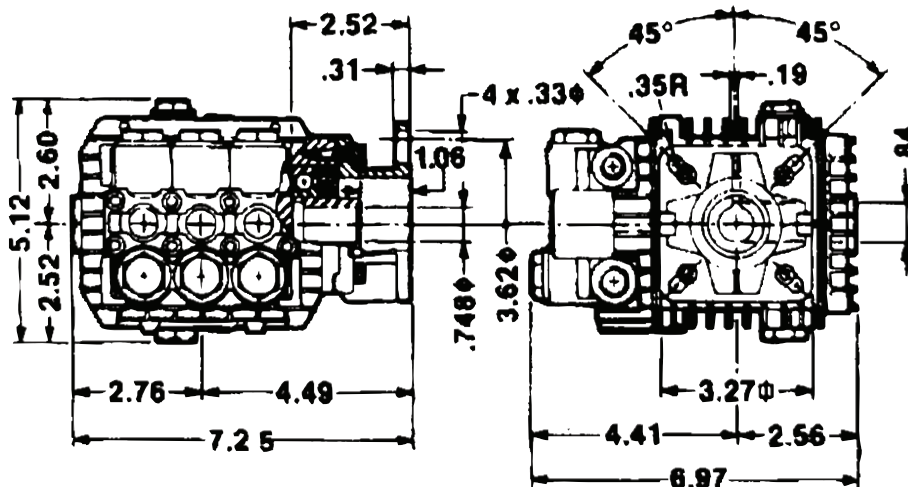
- Forged brass manifold with exclusive lifetime warranty
- Die-cast anodized aluminum, oil-bath crankcase
- Solid ceramic plungers with continuously lubricated packings
- The original Interpump unitized, stainless steel, K01 inlet and outlet valves
- Ideal for all general cleaning applications
- Comes standard with SAE J609 gasoline engine mounting flange
- Also available in "L" left-handed versions



## SPECIFICATIONS

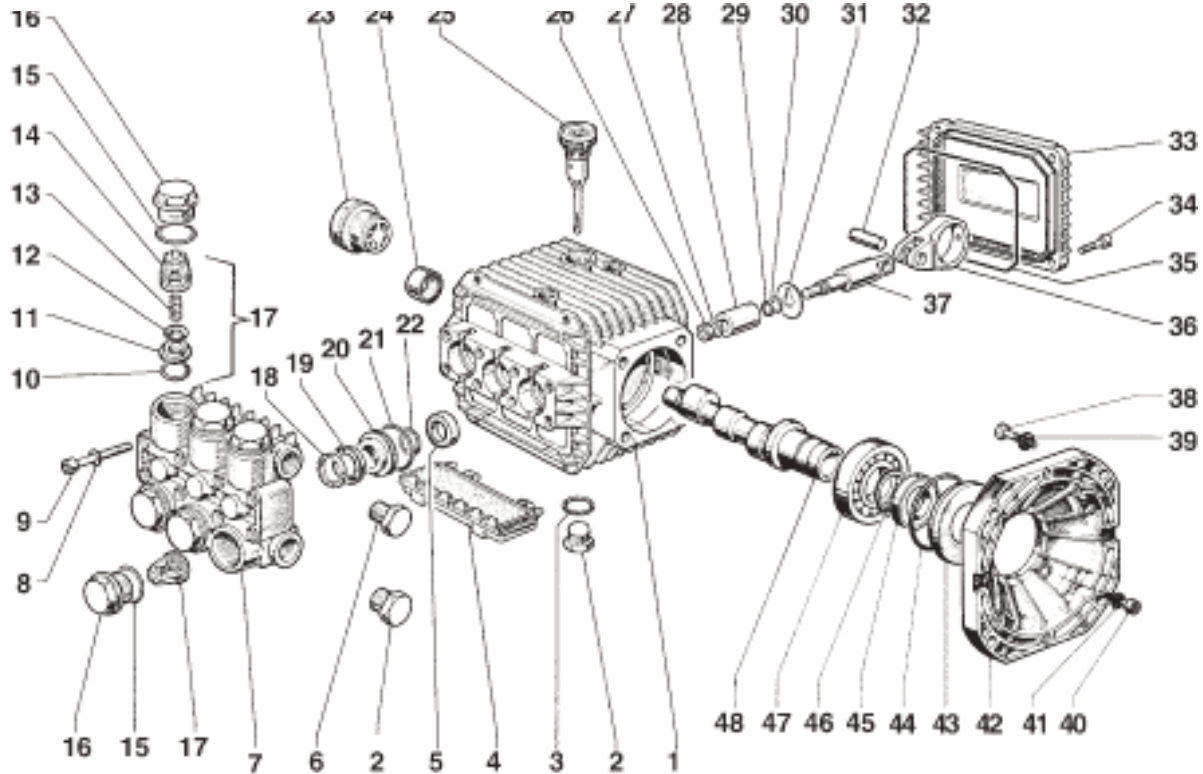
| Pump Model                 | TT9061GBF                | TT9071GBF       | TT1540GBF       | TT2028GBF       | TT2035GBF     |
|----------------------------|--------------------------|-----------------|-----------------|-----------------|---------------|
| Maximum Volume             | 2.11 GPM                 | 2.8 GPM         | 4.0 GPM         | 2.8 GPM         | 3.5 GPM       |
| Maximum Discharge Pressure | 1500 PSI                 |                 |                 | 2000 PSI        |               |
| Maximum Pump Speed         | 3400 RPM                 |                 |                 |                 |               |
| Maximum Inlet Pressure     | 125 PSI                  |                 |                 |                 |               |
| Maximum Inlet Vacuum       | 3 ft. Water (2.6 in. Hg) |                 |                 |                 |               |
| Bore                       | .591 in. / 15 mm         |                 |                 |                 |               |
| Stroke                     | .197 in./5mm             | .260 in./6.6 mm | .370 in./9.4 mm | .260 in./6.6 mm | .315 in./8 mm |
| Crankcase Oil Capacity     | 11.2 oz.                 |                 |                 |                 |               |
| Maximum Fluid Temperature  | 165° F                   |                 |                 |                 |               |
| Inlet Port Thread          | 3/8"-19 BSPP-F           |                 |                 |                 |               |
| Discharge Port Thread      | 1/4"-19 BSPP-F           |                 |                 |                 |               |
| Shaft Diameter             | 3/4 in. / 19 mm          |                 |                 |                 |               |
| Weight                     | 11.4 lbs.                |                 |                 |                 |               |
| Dimensions                 | 7.2" x 7.2" x 5.5"       |                 |                 |                 |               |

## DIMENSIONAL DRAWING



# TT Series 51, GBF

**GENERAL PUMP** *A member of the Interpump Group*



## PARTS LIST

| ITEM | PART NO. | DESCRIPTION           | KIT NO. | QTY. | ITEM | PART NO. | DESCRIPTION         | KIT NO.    | QTY. | ITEM | PART NO. | DESCRIPTION                 | KIT NO. | QTY. |
|------|----------|-----------------------|---------|------|------|----------|---------------------|------------|------|------|----------|-----------------------------|---------|------|
| 1.   | 51010622 | Crankcase             |         | 1    | 17.  | 36703201 | Valve Assembly      | 1          | 6    | 35.  | 90391700 | O-ring                      |         | 1    |
| 2.   | 98210000 | Plug, 3/8-BSP         |         | 2    | 18.  | 51100051 | Head Ring           | 96, 97     | 3    | 36.  | 51030022 | Connecting Rod              |         | 3    |
| 3.   | 90383300 | O-ring, .549 x .103   |         | 1    | 19.  | 90262000 | Packing             | 96, 97     | 3    | 37.  | 51050056 | Piston Guide                |         | 3    |
| 4.   | 51209102 | Protector             |         | 1    | 20.  | 51080070 | Packing Retainer    | 86, 96     | 3    | 38.  | 99273000 | Screw, 5/16                 |         | 4    |
| 5.   | 90156500 | Oil Seal              | 83      | 3    | 21.  | 90360400 | O-ring, .989 x .070 | 86, 96, 97 | 3    | 39.  | 96701400 | Washer, M8.4, Schnorr       |         | 4    |
| 6.   | 98204100 | Plug                  |         | 1    | 22.  | 90383500 | O-ring, .594 x .103 | 86, 96, 97 | 3    | 40.  | 99186700 | Screw, M8 x 18              |         | 4    |
| 7.   | 51120041 | Manifold, Brass       |         | 1    | 23.  | 97596800 | Sight Gauge         |            | 1    | 41.  | 96693800 | Washer, 6.4, Schnorr        |         | 4    |
| 8.   | 51120022 | Manifold, Aluminum    |         | 1    | 24.  | 91801500 | Needle Bearing      |            | 1    | 42.  | 10034622 | Flange                      |         | 1    |
| 9.   | 96693800 | Washer, M6.4, Schnorr |         | 12   | 25.  | 98210300 | Oil Dip Stick       |            | 1    | 43.  | 50211551 | Spacer                      |         | 1    |
| 10.  | 99194300 | Screw, M6 x 40        |         | 12   | 26.  | 92221600 | Nut, M8             |            | 3    | 44.  | 90409700 | O-ring, 2.187 x .139        |         | 1    |
| 11.  | 90384100 | O-ring, .674 x .103   |         | 1    | 27.  | 96700800 | Washer, M8          |            | 3    | 45.  | 90164400 | Oil Seal                    |         | 1    |
| 12.  | 36200366 | Valve Seat            |         | 1    | 28.  | 51040009 | Plunger, 15 mm      |            | 3    | 46.  | 90066700 | Snap Ring                   |         | 1    |
| 13.  | 36200176 | Valve Plate           |         | 1    | 29.  | 90357200 | O-ring, .208 x .070 |            | 3    | 47.  | 20283521 | Bearing                     |         | 1    |
| 14.  | 94737600 | Spring                |         | 1    | 30.  | 90502200 | Back-up Ring        |            | 3    | 48.  | 51021035 | Crankshaft (TT9061)         |         | 1    |
| 15.  | 36200251 | Valve Cage            |         | 1    | 31.  | 96707000 | Washer, Flinger     |            | 3    |      | 51021165 | Crankshaft (TT9071, TT2028) |         | 1    |
| 16.  | 90384700 | O-ring, .797 x .103   |         | 84   | 32.  | 97371000 | Connecting Rod Pin  |            | 3    |      | 51021965 | Crankshaft (TT1540)         |         | 1    |
|      | 98221800 | Valve Cap             |         | 84   | 33.  | 51160022 | Crankcase Cover     |            | 1    |      | 51021835 | Crankshaft (TT2035)         |         | 1    |
|      |          |                       |         |      | 34.  | 99186700 | Screw               |            | 4    |      |          |                             |         |      |

## REPAIR KITS

| KIT NO.                              | 1                        | 83 | 84     | 86         | 96                 | 97             |
|--------------------------------------|--------------------------|----|--------|------------|--------------------|----------------|
| ITEM NO's INCLUDED IN KIT            | 10, 11, 12, 6, 7, 8 (17) | 5  | 15, 16 | 20, 21, 22 | 18, 19, 20, 21, 22 | 18, 19, 21, 22 |
| NUMBER OF ASSEMBLIES IN KIT          | 6                        | 3  | 6      | 3          | 1                  | 3              |
| NUMBER OF CYLINDERS KIT WILL SERVICE | 3                        | 3  | 3      | 3          | 1                  | 3              |

## TORQUE SPECS\*

| Position | Ft. Lbs. |
|----------|----------|
| 2        | 29.4     |
| 6        | 14.7     |
| 9        | 8.8      |
| 16       | 33.1     |
| 23       | 13.2     |
| 26       | 11.0     |
| 34       | 7.3      |
| 38       | 22.1     |
| 40       | 7.3      |
| 49       | 14.7     |
| 52       | 7.3      |

\* Decrease torque by 20% if threads are lubricated

