

### FEATURES

- Heavy-duty, zero degree, rotating nozzle
- Ideal for blasting applications

### AVAILABLE SIZES

Part Number	Size	Nozzle Color	Repair Kit
Y3K035	3.5	brown	Y25173424
Y3K040	4.0	dark yellow	Y25173324
Y3K045	4.5	blue	Y25178424
Y3K050	5.0	light purple	Y25178524
Y3K055	5.5	dark red	Y25178624
Y3K065	6.5	light blue	Y25178724

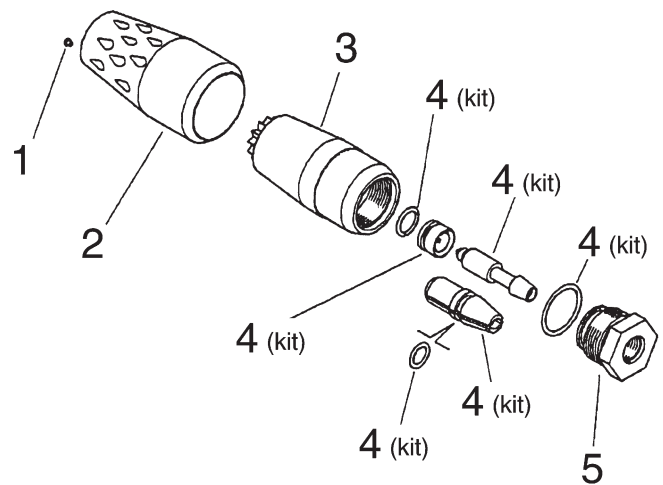


### SPECIFICATIONS

Part Number:	<i>see chart at left</i>
Maximum Volume	8.0 GPM
Maximum Pressure	3000 PSI
Maximum Temperature	194°F
Port Size	1/4" F
Dimensions	3.5" x 1.5"
Weight	.35 lb.
Materials	Brass, Rubber, Ceramic, Buna-N

### PARTS LIST

Item	Part Num.	Description	Qty
1.		Dot	1
2.	Y25172185	Nozzle Protector	1
3.	Y25172231	Body	1
4.	<i>(see table above)</i>	REPAIR KIT <i>(parts sold only as kit)</i>	
5.	Y25172731	Plug	1



### FEATURES

- Heavy-duty, zero degree, rotating nozzle
- Ideal for blasting applications



### AVAILABLE SIZES

Part Number	Size	Nozzle Color	Repair Kit
Y5K035	3.5	brown	Y25174624
Y5K040	4.0	dark yellow	Y25174824
Y5K045	4.5	blue	Y25179224
Y5K055	5.5	dark red	Y25179324
Y5K065	6.5	light blue	Y25179424
Y5K090	9.0	gold	Y25179524

### SPECIFICATIONS

Part Number:	<i>see chart at left</i>
Maximum Volume	10.0 GPM
Maximum Pressure	5000 PSI
Maximum Temperature	194°F
Port Size	1/4" F
Dimensions	4.5" x 2.25"
Weight	.35 lb.
Materials	Brass, Rubber, Ceramic, Buna-N

### PARTS LIST

Item	Part Num.	Description	Kit	Qty
1.		Dot		1
2.	Y25173685	Nozzle Protector		1
3.	Y25173731	Body		1
4.	<i>(see table above)</i>	REPAIR KIT <i>(parts sold only as kit)</i>		
5.	Y25174031	Plug		1

