

GENERAL PUMP *A member of the Interpump Group***Y7K****Rotating Nozzle****FEATURES**

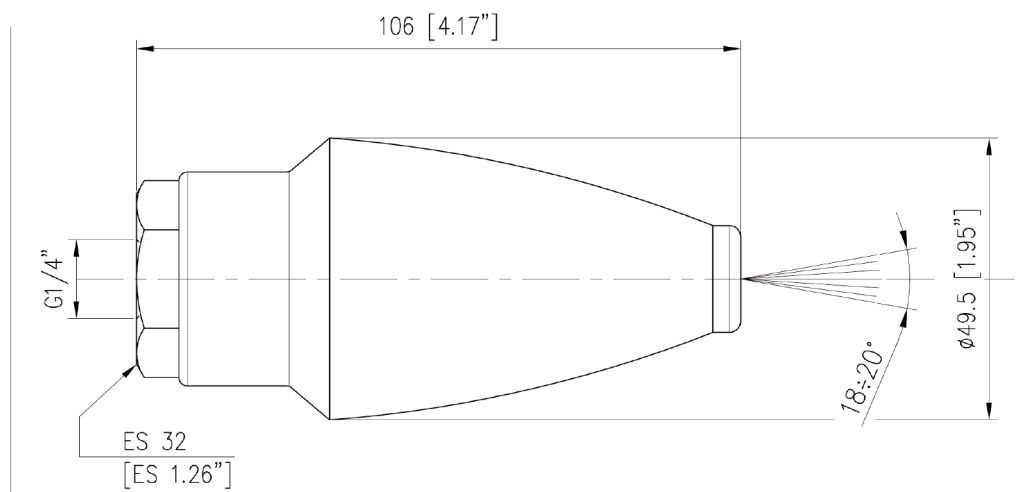
- Heavy-duty, zero degree, rotating nozzle
- Ideal for high pressure blasting applications
- Highly shock-resistant tungsten carbide nozzle/seat

**AVAILABLE SIZES**

Part Number	Size	Nozzle Color
Y7K040	4.0	Dark Yellow
Y7K045	4.5	Blue
Y7K050	5.0	Light Purple
Y7K055	5.5	Dark Red
Y7K060	6.0	Dark Green
Y7K065	6.5	Light Blue
Y7K070	7.0	Orange

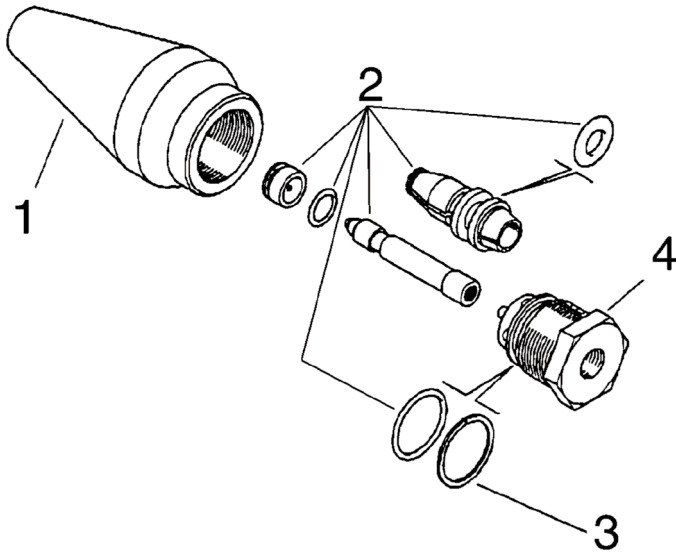
SPECIFICATIONS

Part Number*	See chart at left
Maximum Pressure	7,000 PSI
Maximum Temperature	194°F
Inlet Port	1/4" BSP-F
Dimensions	4.17" x 1.95"
Weight	1.5 lb.
Materials	Stainless Steel, Rubber Tungsten Carbide, Buna-N

DIMENSIONSRef 300095 Rev. C
06-14General Pump
is a member of
the Interpump Group

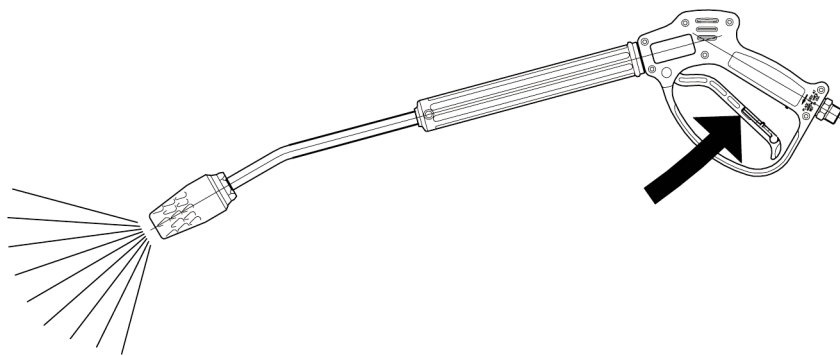
Y7K - Rotating Nozzle

PARTS LIST

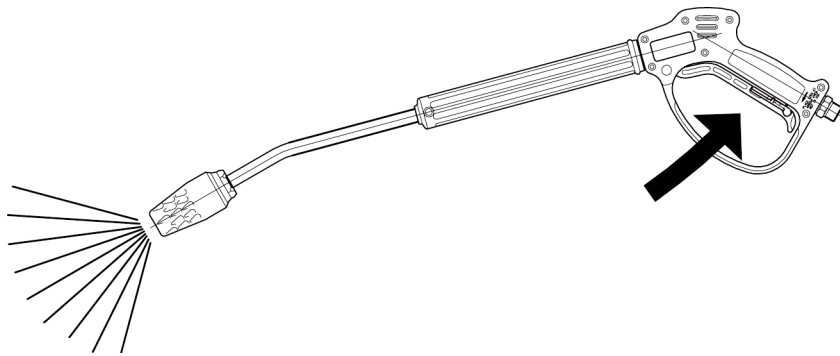


Item	Part Number	Description	QTY
1	Y25175151	Stainless Steel Body	1
2	Y25176324	Y7K040 Nozzle Kit	1
	Y25176424	Y7K045 Nozzle Kit	1
	Y25176524	Y7K050 Nozzle Kit	1
	Y25172664	Y7K055 Nozzle Kit	1
	Y25176724	Y7K060 Nozzle Kit	1
	Y25176824	Y7K065 Nozzle Kit	1
	Y25176924	Y7K070 Nozzle Kit	1
3	Y25175431	Ring	1
4	Y25175551	Y7K040 SS Plug	1
	Y25191051	Y7K045 SS Plug	1
	Y25191151	Y7K050 SS Plug	1
	Y25191251	Y7K055 SS Plug	1
	Y25191351	Y7K060 SS Plug	1
	Y25191451	Y7K065 SS Plug	1
	Y25191551	Y7K070 SS Plug	1

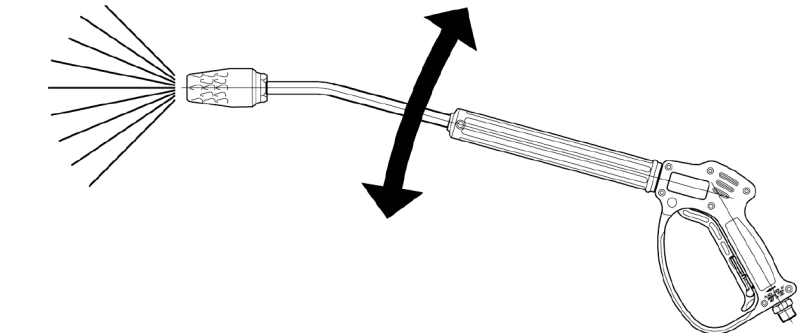
OPERATING INSTRUCTIONS



When using the Y7K nozzle for the first time, fill with water at very low pressure.



While opening the gun, ALWAYS point the Y7K nozzle DOWNWARDS.



When the spray gun is open, the nozzle can be pointed in any direction.