

YFL7SWITCH

3/8" Flow Switch

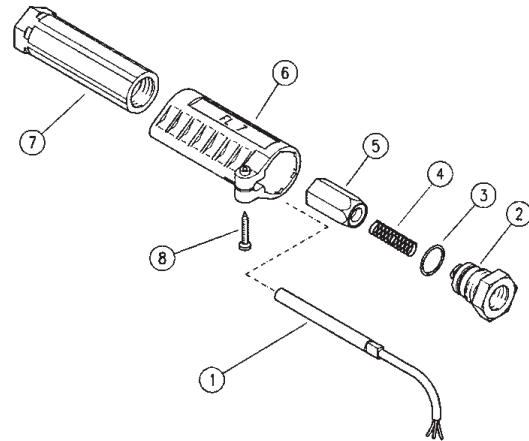


SPECIFICATIONS

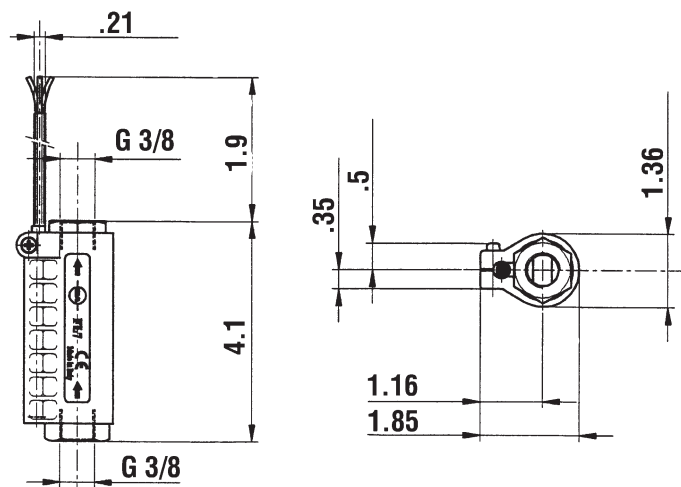
Operating Pressure	5100 PSI
Maximum Pressure	5650 PSI
Maximum Flow	8.0 GPM
Activation Flow Rate: Horizontal	1.5 GPM
Vertical	2.1 GPM
Temperature	180°F
Maximum Volts	250V
Maximum Amps	1 amp
Port Sizes: Inlet	3/8" M-NPT
Discharge	3/8" M-NPT
Dimensions	4.4" x 3.0"
Weight	0.86 lb.
Materials	Plastic, Brass, Buna-N, Stainless Steel

PARTS LIST

Item	Part Number	Description	Qty.
1.	Y28050623	Probe with 48" cord	1
2.	Y28040431	3/8 Bsp F plug	1
3.	Y10306600	O-ring 1.78 x 15.6 mm	1
4.	Y28040651	Spring	1
5.	Y28041023	Magnetic shuttle	1
6.	Y28040284	Cover	1
7.	Y28040131	3/8 Bsp F body	1
8.	Y16307700	3.5 x 18 mm screw	1



DIMENSIONAL DRAWING

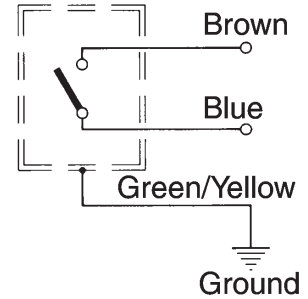


INSTALLATION

Install the valve away from heat or magnetic sources as they may effect its operation. Do not store or handle on full metal structures, do not test the magnetic strength of the piston or magnetizable material. This valve uses a permanent magnet. It is advisable to flush the system before installing and operating the unit the first time, so that any possible residual metal scraps in the piping system will be expelled. The electric probe has a stamped marking at the end near the exit of the cable that indicates its position in relation to the brass body, this allows for the correct assembly of the bulb "reed"; in case of removal or repair, follow this mark because the wrong positioning could damage the probe.

ELECTRICAL

The electric circuit is controlled by a reed switch. Current or voltage in excess of the allowable limits will substantially reduce the life of the switch, causing sticking or cratering of the contacts. It is necessary to consider any inductive loads in which the start-up current might be 10–12 times the rated current. The breaking of the inductive loads may reach thousands of volts. Pay attention to situations of overload and overvoltage, which are present at make (the closing of the circuit), and break (opening of the circuit).



ELECTRICAL SPECIFICATIONS

Max voltage:	250 V	Room temperature:	167° F
Length of cable:	48 in.	Electric wire:	3 x 0.75 mm ²
Max commutable power:	50 VA	Type of action:	SPST

PROBLEMS & SOLUTIONS

PROBLEMS	PROBABLE CAUSES	SOLUTIONS
The piston does not move	Insufficient flow	Check for supply and restriction to flow
	Faulty assembly	Re-assemble considering the flow direction
	Foreign material on the piston	Clean and install a filter
Electric signal missing	Reed damaged	Replace and install a protection circuit
	Disconnected wires	Check and re-set connections
	Electric probe out of phase or displaced	Check and re-set probe