

### FEATURES

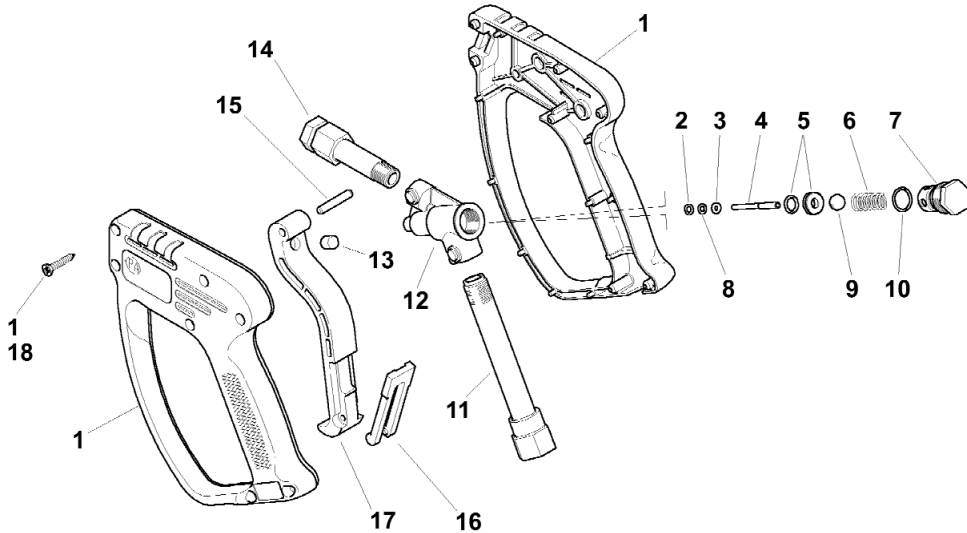
- Comfortable Impact Resistant Housing
- Forged Brass Body with Stainless Wetted Parts
- Ceramic Ball for Excellent Corrosion Resistance
- Trigger Lock to Prevent Accidental Activation

### SPECIFICATIONS

<b>Part Number</b>	<b>YG5000C</b>
Maximum Volume	10.5 GPM
Maximum Discharge Pressure	5000 PSI
Maximum Fluid Temperature	320°F
Inlet Port Thread	3/8" BSP-F
Discharge Port Thread	1/4" BSP-F
Weight	1.6 lbs
Dimensions	7" x 5" x 1.25"
Materials	Stainless Steel, Brass, Viton, Plastic, Ceramic



### PARTS LIST



Item	Part Number	Description	Qty
<i>KIT</i>	<i>Y30256324</i>	<i>Repair Kit</i>	<i>1</i>
1	Y30250124	YG5000C plas.housing kit	1
2	Y10401800	Back ring 3.2 x 7.5 mm	1
3	Y14351100	Sst washer 3 x 7 mm	1
4	Y30251651	Pin	1
5	Y30170820	6 mm seat+O-ring	1
6	Y30259651	Sst spring	1
7	Y30259531	M 16 plug	1
8	Y10316500	O ring 2.62 x 2.84 mm	1
9	Y14744878	Ceramic 5/16" ball	1

Item	Part Number	Description	Qty
10	Y10302002	O-ring 1.5x10 mm	1
11	Y30253335	3/8 Bsp F tube	1
12	Y30259735	YG5000C brass body	1
13	Y30067584	Striker 8x7.1mm. plastic	1
14	Y30200635	1/4 Bsp 72 mm tube	1
15	Y30251731	5 mm pin	1
16	Y30151084	Safety latch, Black	1
17	Y30250684	Trigger	1
18	Y16307700	3.5 x 18 mm screw	7