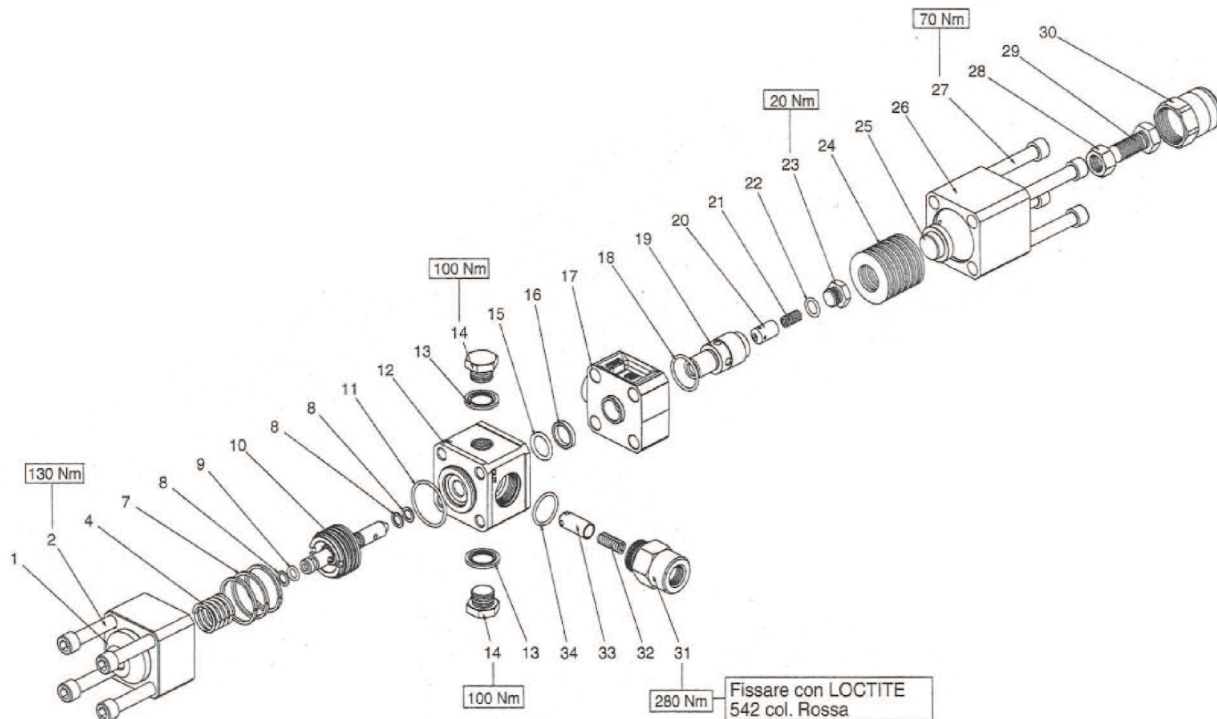




SPECIFICATIONS

Part Number	ZKX600
Maximum Pressure	8700 PSI
Maximum Flow	16.0 GPM
Port Sizes:	
Inlet	1/2" BSP-F
Outlet	1/2" BSP-F
Bypass	1/2" BSP-M
Shipping Weight	17.6 lbs

PARTS LIST



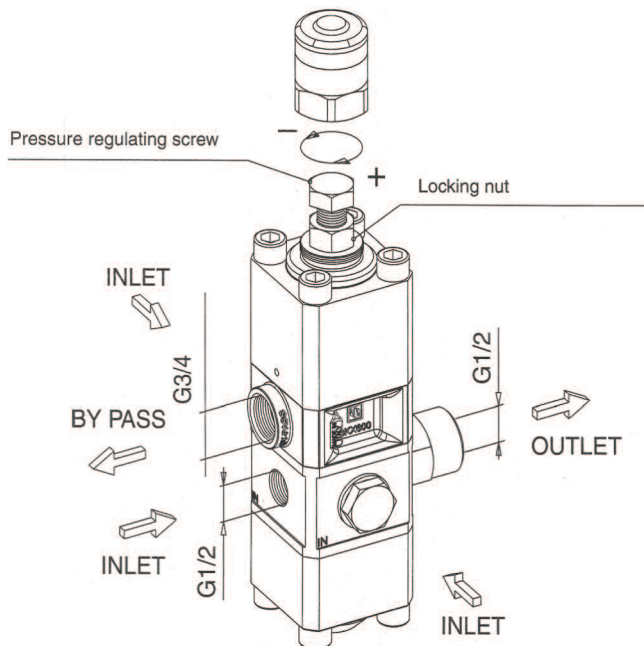
ITEM	PART NO.	DESCRIPTION	QTY.	ITEM	PART NO.	DESCRIPTION	QTY.	ITEM	PART NO.	DESCRIPTION	QTY.
1.	36312066	Lower Valve Body	1	14.	98218100	Plug, G1/2" x 13	2	24.	94858500		12
2.	99438700	Screw, M12 x 70	4	15.	90404100	O-ring, Ø 22 x 3,53	1	25.	36312766		1
4.	94757200	Spring, Ø 26.2 x 28.5	1	16.	90513200	Anti-extrusion Ring	1	26.	36312366	Upper Valve Body	1
7.	92777600	Piston Ring	3	17.	36312241	Intermediate Valve Body	1	27.	99445000	Screw, M12 x 1.75	4
8.	90505200	Anti-extrusion ring	3	18.	90386500	O-ring, Ø 29.82 x 2.62	1	28.	92256500	Nut, M16 x 1.5	1
9.	90381900	O-ring, Ø 13 x 2.62	1	19.	36335866	Valve Seat	1	29.	99513600	Screw, M16 x 1.5	1
10.	36711101	Piston Assembly	1	20.	36335966	Valve	1	30.	36313270		1
11.	90387700	O-ring, Ø 39.34 x 2.62	1	21.	94735800	Spring, Ø 8.5 x 22	1	31.	95273000	Reduction Nipple	1
12.	36312166	Intermediate Valve Body	1	22.	90383000	O-ring, Ø 13 x 2.62	1	32.	94736500	Spring, Ø 8.8 x 31	1
13.	93197200	Washer, Ø 20 x 26 x 4	2	23.	98210100	Plug, G3/8" x 9.5	1	33.	36312566	Nozzle	1
								34.	90386100	O-ring, Ø 26.65 x 2.62	1

ZKX600

GENERAL PUMP *A member of the Interpump Group*

Automatic Regulating Valve

DIMENSIONS



INSTRUCTIONS

**In order to obtain a correct pressure adjustment, strictly follow the instructions below.
The #'s listed refer to those shown in the parts list.**

1. Loosen the nut (#28).
2. Unscrew the regulating knob (#30), in order to begin the adjustment starting from the minimum pressure.
3. Start the system making sure that opening/closing devices (gun, solenoid valve, etc.) are open.
4. After checking that the system is fully loaded, gradually tighten the knob (#30) until you reach the desired pressure. In order to stabilize the components (seals, springs, etc.) open and close the controls a few times, check the pressure again and correct it if needed.
5. Tighten the nut (#28).

SAFETY AND OPERATING INSTRUCTIONS

1. Installation must be done in compliance with the local regulations in the country where the pressure regulator is installed and used.
2. Use clean water only; in the case of water containing solid particle of a size exceeding 15µm, the internal components of pressure regulator will be subject to quick wear. Furthermore, this might cause situations of danger. Should it be necessary to add detergents to the water, use only natural, non-aggressive, biodegradable products.
3. Installation and pressure adjustment must be made by qualified and authorized staff only, who must be informed of the operating and safety instructions contained in this document.
4. Never exceed the maximum values of pressure and flow rates stated by the manufacturer.
6. Should the pressure regulator be placed in areas at low temperatures, take steps in order to prevent the formation of ice inside the regulator itself. Ice damages the pressure regulator and affects its functioning, causing possible danger.
7. If, during operation, the flow rate at the by-pass is close to zero, this could cause faults and result in danger; long operation with flow in by-pass which exceeds by 20% the nominal flow rate (16 GPM), can cause premature wear to the regulator.
8. In the event that the pressure regulator is installed in a system for hot water generation, it must be placed before the boiler, at such a distance to prevent backflow of steam or very hot water from reaching it.
9. This type of regulator cannot replace the safety valve by any means. If requested by the applicable Regulations, a safety valve must be added to the system.
10. The bypass flow must be dumped at atmospheric pressure using a short hose or pipe, of the same size as the bypass port of the regulator and without obstructions; counterpressures in the by-pass tube could cause failure of the regulator.
11. After working and before performing any operation on the system, release any residual pressure.
12. Maintenance and repair must be carried out by qualified and authorized staff only. Use original spare parts only.
13. In case of disposal, do not discard the material into the environment; instead, take it to an authorized disposal center.

GENERAL PUMP 1174 Northland Drive • Mendota Heights, MN 55120
Phone: (651)454-6500 • Fax: (651)454-4524 • e-mail: sales@gpcompanies.com • www.generalpump.com

300658 Rev. A
10-08

