

FEATURES

- Professional, industrial high pressure rotating nozzles.
- Stainless steel components.
- Nozzles and seats are made of tungsten carbide.



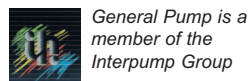
SPECIFICATIONS

PART NUMBER	2000 PSI	3000 PSI	4000 PSI	5000 PSI	6000 PSI	7000 PSI	8000 PSI	9000 PSI	10000 PSI	11000 PSI
ZRMAX112	2.02 GPM	2.47 GPM	2.85 GPM	3.19 GPM	3.49 GPM	3.77 GPM	4.03 GPM	4.28 GPM	4.51 GPM	4.73 GPM
ZRMAX113	3.32 GPM	4.07 GPM	4.69 GPM	5.25 GPM	5.75 GPM	6.21 GPM	6.64 GPM	7.04 GPM	7.42 GPM	7.78 GPM
ZRMAX114	4.44 GPM	5.43 GPM	6.27 GPM	7.01 GPM	7.68 GPM	8.30 GPM	8.87 GPM	9.41 GPM	9.92 GPM	10.40 GPM
ZRMAX115	5.71 GPM	6.99 GPM	8.07 GPM	9.03 GPM	9.89 GPM	10.68 GPM	11.42 GPM	12.11 GPM	12.76 GPM	13.39GPM

Maximum Pressure 1100 PSI
Maximum Temperature 140° F
Inlet Size 3/8" BSP-F
Dimensions Ø 1.5 O.D. x 4.1 Lg.
Weight 2.2 Lb.
Materials Stainless Steel, Tungsten Carbide

WARRANTY

General Pump accessories are warranted by the manufacturer to be free from defects in material and workmanship. Period of warranty shall be 90 days from date product is received by original buyer. Liability of manufacturer under the foregoing warranty is limited to **repair or replacement** at the option of manufacturer of that product which according to the manufacturer's investigation was deemed defective at time of shipment. Damage resulting from neglect, abuse, tampering or misapplication voids this warranty. This warranty is in lieu of all other warranties, expressed or implied, including any warranty of merchantability and/or any and all other obligations or liabilities on the part of the manufacturer.



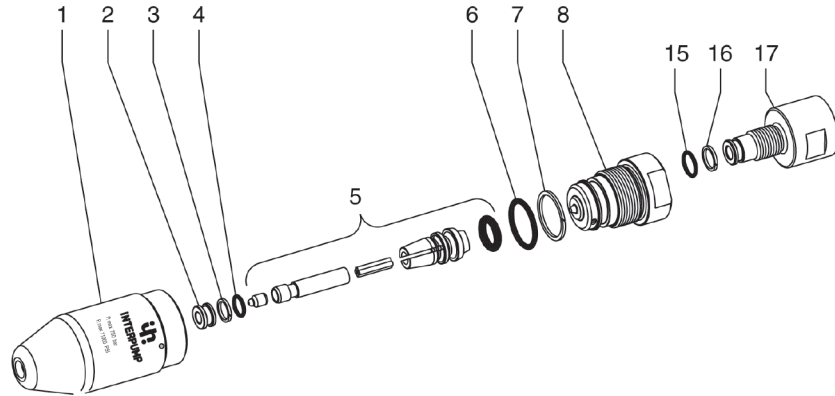
ZRMAX112/113/114/115

Industrial Rotating Nozzle

GENERAL PUMP

A member of the Interpump Group

PARTS LIST



ZRMAX112, 113, 114, 115 Industrial Rotating Nozzle

Item	Part #	Description	Qty.	Item	Part #	Description	Qty.
1.	10062366	Rotating Nozzle Body	1	7.	90515500	Anti-extrusion Ring	1
2.	10063011	Seat	1	8.	10062766	Fitting, Nipple, ZRMAX112	1
3.	90506100	Anti-extrusion Ring	1		10062666	Fitting, Nipple, ZRMAX113	1
4.	90358200	O-ring	1		10062866	Fitting, Nipple, ZRMAX114	1
5.	10739701	Rotating Tip Assembly, ZRMAX112	1		10064866	Fitting, Nipple, ZRMAX115	1
	10739601	Rotating Tip Assembly, ZRMAX113	1	15.	90358700	O-ring	1
	10739501	Rotating Tip Assembly, ZRMAX114	1	16.	90506600	Anti-extrusion Ring	1
	10740001	Rotating Tip Assembly, ZRMAX114	1	17.	10064666	Fitting, Inlet	1
6.	90385500	O-ring	1				

IMPORTANT

1. Feed the nozzle with filtered water only, at a maximum temperature of 140⁰ F.
2. Before applying pressure to the nozzle, it is necessary to follow the steps listed below:
 - a. Check that the visible parts are not deformed, damaged or cracked.
 - b. Check that the nozzle is fastened correctly onto the lance end.
 - c. Check that the nozzle components are fixed correctly to each other.
3. For safety and durability reasons, the system must be started (ON) keeping the nozzle tipped 45⁰ downward, so that the jet hits the ground first.
4. Before using the nozzle, make sure that persons, animals or things that might be damaged by the high pressure jet created by the nozzle are not within its radius of action.
5. Never direct the jet at persons or animals, even though they are at a safe distance and even though the nozzle is not under pressure.
6. When the nozzle is not in use, engage the safety lock in the OFF position; in addition to this, the nozzle must be stored taking care that it is unreachable and cannot be used by unauthorized people.
7. Before carrying out any inspection on the nozzle and before storing it, make sure that the whole circuit is totally released from possible residual pressure, even though the system is not in function.